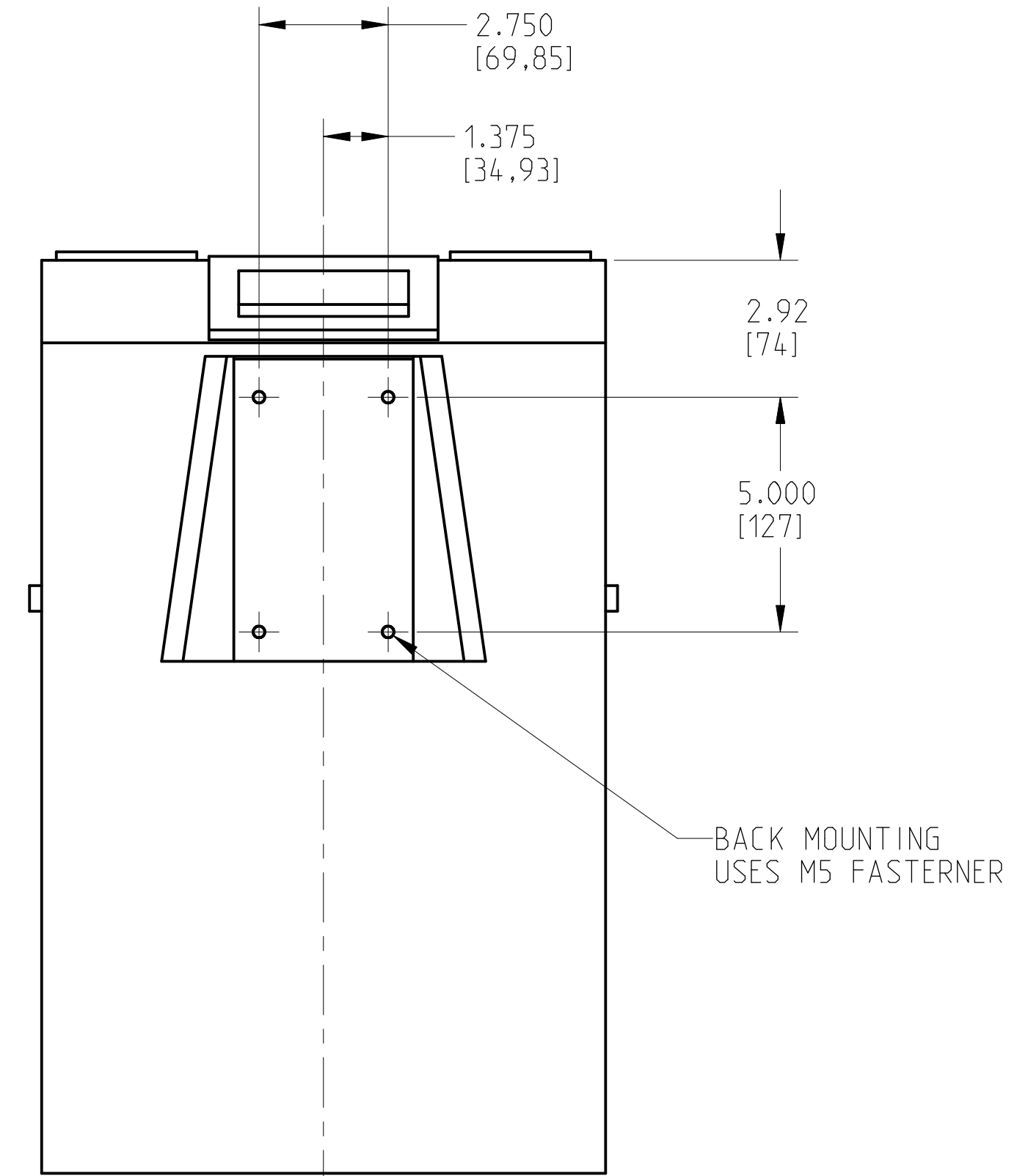
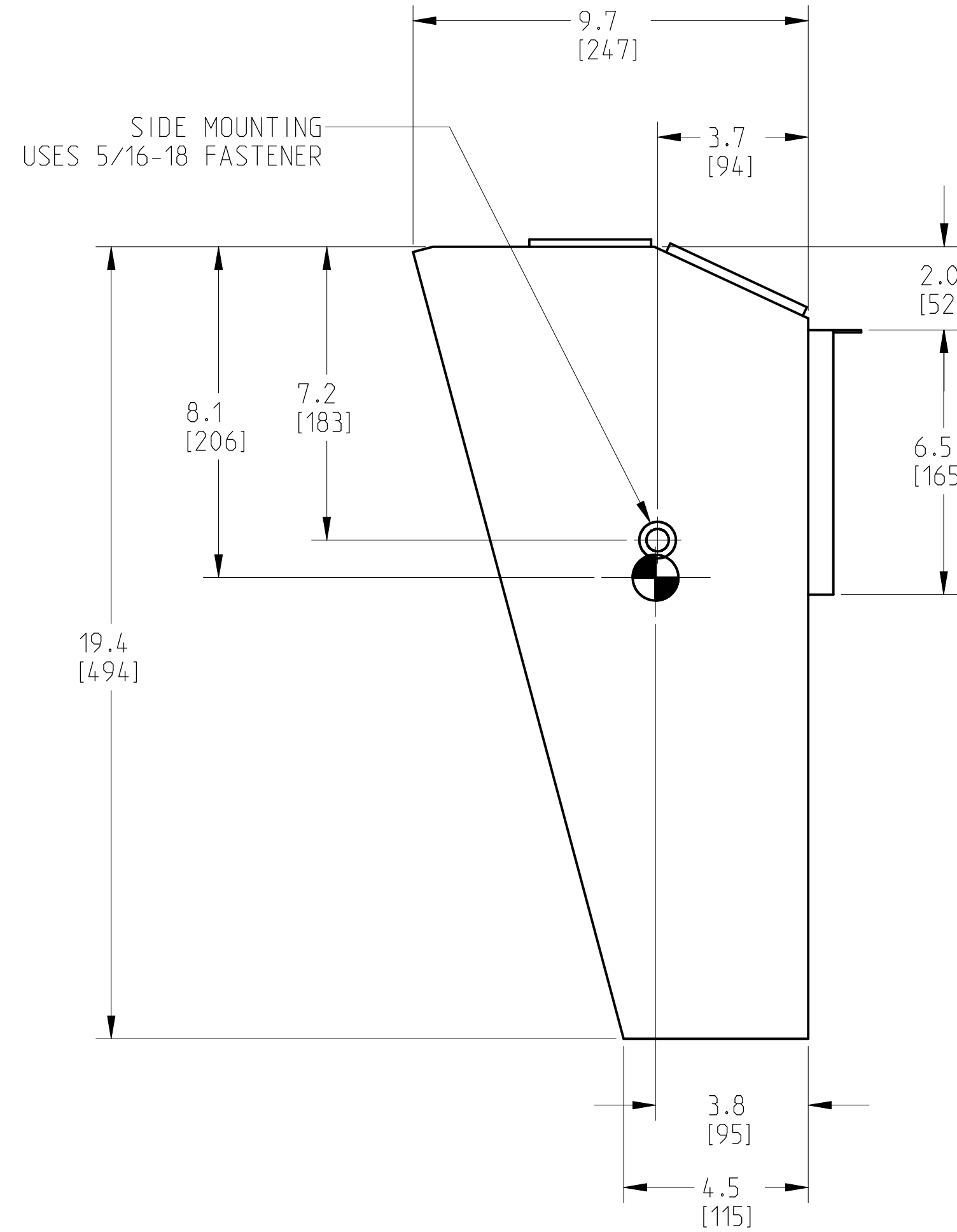
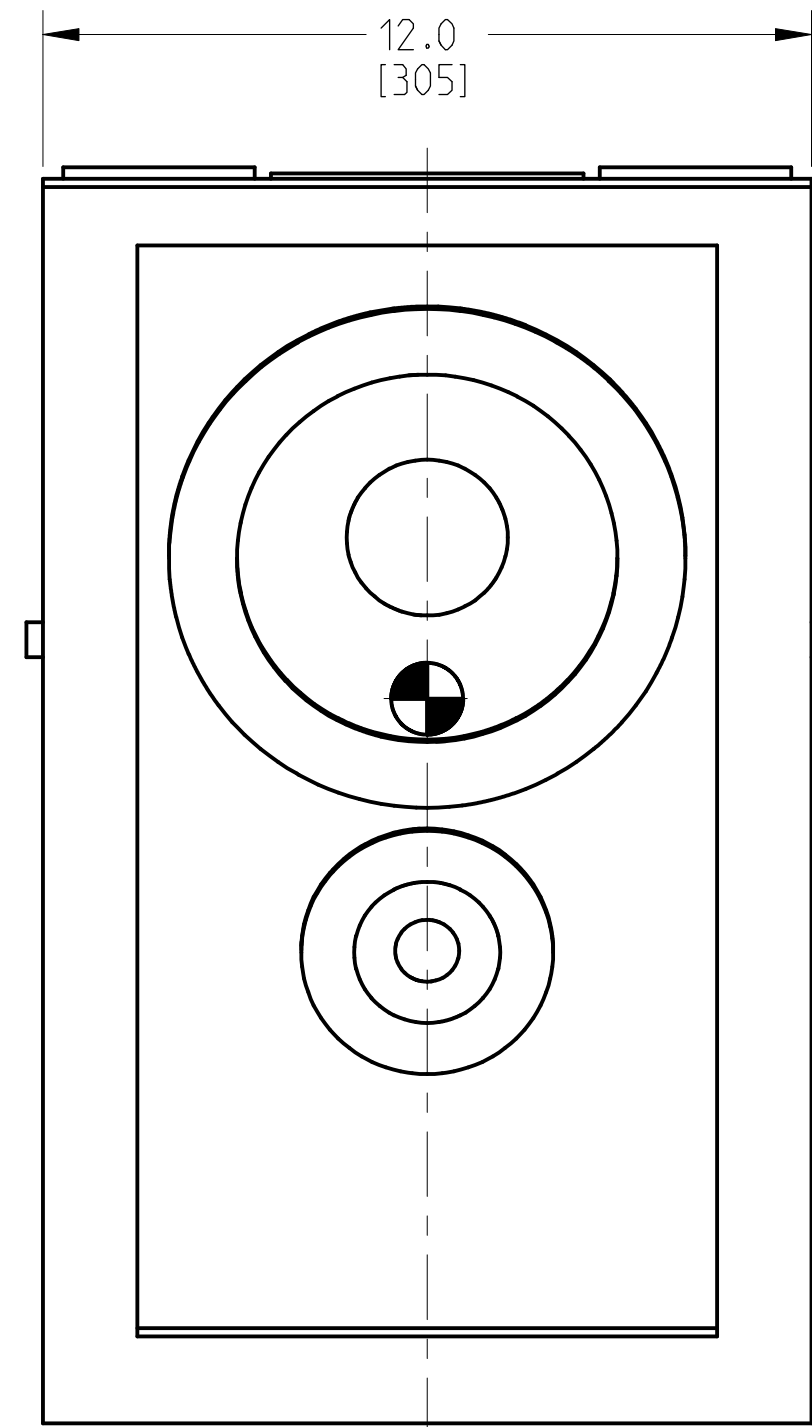
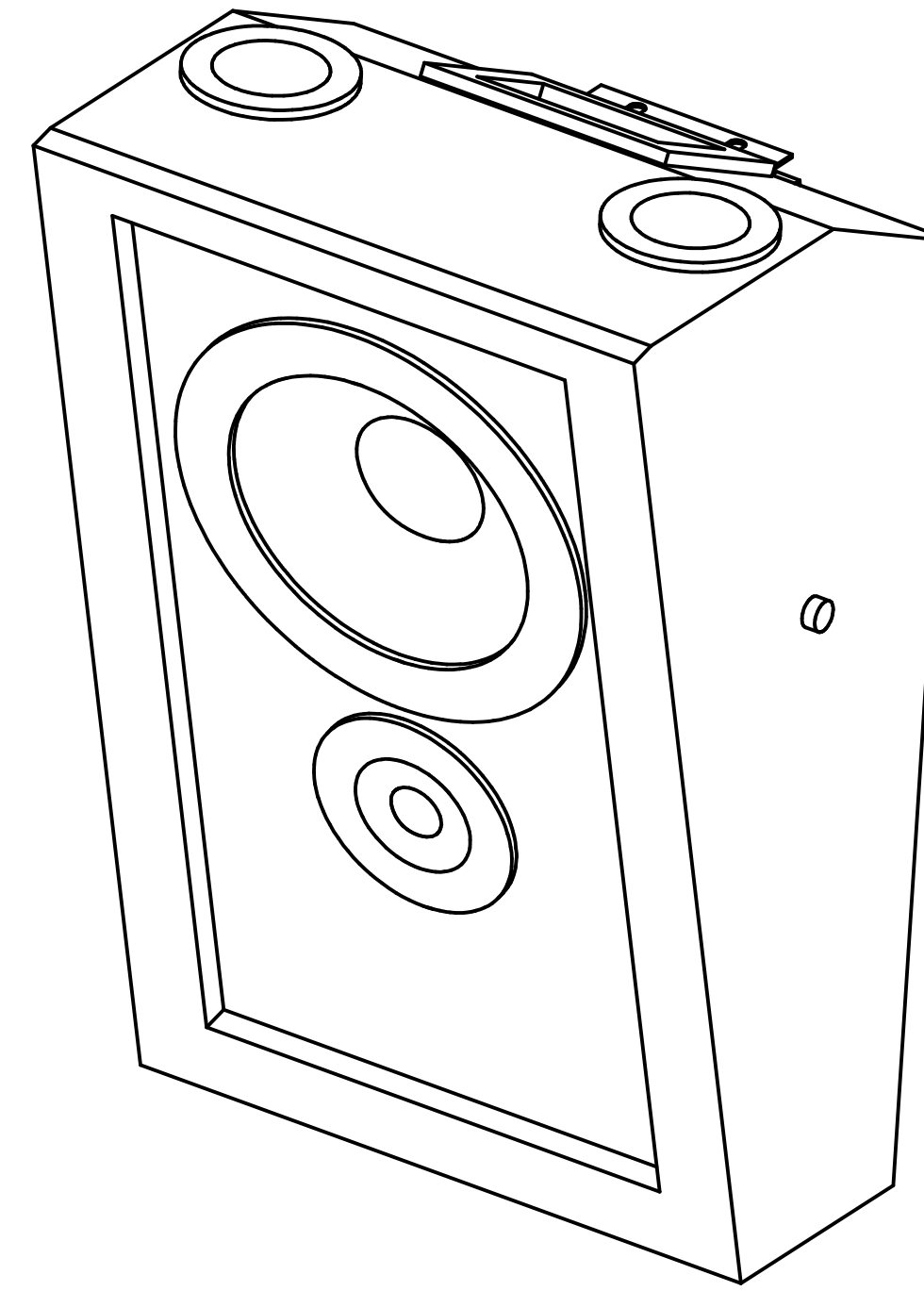
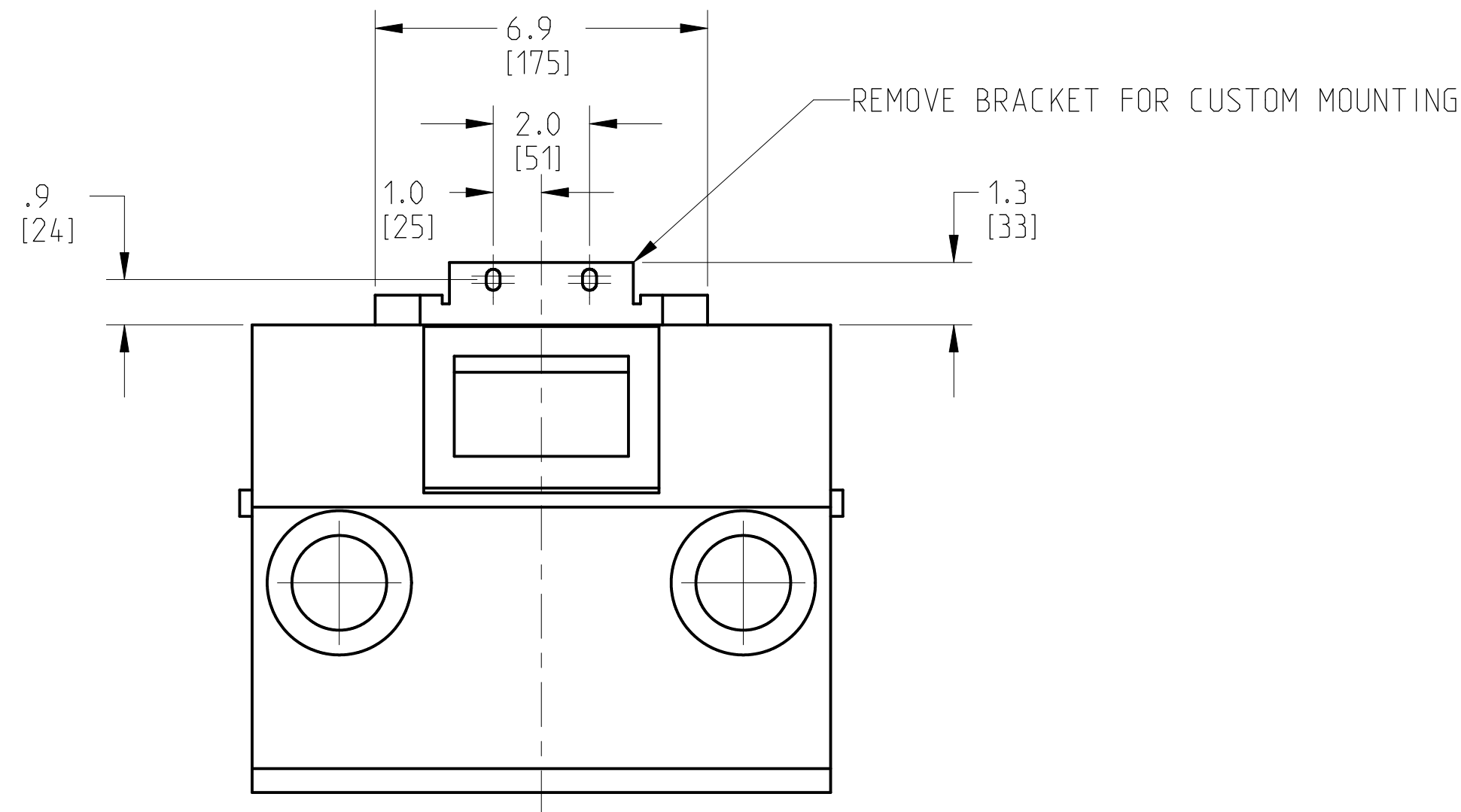


THIS DOCUMENT CONTAINS PROPRIETARY INFORMATION WHICH IS THE PROPERTY OF QSC AUDIO PRODUCTS. THAT MAY NOT BE DISCLOSED, REPRODUCED OR USED WITHOUT EXPRESS WRITTEN CONSENT FROM QSC AUDIO PRODUCTS.

REVISIONS					
REV	ECO	DESCRIPTION	BY	EFF DATE	ISSUED
A	-	RELEASE FOR MARKETING DATA	VU	14-AUG-12	DD
B	13080	ADD MOUNTING INFORMATION	VU	16-SEP-13	DD



5. PARTS ARE SYMMETRICAL ABOUT CENTER LINES UNLESS OTHERWISE NOTED.
  4. SYMBOL INDICATES CENTER OF BALANCE.
  3. SYMBOL INDICATES SUSPENSION POINT OF 5/16-18 THREAD, 2 PLACES.
  2. TOLERANCES ARE IN INCHES: .X ± .13, ANGLES: ± 1°.
  1. NET WEIGHT APPROX. 18.6 LBS (8.4 KG).
- NOTE: UNLESS OTHERWISE SPECIFIED

UNLESS OTHERWISE SPECIFIED DIMENSIONS IN INCHES (MM) TOLERANCES ARE: DECIMALS .XX ± .02 (5) .XXX ± .010 (25) ± 1/2 DECURR EDGES .010 (1.25) R MAX	APPROVALS	DATE (DD-MMM-YY)	QSC AUDIO PRODUCTS, LLC 1675 MACARTHUR BOULEVARD COSTA MESA, CA 92626 <b>SPEAKER, FINISHED, SR-8101</b>								
	DRAWN V. VU	06-AUG-12									
	CHECKED B. HAWKINS	14-AUG-12									
	MFG ENG N/A										
MATERIAL	QA CHECK N/A		<table border="1"> <tr> <td>SIZE</td> <td>CAGE CODE</td> <td>DRAWING NO.</td> <td>REV</td> </tr> <tr> <td>D</td> <td>00PW4</td> <td>FG-008102-2D</td> <td>B</td> </tr> </table>	SIZE	CAGE CODE	DRAWING NO.	REV	D	00PW4	FG-008102-2D	B
SIZE	CAGE CODE	DRAWING NO.	REV								
D	00PW4	FG-008102-2D	B								
FINISH	DRAWING INFO: FG-008102-2D.B.2	MODEL INFO: FG-008102-3D.B.0	<table border="1"> <tr> <td>SCALE: 0.333</td> <td>DO NOT SCALE DRAWING</td> <td>SHEET 1 OF 1</td> </tr> </table>	SCALE: 0.333	DO NOT SCALE DRAWING	SHEET 1 OF 1					
SCALE: 0.333	DO NOT SCALE DRAWING	SHEET 1 OF 1									