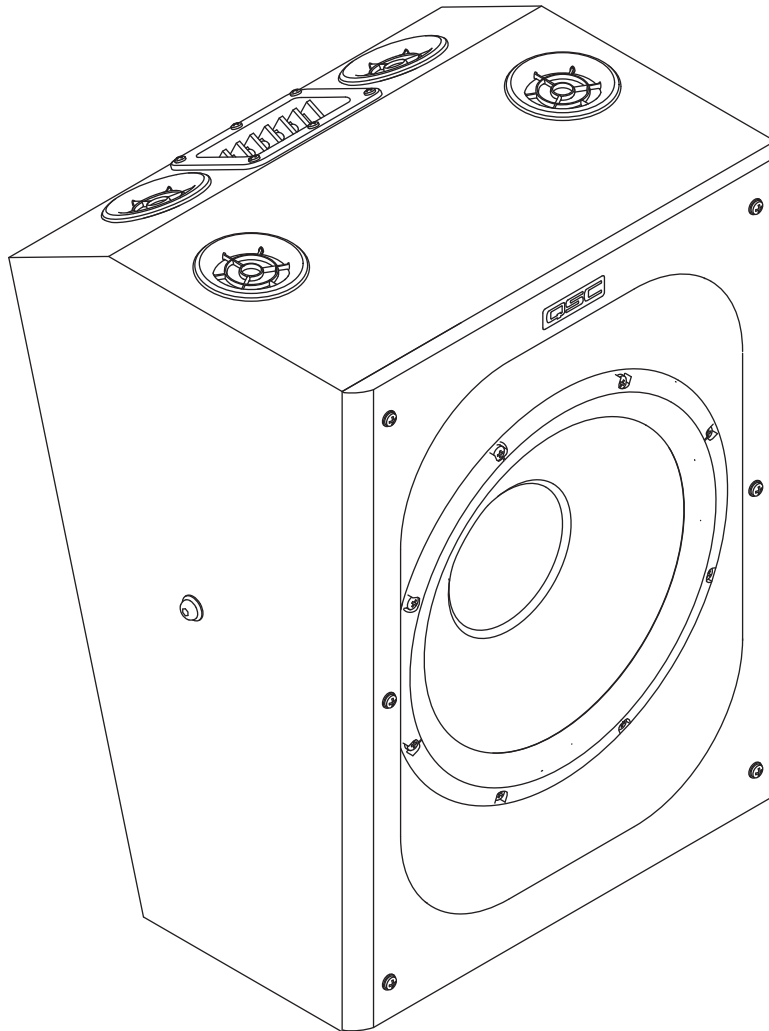


SR-1290

User Manual



SR-1290 Surround Loudspeaker



TD-000447-00-C



EXPLANATION OF SYMBOLS

The term "**WARNING!**" indicates instructions regarding personal safety. If the instructions are not followed the result may be bodily injury or death.

The term "**CAUTION!**" indicates instructions regarding possible damage to physical equipment. If these instructions are not followed, it may result in damage to the equipment that may not be covered under the warranty.

The term "**IMPORTANT!**" indicates instructions or information that are vital to the successful completion of the procedure.

The term "**NOTE**" is used to indicate additional useful information.



The intent of the lightning flash with arrowhead symbol in a triangle is to alert the user to the presence of un-insulated "dangerous" voltage within the product's enclosure that may be of sufficient magnitude to constitute a risk of electric shock to humans.



The intent of the exclamation point within an equilateral triangle is to alert the user to the presence of important safety, and operating and maintenance instructions in this manual.



IMPORTANT SAFETY INSTRUCTIONS



- Keep these instructions.
- Heed all warnings.
- Follow all instructions.
- Do not use this apparatus near water.
- Clean only with a dry cloth.
- Do not block any ventilation opening. Install in accordance with the manufacturer's instructions.
- Do not install near any heat sources such as radiators, heat registers, stoves, or other apparatus (including amplifiers) that produce heat.
- Only use attachments/accessories specified by the manufacturer.
- Refer all servicing to qualified service personnel. Servicing is required when the apparatus has been damaged in any way, such as liquid has been spilled or objects have fallen into the apparatus, the apparatus has been exposed to rain or moisture, does not operate normally, or has been dropped.
- Adhere to all applicable, local codes.
- Always keep sound pressure levels in the listening area below levels that can damage human hearing.

Warranty

For a copy of the warranty, visit the QSC Audio Products website at www.qsc.com

Para una copia de la Garantía Limitada de QSC, visite el sitio web de QSC Audio Products, en www.qsc.com

Pour obtenir une copie de la garantie limitée de QSC, visitez le site de QSC Audio Products à www.qsc.com

Besuchen Sie die Webseite von QSC Audio Products (www.qsc.com) um eine Kopie der beschränkte Garantie von QSC zu erhalten.

如果您需要QSC有限质保的复印件，请访问QSC Audio Products的网站www.qsc.com

Introduction

The SR-1290 is a high-power, compact cinema surround loudspeaker that addresses the requirements of the new immersive sound formats. It features a high-power, long-throw 12" (305 mm) low-frequency transducer with a coaxially-mounted 1.75" (44 mm) titanium diaphragm compression driver. The coaxial alignment of the drivers occupies less baffle area compared to traditional over-under driver designs, reducing the size of the cabinet while maximizing output capability. Coaxial alignment also creates a "point source" radiation characteristic, so all frequencies are perfectly aligned through the crossover region, resulting in better sound quality. Since the coaxial driver inherently produces a conical dispersion pattern, the enclosure can be rotated without any effect on the coverage pattern.

The loudspeaker's 4 ohm impedance rating allows it to draw more power from the amplifier compared to an 8 ohm loudspeaker. For object-based audio formats where each surround loudspeaker requires its own separate channel, this means more power will be delivered to each loudspeaker, allowing them to produce maximum output from lower-powered, less expensive multi-channel amplifiers.

The SR-1290 is designed for safe and secure overhead mounting. The cabinet is constructed of 15-mm Baltic birch plywood with internal bracing for superior structural integrity. The rear panel of the cabinet is fitted with six threaded insert mounting points that accommodate the standard bolt pattern for most third-party bracket manufacturers. A set of four mounting points centered on the cabinet's rear panel allows the use of a multiple angle aiming bracket for ceiling mount applications where the loudspeaker needs to be aimed directly downward. Pre-installed speaker-side hardware allows fast single-installer wall mounting, and brackets support down-angles of either 15° (standard) or 23° (optional). A traditional U-bracket (YM-400) is also available. The compact black enclosure features the same styling as our other SR family surround loudspeakers, so you can easily combine different models (for example, SR-1290 in front-screen locations and SR-1030 on side and rear walls) and maintain a consistent aesthetic appearance.

SR-1290 Package Contents

1 SR-1290 Loudspeaker
1 User Guide TD-000447

1 M6 Eyebolt
Warranty TD-000453-01

Installing the SR-1290



WARNING! Read and follow these instructions carefully. If the loudspeakers are not suspended properly, they could fall, causing personal injury and damage to the equipment.

Rules for Suspension

- Consult a Professional Mechanical or Structural Engineer, licensed in the jurisdiction of the sound system installation, to review, verify, and approve all attachments to the building or structure.
- Employ the services of a Professional Rigger for hoisting, positioning, and attaching the equipment to the supporting structure.
- Correct use of all suspension hardware and components is imperative in sound system suspension and deployment.
- Always calculate suspended loads before lifting to make sure suspension components and hardware are used within their respective load limits.
- Consult local codes and regulations to fully understand the requirements for suspended loads in the venue in which you will suspend the equipment.
- Use only the recommended brackets with the M8 and M6 installation points.
- Be absolutely certain of the integrity of any structural member intended to support suspended loads. Hidden structural members can have hidden structural weakness.
- Never assume anything! Owner or third-party supplied suspension attachment points may not be adequate for suspending the loads.

Safety Cable



WARNING! For any overhead installation, you must use safety cables (not included) attached to the structure and the loudspeaker enclosure.

1. Install an M6 threaded closed eyebolt (included) into one of the unused M6 threaded inserts on the back of the enclosure.
2. Attach one end of the safety cable to the support structure, and the other end to the eyebolt on the loudspeaker enclosure.



IMPORTANT: All eight threaded inserts must have fastening hardware (screws or eyebolt) securely installed. The insert holes are open into the enclosure. If a hole is left open it creates an air leak and the performance of the loudspeaker will be compromised. If the hardware is not securely installed it may rattle and/or fall out.

Using Integrated Mounting Points

The SR-1290 can be wall mounted or ceiling mounted depending on the requirements of the venue. The SR-1290 has eight mounting points:

- One M8 threaded insert on each side of the enclosure for wall mounting using the Yoke Mount YM-400.
- Six M6 threaded inserts on the back of the enclosure using the standard 2.75 x 5.0 inch (70 mm x 127 mm) mounting pattern.



WARNING! Be sure to read the "Rules for Suspension" on page 3 before installing the loudspeaker.

Wall Mounting

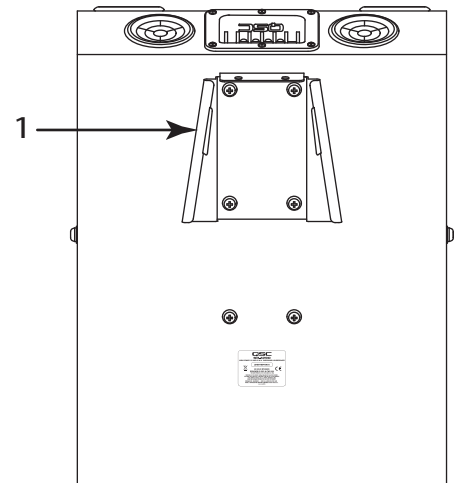
The SR-1290 comes with a pre-attached bracket, part (1), for use with the QSC QM-SW or QM-BW wall bracket (not supplied, order separately). See Figure 1.

Refer to TD-000381 "Surround Mounting Brackets" user manual (delivered with the mounting brackets), for mounting instructions.

Yoke Mounting



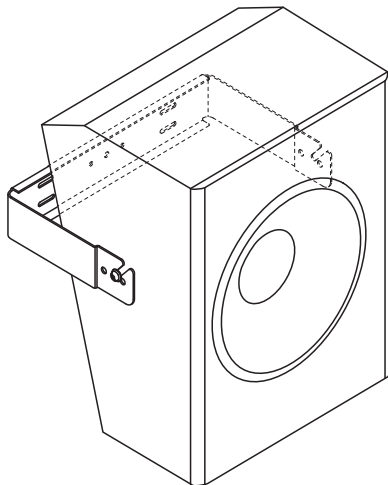
WARNING! Refer to TD-000376 "Yoke Mount Bracket" user manual (delivered with the mounting yoke), for mounting instructions. Do not use the slot in the yoke when mounting from the ceiling; use one of the two holes on either side of the slot.



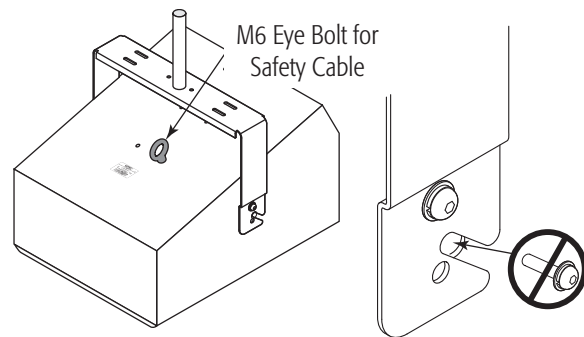
– Figure 1 –

Use the two M8 threaded insert on the sides of the enclosure to attach the YM-400 Yoke Mount for mounting on a wall. See Figure 2

In addition, you can use the YM-400 Yoke Bracket for ceiling mounting. See Figure 3.



– Figure 2 –



– Figure 3 –

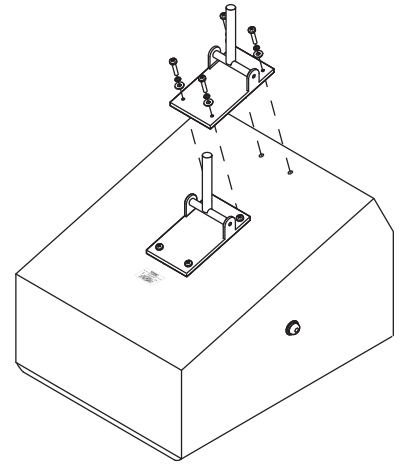
Third-party Brackets

The back panel of the enclosure has six mounting points, that conform to the standard 2.75 x 5.0 inch hole mount pattern. These six mounting points allow you to use a standard 4-hole bracket in either of two locations.

1. Use a Phillips screwdriver to remove the pre-installed bracket, part (1), on **Figure 1**.
2. Install your selected mounting bracket according to the manufacturer's instructions. Be sure to replace screws into any unused holes. (**Figure 4**)



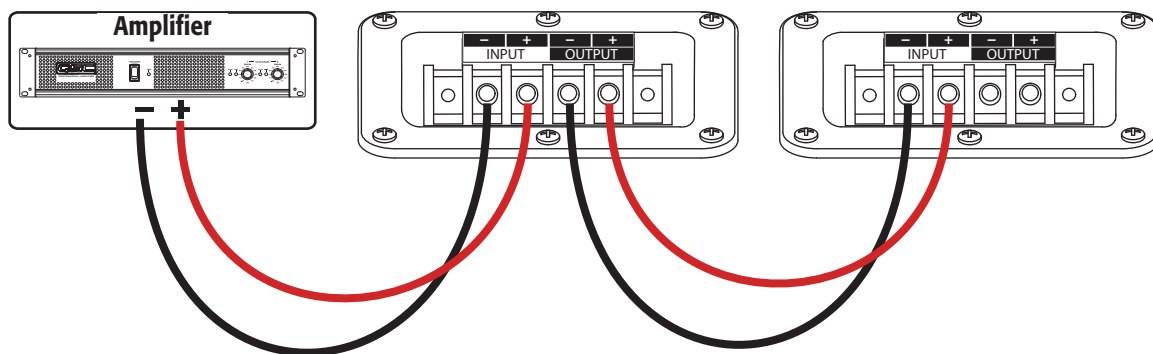
WARNING! Be sure to use a safety line as described in "Safety Cable" on page 3.



– Figure 4 –

Loudspeaker Connections

The SR-1290 is equipped with a 4-position screw-type barrier strip, which accepts up to 10-gauge bare wire or spade lugs. Inputs are labeled “-” and “+”. Be sure to maintain consistent polarity from the amplifier to the loudspeaker's input terminals. For immersive sound surround applications, each loudspeaker will be "home-run" wired to its own dedicated amplifier channel. In other applications, you may wish to parallel wire multiple loudspeakers on the same amp channel. A pair of parallel-wired output terminals allow “daisy chain” connection of additional loudspeakers; be sure to check the power amplifier's specifications to avoid loads below the amplifier's minimum rated impedance.



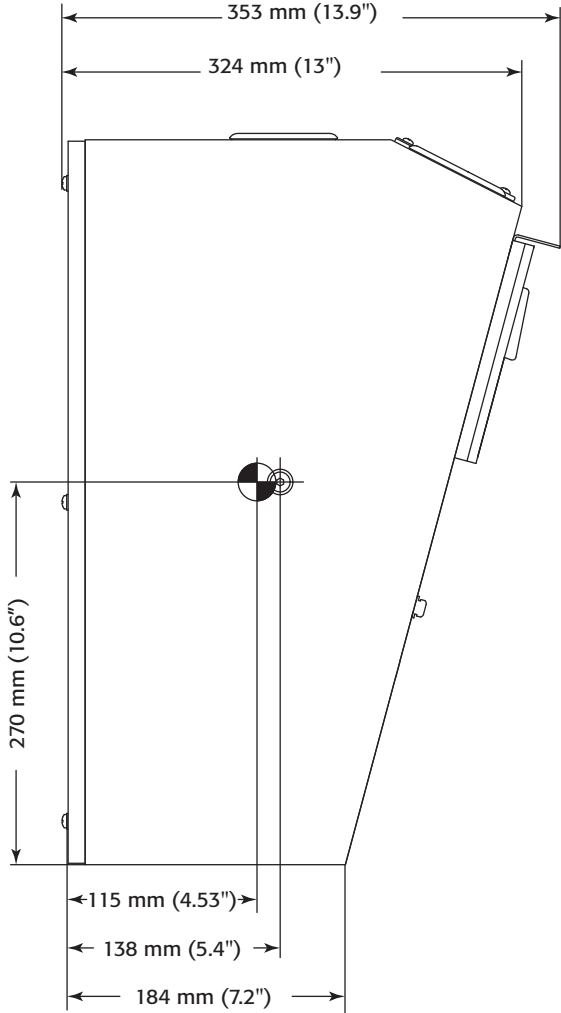
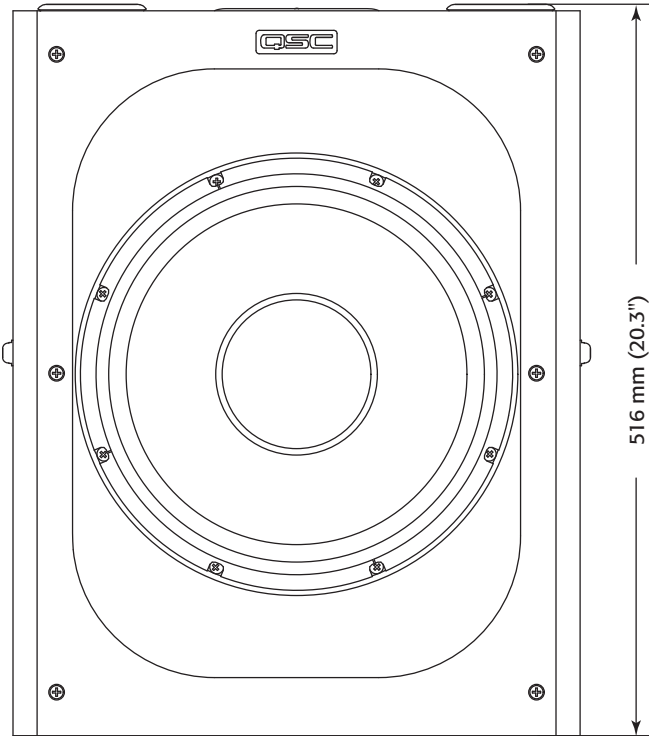
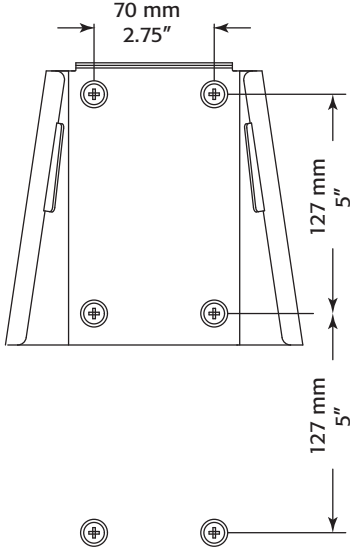
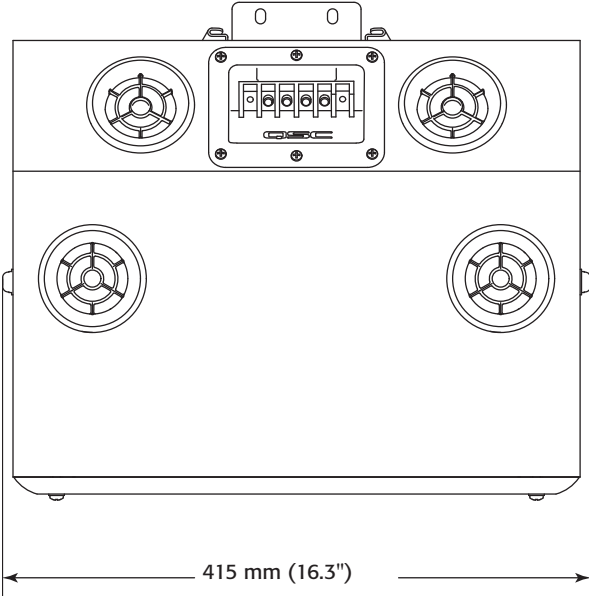
– Figure 5 –

1. After mounting the loudspeakers, connect the wiring from the amplifier (up to 10 AWG) to the - (negative) and + (positive) INPUTS of the loudspeaker's barrier-strip connector.
2. Make sure the wires are secured to the connector.
3. Secure the wiring with the proper strain relief as needed.
4. If you are connecting loudspeakers in parallel (daisy-chain), connect the wires to the - (negative) and + (positive) OUTPUTS of the loudspeaker's barrier strip connector, and the other ends to the - (negative) and + (positive) INPUTS of the next loudspeaker's barrier strip connector.



IMPORTANT: Check the power amplifier's specifications to avoid loads below the amplifier's minimum rated impedance. Make sure you maintain the proper polarity from the amplifier to each of the loudspeakers you connect. (Example: Two SR-1290 loudspeakers in parallel will yield a nominal 2 ohms impedance.)

SR-1290 Dimensions



Specifications

System Details	SR-1290
Frequency range (-10 dB) ¹	50 – 20 kHz
Rated impedance	4Ω nominal
Rated noise power ²	400 W rms
Sensitivity ³	96 dB
Maximum continuous SPL ⁴	122 dB
Maximum peak SPL ⁴	128 dB
Recommended amplifier power	800 W
Rated coverage angle (-6 dB)	90° conical (averaged from 1 kHz to 8 kHz)
	DMT
LF transducer	12" woofer, paper cone, 2.5" voice-coil
HF transducer	Compression driver, 1" exit, 1.75" voice-coil, coaxial mounted
Input connector type	4-position barrier strip, , accepts up to #10 AWG stranded wire
Enclosure Details	
Material	15 mm Baltic Birch Plywood
Grille	Black Cloth
Wall Mounting	Baffle is 15° downward for wall-mounting install using QSC QM-SW or 23° using QSC QM-BW
Ceiling Mounting	Attachment points for ceiling install using third-party mounting brackets.
Safety	Tethering point for safety line
Finish	Non-reflective black vinyl
Net weight	35 lb (16 kg)
Shipping weight	43 lb. / 19.5 kg
Product dimensions (H x W x D)	20.3" x 13.9" x 16.3" (516 mm x 353 mm x 415 mm)
Shipping dimensions (H x W x D)	23.6" x 15.7" x 18.1" (600 mm x 400 mm x 460 mm)
Optional Accessories	QM-SW, QM-BW, YM-400

¹ Free-field, -10 dB from on-axis sensitivity

² AES2-1984 noise signal for 2 Hrs

³ On-Axis, free-field sensitivity, 2.0V, 1 m

⁴ Calculated from rated noise voltage and sensitivity

As part of QSC's ongoing commitment to product development, specifications are subject to change without notice.



Mailing Address:

QSC Audio Products, LLC
1675 MacArthur Boulevard
Costa Mesa, CA 92626-1468 USA

Telephone Numbers:

Main Number: (714) 754-6175
Sales & Marketing: (714) 957-7100 or toll free (USA only) (800) 854-4079
Customer Service: (714) 957-7150 or toll free (USA only) (800) 772-2834

Facsimile Numbers:

Sales & Marketing FAX: (714) 754-6174
Customer Service FAX: (714) 754-6173

World Wide Web:

www.qsc.com

E-mail:

info@qsc.com
service@qsc.com