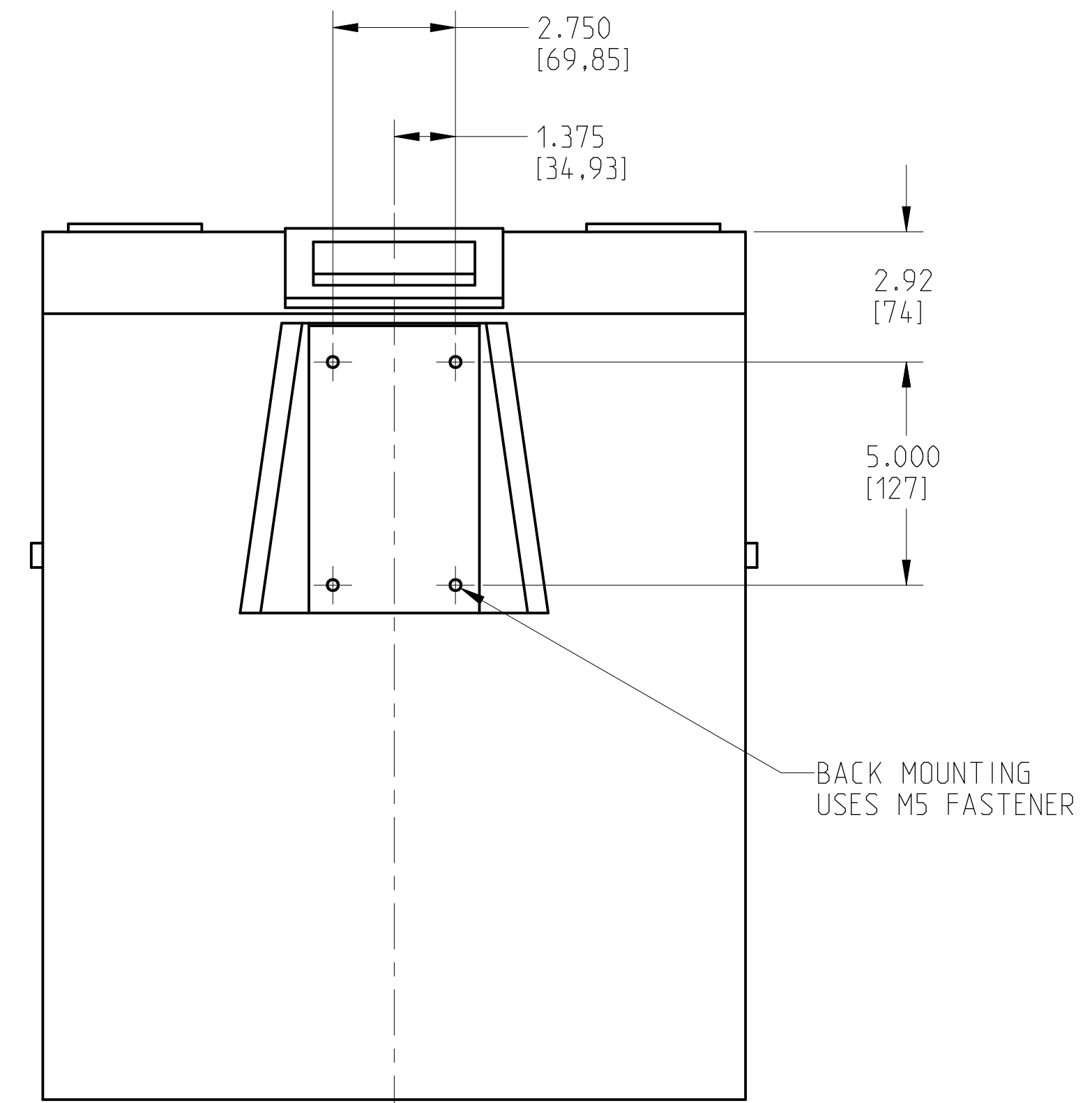
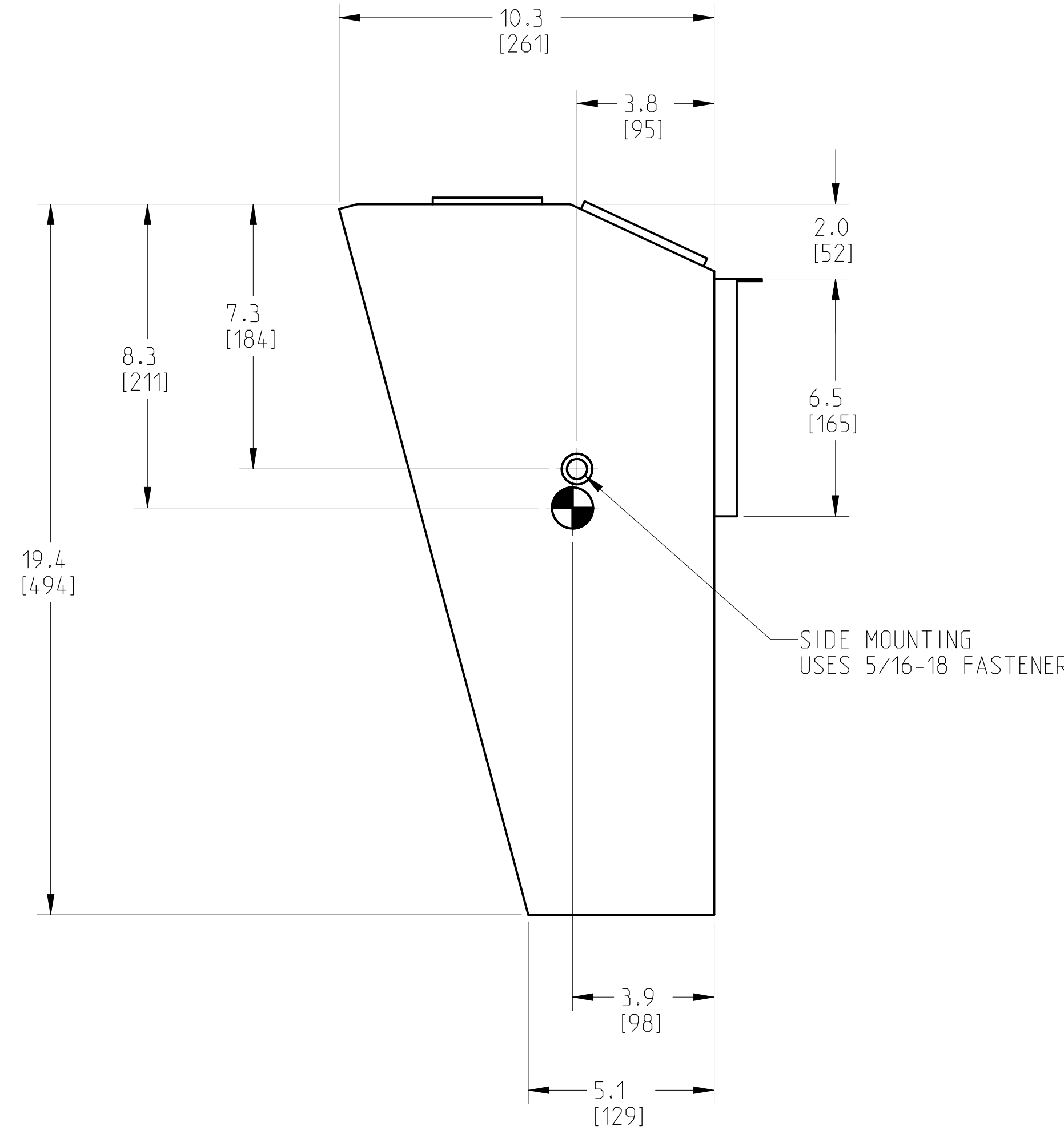
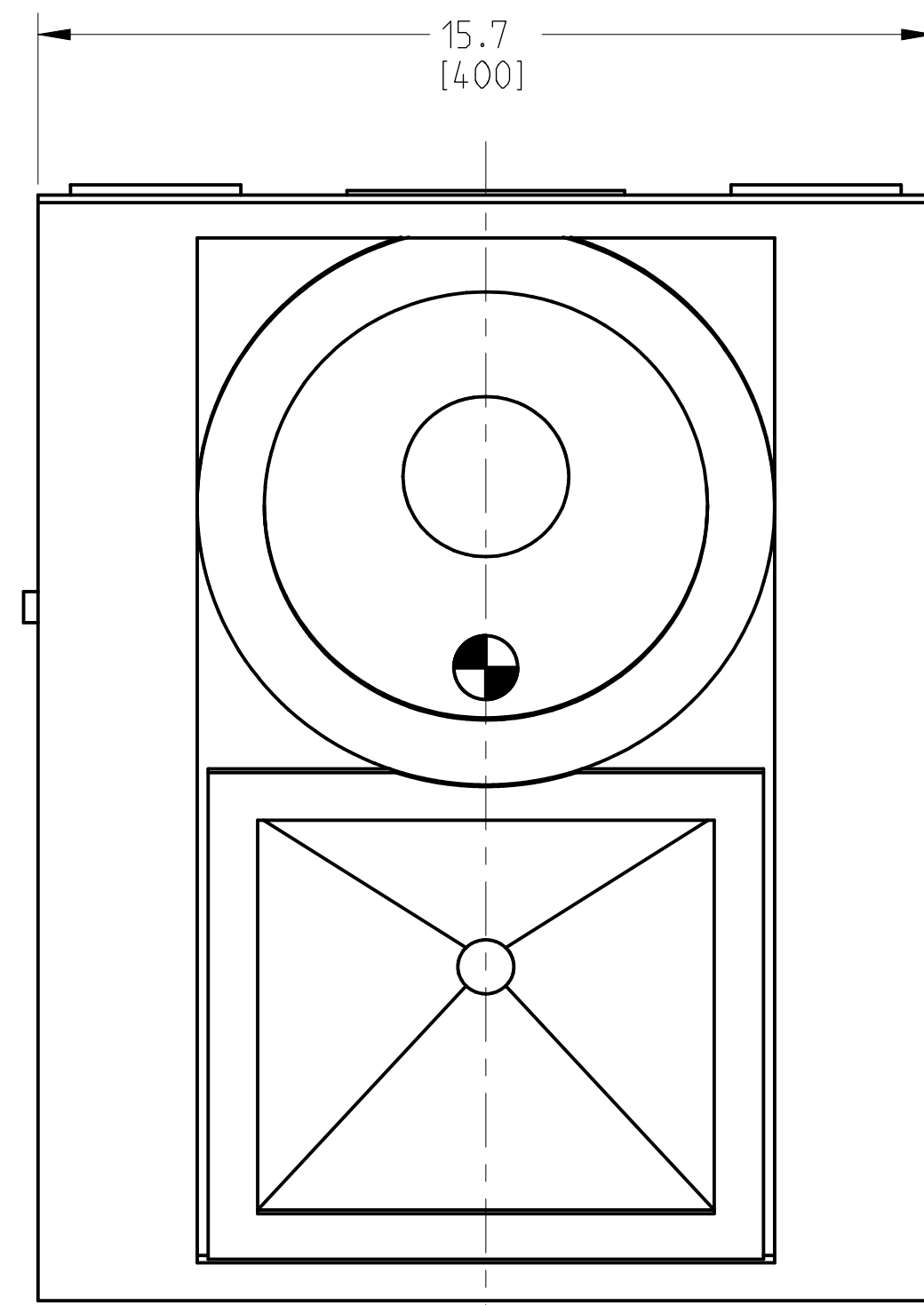
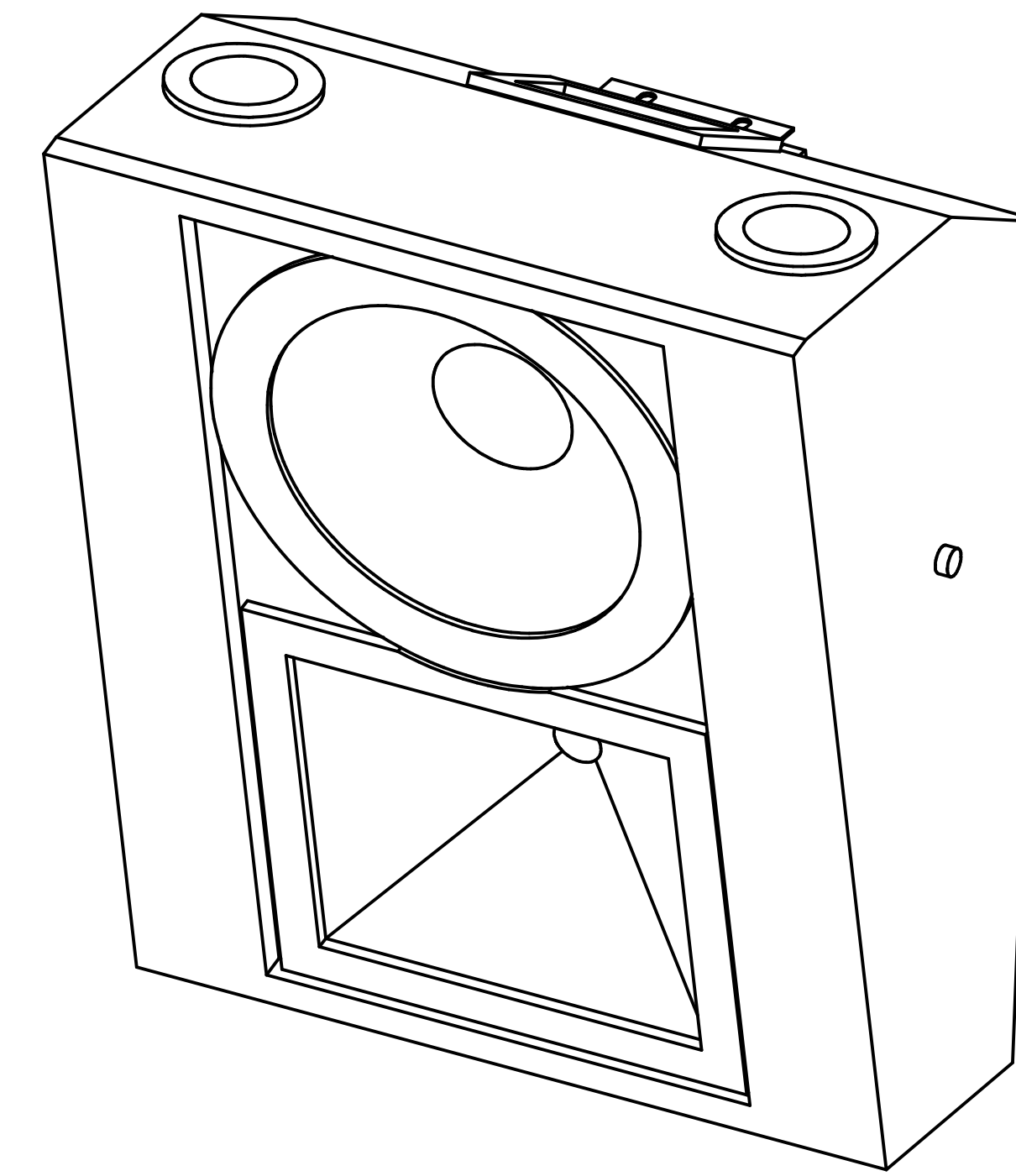
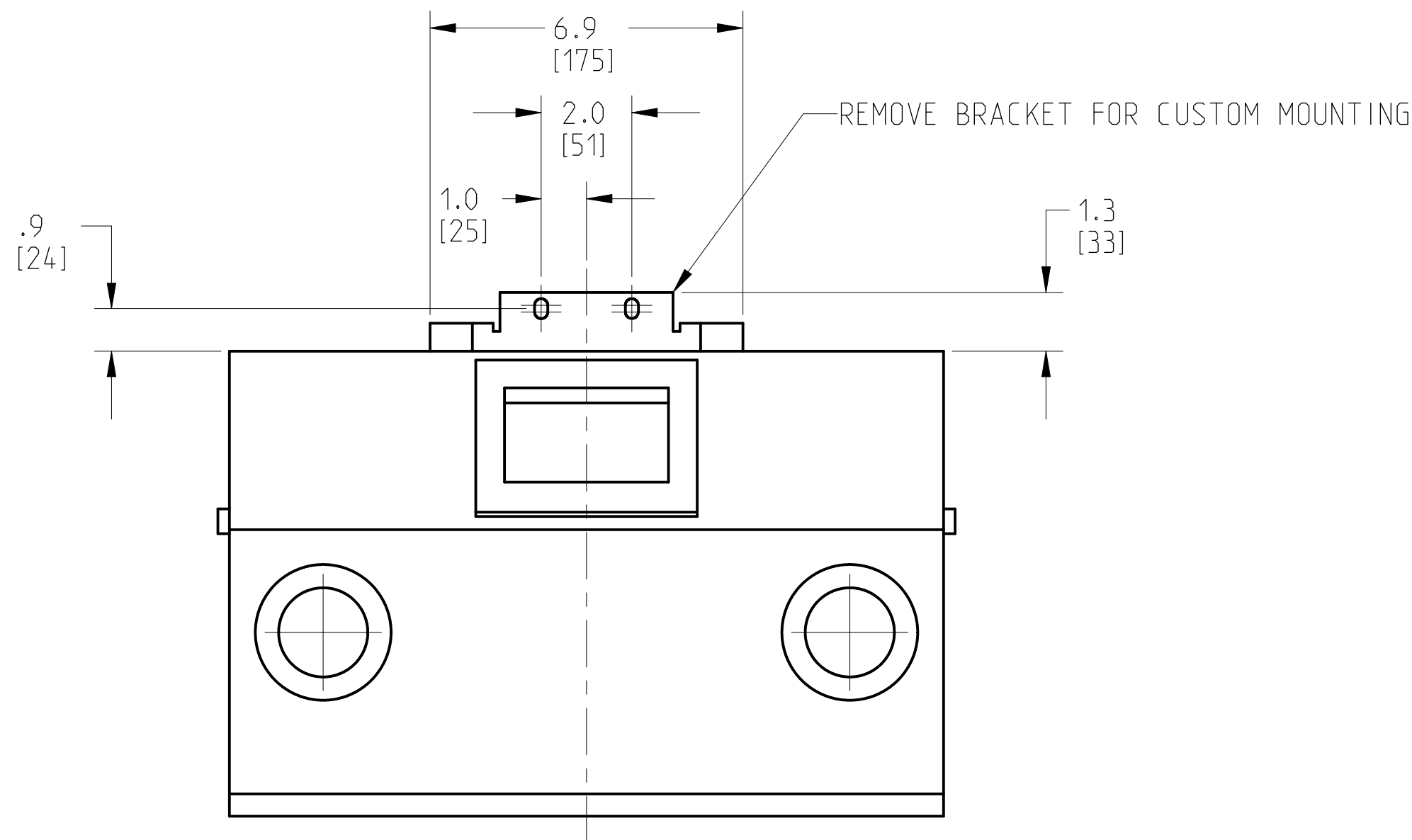


THIS DOCUMENT CONTAINS PROPRIETARY INFORMATION WHICH IS THE PROPERTY OF QSC AUDIO PRODUCTS. THAT MAY NOT BE DISCLOSED, REPRODUCED OR USED WITHOUT EXPRESS WRITTEN CONSENT FROM QSC AUDIO PRODUCTS.

| REVISIONS | | | | | |
|-----------|-------|----------------------------|----|-----------|--------|
| REV | ECO | DESCRIPTION | BY | EFF DATE | ISSUED |
| A | - | RELEASE FOR MARKETING DATA | VU | 14-AUG-12 | DD |
| B | 13080 | ADD MOUNTING INFORMATION | VU | 16-SEP-13 | DD |



- 5. PARTS ARE SYMMETRICAL ABOUT CENTER LINES UNLESS OTHERWISE NOTED.
 - 4. SYMBOL INDICATES CENTER OF BALANCE.
 - 3. SYMBOL INDICATES SUSPENSION POINT OF 5/16-18 THREAD, 2 PLACES.
 - 2. TOLERANCES ARE IN INCHES: .X ± .13, ANGLES: ± 1°.
 - 1. NET WEIGHT APPROX. 27.3 LBS (12.4 KG)
- NOTE: UNLESS OTHERWISE SPECIFIED

| | | | |
|--|--------------------------------|------------------|---|
| UNLESS OTHERWISE SPECIFIED DIMENSIONS IN INCHES (MM) | APPROVALS | DATE (DD-MMM-YY) | QSC AUDIO PRODUCTS, LLC 1675 MACARTHUR BOULEVARD COSTA MESA, CA 92626 |
| | DRAWN V. VU | 06-AUG-12 | |
| | CHECKED B. HAWKINS | 14-AUG-12 | |
| | MFG ENG N/A | | |
| DECIMALS .XX ± .02 (5) | FRACTIONS 1/16 | ANGLES ± 1/2 | SPEAKER, FINISHED, SR-1020 |
| DECURR EDGES .010 (1.25) R MAX | | | |
| MATERIAL | N/A | | |
| FINISH | QA CHECK N/A | | SIZE D CAGE CODE 00PW4 DRAWING NO. FG-001020-2D REV B |
| | DRAWING INFO: FG-001020-2D.B.1 | SCALE: 0.333 | DO NOT SCALE DRAWING SHEET 1 OF 1 |
| | MODEL INFO: FG-001020-3D.B.0 | | |