



## SB-1180

18-inch Cinema Subwoofer

### Features

- Optimized for small room cinema applications
- Requires less than 12 inches (305 mm) behind screen
- 18" (457 mm) woofer with 4" (102 mm) voice coil
- Screw-type barrier-strip connectors



For budget-conscious cinema operators, the SB-1180 extends QSC's commitment to the cinema market by offering high-quality QSC sound for small room systems. Part of the DCS Digital Cinema Speaker Series, the SB-1180 subwoofer offers a unique solution that addresses the extended low frequency requirements of E-Cinema or D-Cinema in small room applications.

The SB-1180 features a single 18" (457 mm) woofer with 4" (102 mm) voice coil for extended bandwidth low frequency reproduction. With an enclosure depth of less than 12 inches (300 mm), the SB-1180 is one of the narrowest subwoofers available, which dramatically reduces space requirements behind the screen

### Specifications

Frequency Range <sup>1</sup> (-10dB)	29 Hz to 170 Hz
Rated Noise Power (Voltage) <sup>2</sup>	600 W
Sensitivity <sup>3</sup>	98 dB
Maximum continuous SPL <sup>4</sup>	125 dB
Maximum peak SPL <sup>4</sup>	131 dB
Rated Impedance	8Ω
Maximum Recommended Amplifier Power	1200 Watts
Transducer	18 in. (457) mm woofer
<b>Enclosure Details</b>	
Input Connector	4-position barrier strip
Enclosure Material	MDF, non-reflective black vinyl
Grille	None
Dimensions (HxWxD)	35.9 x 30 x 11.7 inches (912 x 762 x 297 mm)
Net Weight	97 lb (43.5 kg)

As part of QSC's ongoing commitment to product development, specifications are subject to change without notice.

<sup>1</sup> Free-field, unprocessed, -10 dB from on-axis sensitivity

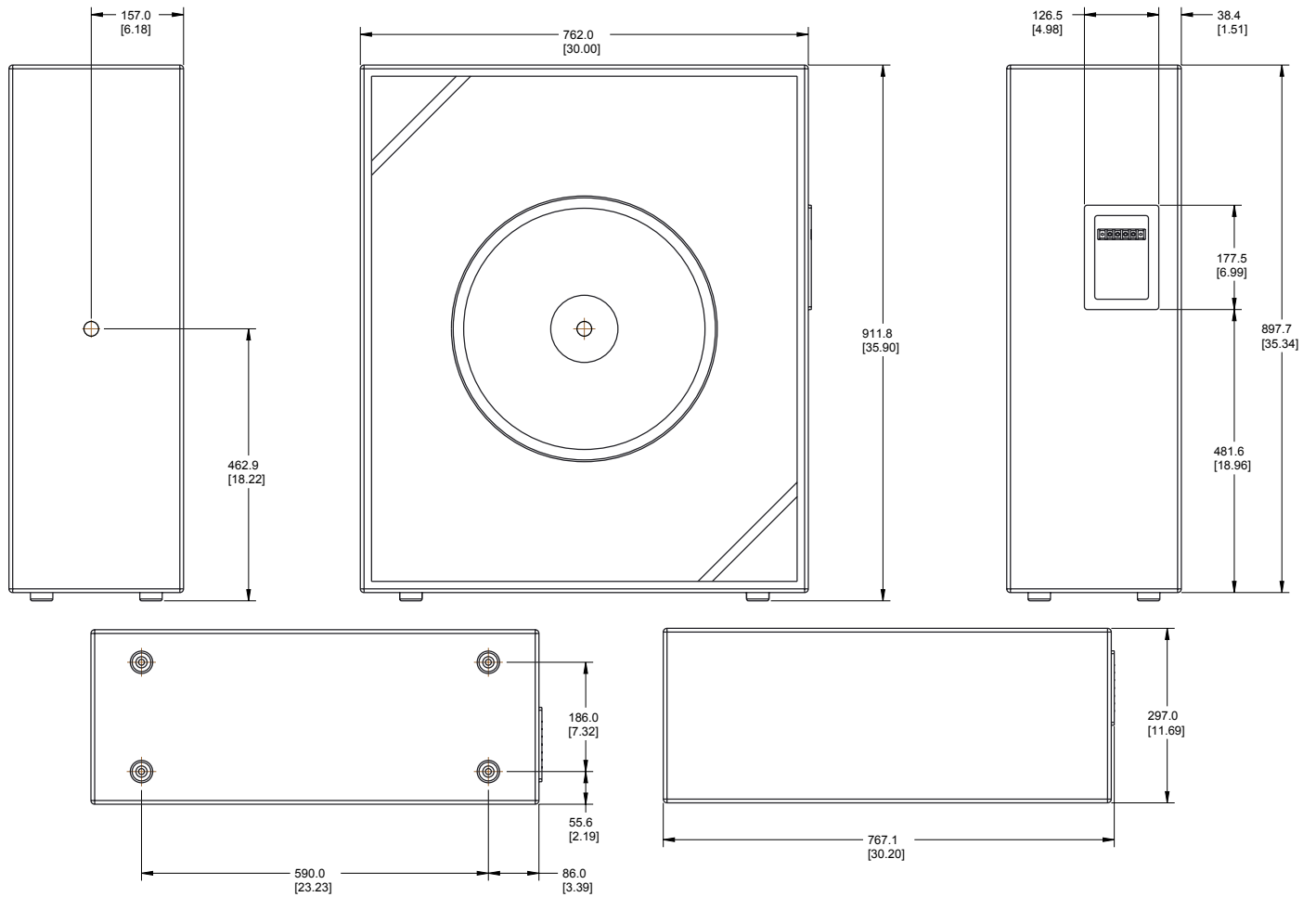
<sup>2</sup> AES2-1984 noise signal for 2 hrs

<sup>3</sup> On-Axis, free-field sensitivity, 2.83V, 1 m

<sup>4</sup> Calculated from rated noise voltage and sensitivity

# SB-1180 Details

## Dimensions:



1675 MacArthur Boulevard • Costa Mesa, CA 92626 • Ph: 800/854-4079 or 714/957-7100 • Fax: 714/754-6174

© 2018 QSC and the QSC logo are registered trademarks of QSC, LLC in the U.S. Patent and Trademark office and other countries.  
All other trademarks are the property of their respective owners. Patents may apply or be pending.

