



RSB-212

Subwoofer

Reference Monitor System

Features

- Studio reference-quality subwoofer system
- Part of the QSC Reference Monitor System, including matched screen channel loudspeaker, signal processing, and amplification
- Two long-throw 12" (305 mm) woofers with 3" (76 mm) voice coils
- M10 threaded inserts offer flexible and safe deployment options for a variety of applications
- Optional RBK-12 baffle wing system
- NL8 Speakon™ connector
- 15-ply Baltic birch plywood construction



The RSB-212 is the subwoofer component of the QSC Reference Monitor System, a high performance, studio-quality loudspeaker system designed for critical mixing, monitoring, and presentation. Each RSB-212 subwoofer is paired with a matching RSC-112 screen channel loudspeaker and factory-specified signal processing and power amplification for optimal performance when sound quality is paramount.

The RSB-212 features two specially-designed long-throw 12" (305 mm) woofers with 3" voice coils for exceptional extended bandwidth reproduction. Each woofer is loaded in its own tuned chamber.

Each RSB-212 receives customized signal processing from a matched QSC Q-Sys™ processor core. The Q-Sys core provides Intrinsic Correction™, which is a set of proprietary DSP tunings implemented in FIR filters that provide the most accurate acoustical magnitude, frequency, and phase domain performance possible. Intrinsic Correction can compensate for many causal phenomena such as the effects

of waveguide acoustical impedance and loudspeaker cone resonances, resulting in flat power response and extremely natural, uncolored sound.

Legendary QSC DCA power amplifiers deliver the precise level of amplification to get the most out of each RSB-212, producing the cleanest sound with nearly undetectable levels of distortion.

For installations where there is no baffle wall, the RSB-212 (along with the RSC-112 screen channel loudspeaker) can be installed with optional baffle wings (RBK-12) which enhance low frequency loading and minimize behind-screen reflections.

RSB-212 Details

System Details	RSB-212
Frequency Range ¹	30 Hz to 20 kHz (including RSC-112)
Rated Noise Power (Voltage) ²	1000 W / 54.8 V
Sensitivity ³	96 dB
Maximum continuous SPL ⁴	120.5 dB
Maximum peak SPL ⁴	126.5 dB
Rated Impedance	3Ω
Recommended Amplifier Power	1000 W
Transducers	2 x 12 in. (305 mm) Kevlar-reinforced paper cone woofers, 3 in. voice coils
Enclosure Details	
Input Connector	Parallel NL8: 1/to sub, 2/thru, 3/thru, 4/thru
Enclosure Material	15-ply Baltic birch plywood
Dimensions (HxWxD)	28.5" x 15.1" x 13.5" (725 x 383 x 344 mm)
Net Weight	89 lb (40.4 kg)
Optional Accessories	RBK-12 baffle wings kit

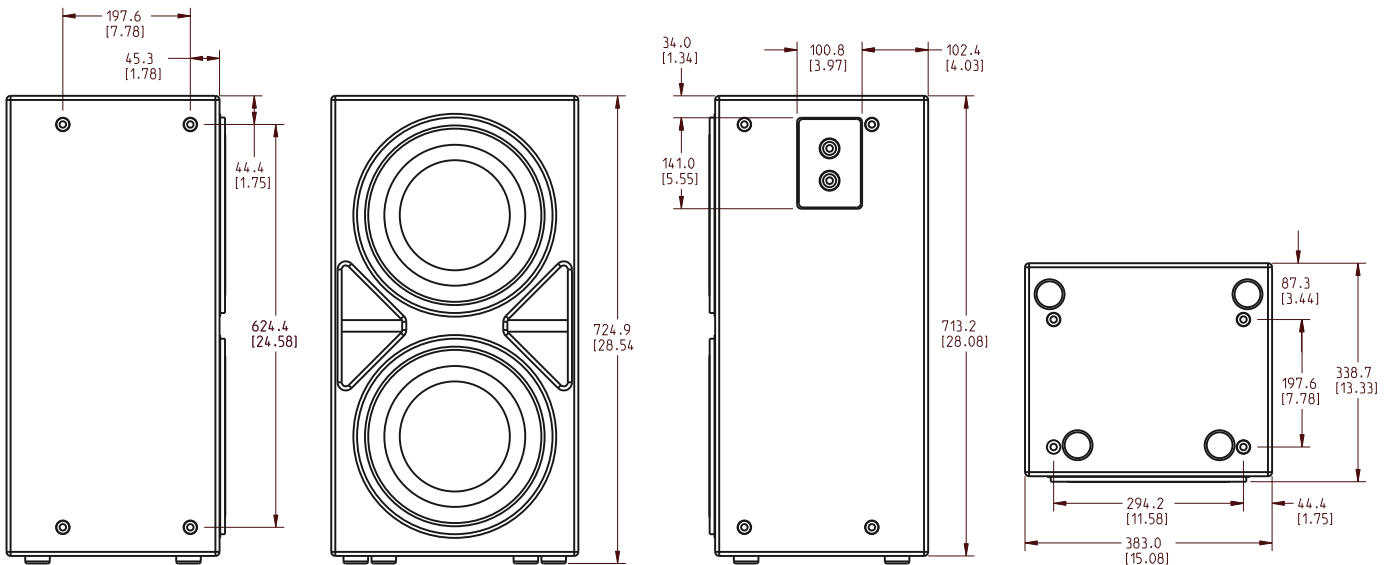
As part of QSC's ongoing commitment to product development, specifications are subject to change without notice.

¹ Free-field, unprocessed, -10 dB from on-axis sensitivity

² AES2-1984 noise signal for 2 hrs

³ On-Axis, free-field sensitivity, 2.83V, 1 m

⁴ Calculated from rated noise voltage and sensitivity



Specifications subject to change without notice.



1675 MacArthur Boulevard • Costa Mesa, CA 92626 • Ph: 800/854-4079 or 714/957-7100 • Fax: 714/754-6174



please recycle

© 2013 QSC and the QSC logo are registered trademarks of QSC Audio Products, LLC in the U.S. Patent and Trademark office and other countries. DMT, Intrinsic Correction, and Q-Sys are trademarks of QSC. Speakon is a registered trademark of Neutrik. All other trademarks are the property of their respective owners. Patents may apply or be pending.