

## Cinema Mid-High-Very High Loudspeaker System User Manual

# MHV-1090

10" (254mm) mid, coax high-very high compression driver

### Introduction

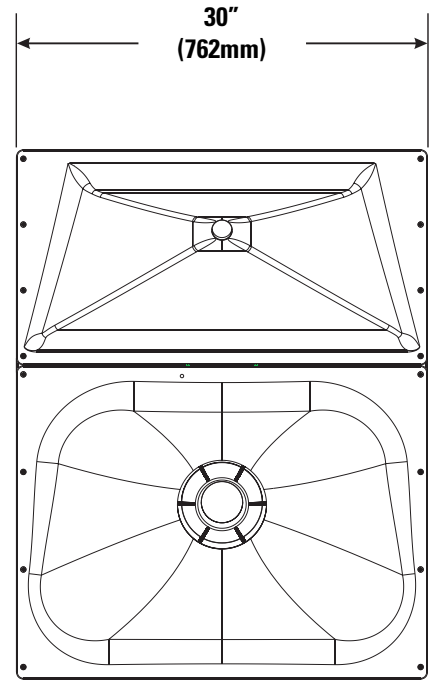
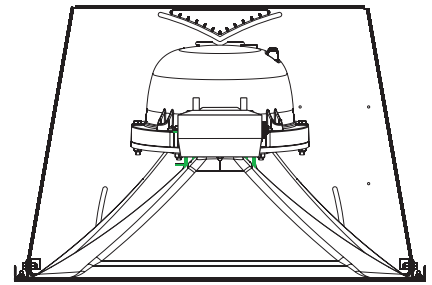
The MHV-1090 system provides the mid, high, and very high frequency components of four-way screen channel loudspeaker system for high performance cinema applications. It was designed to operate with and be directly mounted on QSC's cinema low frequency enclosures.

The high frequency horn is a low-distortion waveguide providing highly articulate dialogue without the coloration associated with conventional horn loudspeakers. Both horns feature broad horizontal and vertical coverage to ensure audio integrity is delivered to every seat in the auditorium. The driver assemblies are mounted on an adjustable pan and tilt bracket that has an integral aiming sight, simplifying installation.

The MHV-1090 includes a driver protection and high-very high frequency crossover network to assure reliable operation. DC blocking capacitors protect against DC or low-frequency signals that could damage an unprotected driver. A 12 dB per octave crossover seamlessly blends the high and very high frequency elements when operated in tri-amp mode. Outboard processing is required to form the crossover between the low, mid, and high-very high frequency drivers.

Tri-amp or quad-amp operation is possible using a selector switch mounted on the **INPUTS** connection panel. The tri-amp setting provides a built-in passive crossover network between high and very high frequency drivers. Separate amplifiers and active crossovers are required for the low, mid, high-very high frequency channels. Quad-amp setting disables the internal high-very high frequency crossover and each driver is driven independently by its own amplifier and active crossover; one each required for the low, mid, high, and very high frequency drivers.

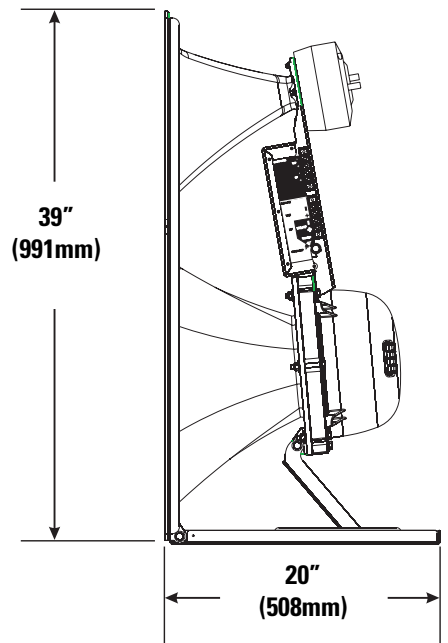
The MHV-1090 components come pre-assembled to reduce field assembly time. Three bolts are all that are required to secure the assembly to the top of a QSC low frequency enclosure.



**Install in accordance with QSC Audio Product's instructions and a licensed, professional engineer. Only use attachments, mounts, accessories, or brackets specified by QSC Audio Products, Inc. Refer all servicing to qualified personnel. Servicing is required when the apparatus has been damaged in any way.**



**WARNING! Before placing, installing, rigging, or suspending any speaker product, inspect all hardware, suspension, enclosures, transducers, brackets and associated equipment for damage. Any missing, corroded, deformed or non-load rated component could significantly reduce the strength of the installation, placement, or array. Any such condition severely reduces the safety of the installation and should be immediately corrected. Use only hardware which is rated for the loading conditions of the installation and any possible short-term unexpected overloading. Never exceed the rating of the hardware or equipment. Consult a licensed, professional engineer when any doubt or questions arise regarding a physical equipment installation.**



## Mounting

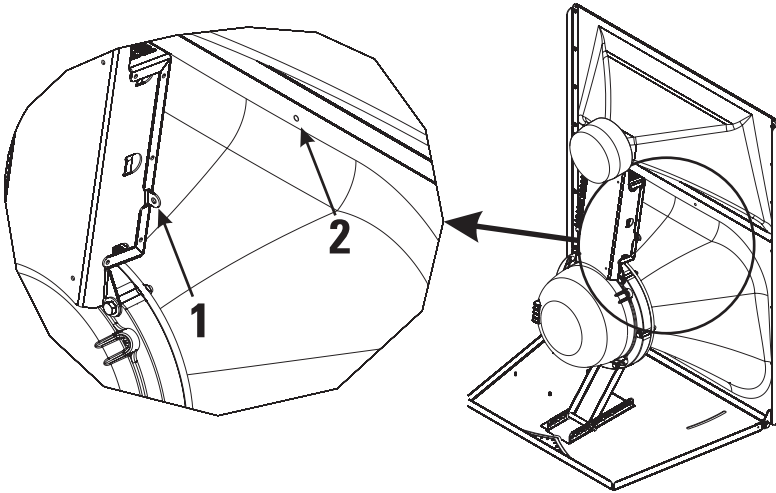
### Attaching to Low Frequency Enclosure

The MHV-1090 attaches to the top of QSC low frequency enclosures with three 0.75" long 5/16"-18 TPI bolts. ensure the use of lock washers on all bolts. The bolts and washers ship installed on the low frequency enclosure. We recommend the use of serviceable thread locking compound when installing the bolts to prevent loosening due to vibration. Do not fully tighten the mounting hardware before aiming in the horizontal plane (see below).

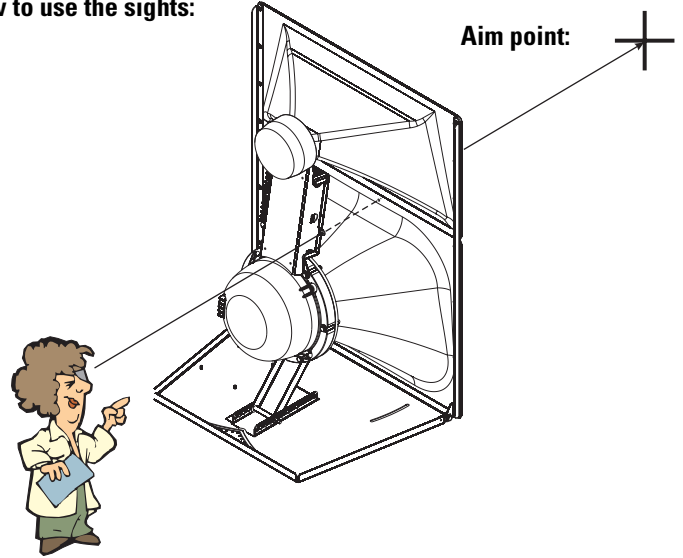
### Aiming

Aim the horn in the horizontal plane (pan) before tightening the three bolts securing the MHV-1090 to the low frequency enclosure. Adjust the vertical tilt with the vertical adjustment bracket. The mid-high assembly is equipped with an aiming sight to assist in achieving desired coverage quickly and easily. For typical applications, the aim point should be the center seat in the back row of the auditorium. If the cinema screen has already been installed, a flashlight placed at the desired aiming point can be seen through the screen perforations in a darkened auditorium.

Where the sight holes are located:



How to use the sights:



## Settings and Connections

### TRI-AMP / QUAD-AMP Operating Mode Selection

Set the operating mode selector switch to **TRI-AMP** or **QUAD-AMP**, depending on your screen channel signal processing and amplification set-up. The mid frequency driver will require connection to its rear cover terminals, regardless of mode selection. The low frequency driver will also require its own, separate connections. The only connection difference between tri-amp and quad-amp modes is in quad-amp mode, the very high frequency signal will require connection to the terminals labeled **VHF**.

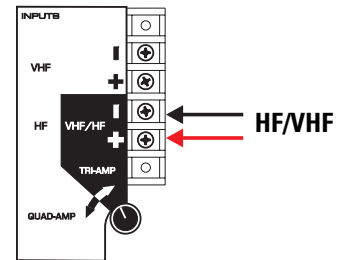
**TRI-AMP**-When set to **TRI-AMP**, the MHV-1090 input panel connections accept high frequency/very high frequency signals on one set of inputs and uses an internal crossover network between the high and very high frequency drivers.

**QUAD-AMP**- When set to **QUAD-AMP**, the MHV-1090 input panel accepts separate high and very high frequency signals on two separate sets of inputs. The internal crossover network is bypassed and only the protective circuitry for the high frequency and very high frequency driver remains. Each of the driver's signals must have the appropriate upstream signal processing.

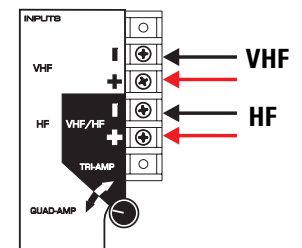


- Do not connect amplifiers directly to the high/very high frequency coaxial driver inputs!
- Always use the crossover **INPUTS** terminal strip for high and very high frequency input(s)
- The mid frequency driver and the low frequency enclosure are connected directly to their own separate amplifiers regardless of mode selector switch setting.

### Mode selector switch set to TRI-AMP and the required HF/VHF connection:



### Mode selector switch set to QUAD-AMP and the required separate HF and VHF connections:



### INPUTS Terminals

The MHV-1090 has barrier strip screw terminals that accept up to #10 AWG (5.3mm<sup>2</sup>) stranded loudspeaker wire. Observe proper polarity. Use the largest wire size and shortest wire length for the application.

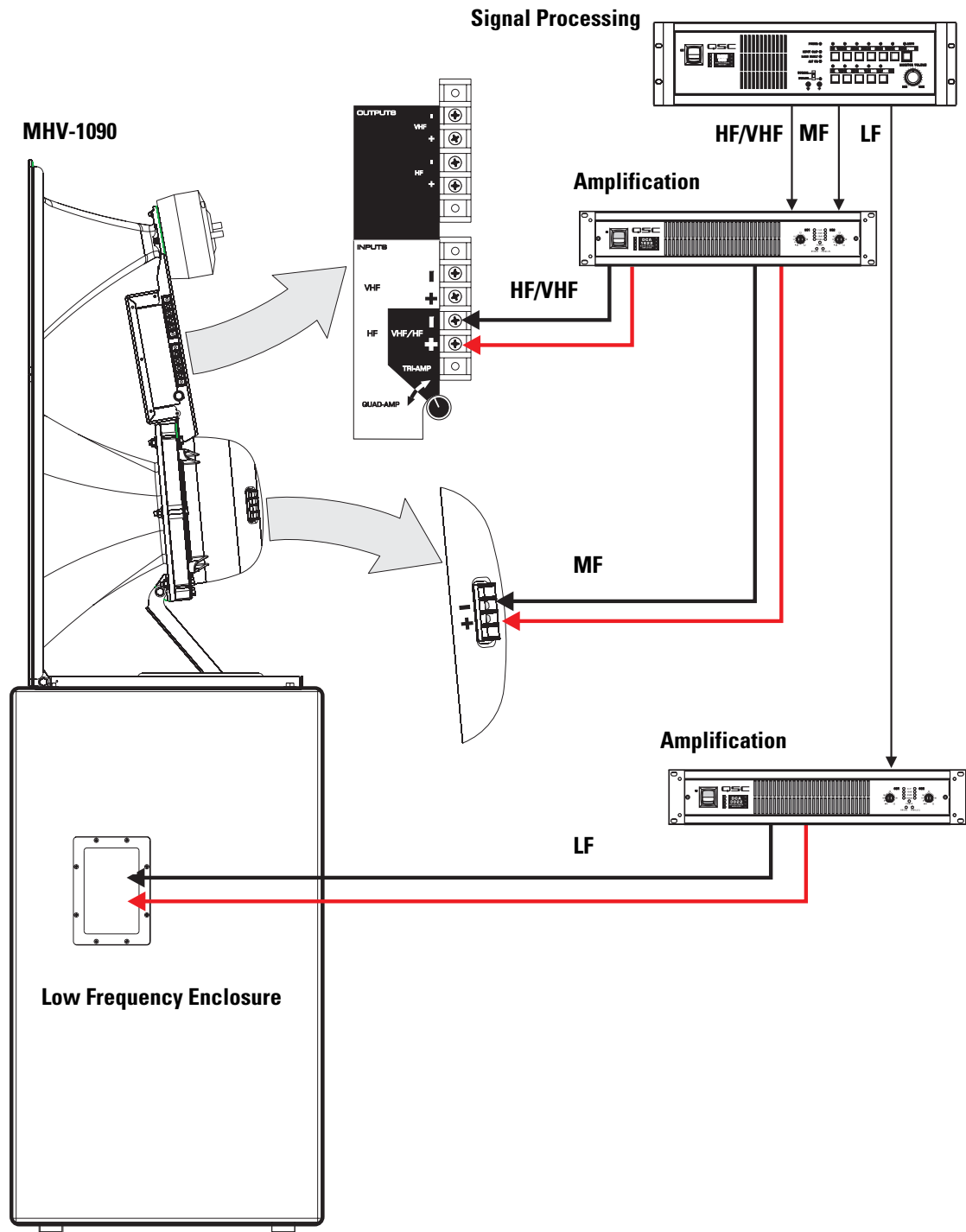
### OUTPUTS Terminals

The **OUTPUT** terminals are factory-connected to the high and very high frequency drivers. These terminals should **ONLY** be connected to their respective driver. Do not connect signals to these terminals as all protection and equalization circuitry will be bypassed. They are not for daisy chaining the signals to other drivers.

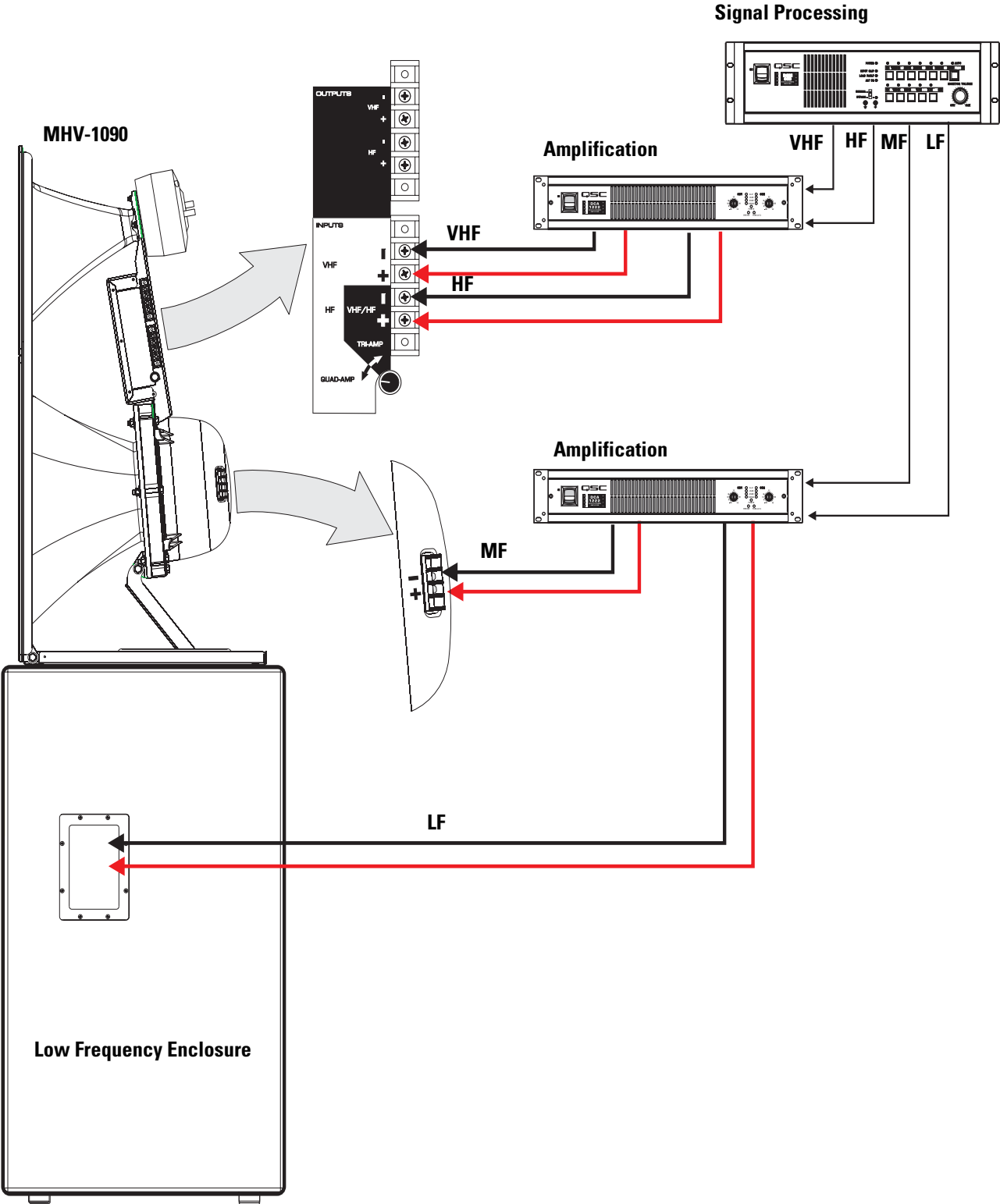


**NOTE! Maintain proper loudspeaker connection polarity throughout the entire system for maximum performance. Do not apply full range signal to the MHV-1090! There is a high/very high frequency passive crossover for tri-amp mode only. There is no crossover connected when operating in quad-amp mode. All required signal processing must be done before the signal is applied to the loudspeaker. Do not connect any signal to the upper sets of OUTPUT terminals.**

**TRI-AMP mode connections-** Ensure the mode selector switch is set to **TRI-AMP**, connect the low frequency signal to the low frequency enclosure; connect the mid frequency signal to the mid frequency driver; connect the high/very high frequency signal to the **VHF/HF** terminals on the **INPUTS** terminal strip.



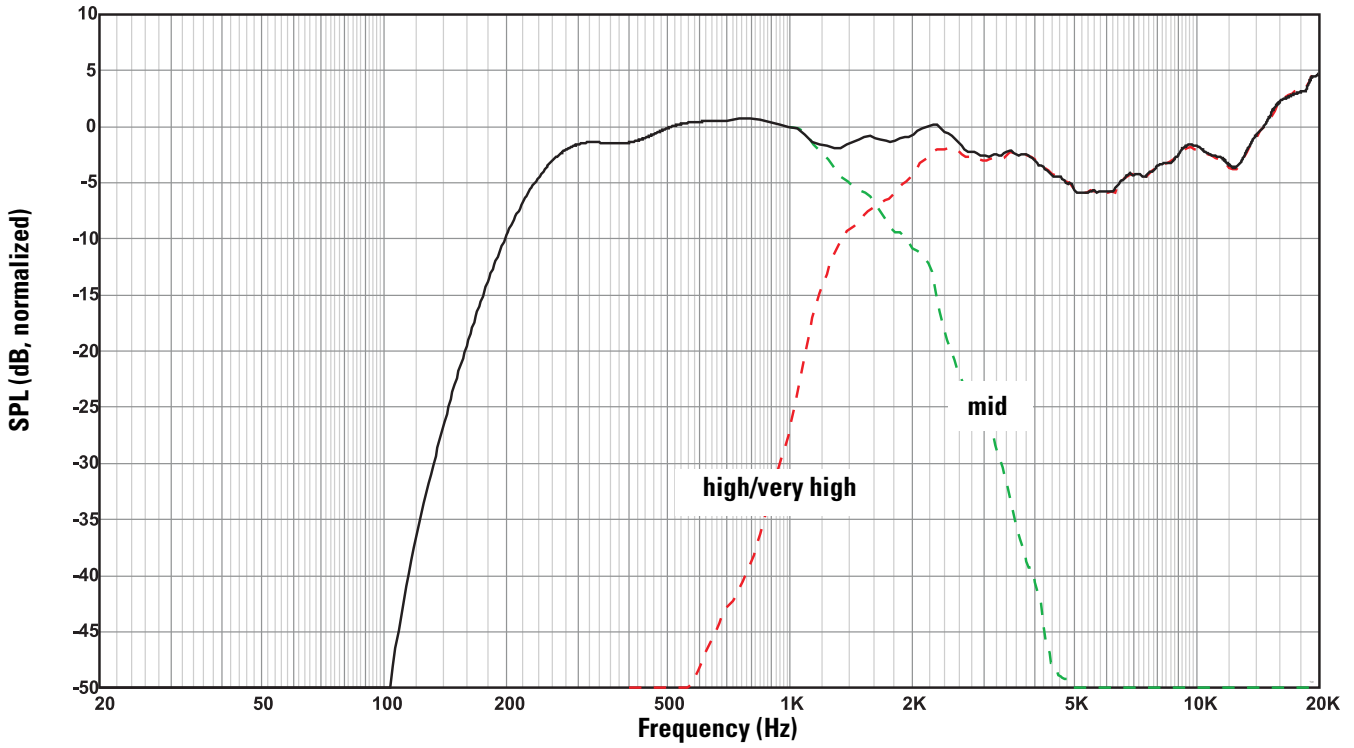
**QUAD-AMP mode connections-** Ensure the mode selector switch is set to **QUAD-AMP**, connect the low frequency signal to the low frequency enclosure; connect the mid frequency signal to the mid frequency driver; connect the high frequency signal to the **HF** terminals on the **INPUTS** terminal strip; connect the very high frequency signal to the **VHF** terminals on the **INPUTS** terminal strip.



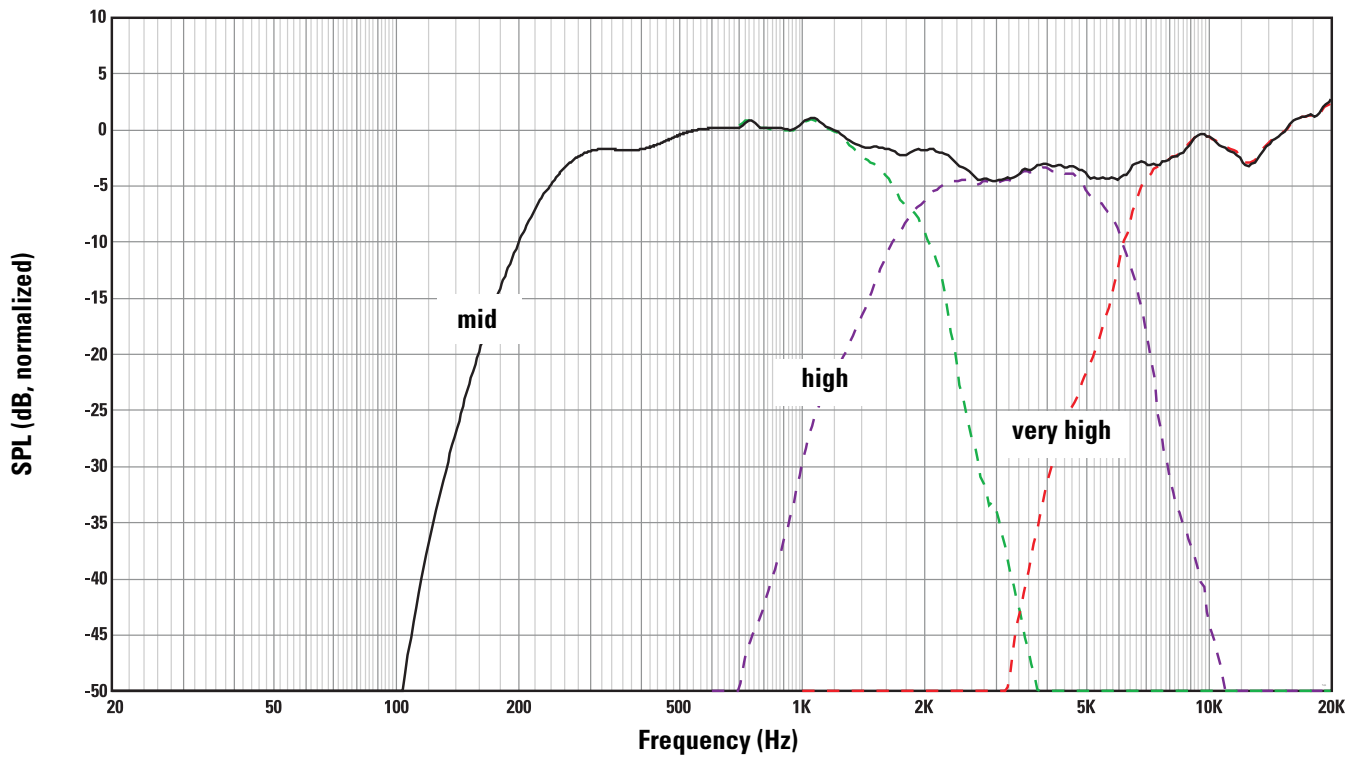
## **MHV-1090 Specifications (subject to change without notice)**

Freq. Range	180 - 20k Hz (-6dB, full space)
Nominal Coverage	90° horizontal X +20 to -30° vertical (50° total, adjustable mount provides for vertical plane adjustments. The horizontal plane can be adjusted by altering mounting position on the low frequency enclosure before tightening bolts.
DI:	9 dB (400 to 16k Hz average)
Q:	8 (400 to 16k Hz average)
Max. Output:, calculated (1 meter, full space)	Mid frequency 135.5 dB SPL Tri-amp mode: high frequency/very high frequency 138 dB SPL Quad-amp mode: high frequency 138 dB SPL, very high frequency 135 dB SPL
Impedance:	Tri-amp mode: 8 ohms nominal, mid frequency and high/very high frequency Quad-amp mode: 8 ohms nominal, mid, high, and very high frequency
Maximum Input Power (AES method, 2 hours)	Mid frequency: 275 W Tri-amp mode: high/very high frequency 155 W (calculated, sum of high and very high frequency individual ratings) Quad-amp mode: high frequency 85 W, very high frequency 70 W
Sensitivity (1 Watt, 1 meter)	Mid frequency: 105 dB SPL Tri-amp mode: high/very high frequency 110 dB SPL Quad-amp mode: high frequency 110 dB SPL very high frequency 110 dB SPL
Crossover Frequencies	Tri-amp mode: mid frequency 250 Hz or higher, high/very frequency 1.7 kHz, both 24 dB/octave Quad-amp mode: mid frequency 250 Hz or higher, high frequency 1.7 kHz, very high frequency 6.0 kHz, all 24 dB/octave
Crossover Network	High frequency to very high frequency crossover at 7 kHz, 12 dB per octave, <i>only</i> in tri-amp mode. Quad-amp mode switch setting removes crossover circuit from signal path, but leaves DC blocking capacitors in circuit.
Connectors	Mid frequency driver: barrier strip screw terminals on mid frequency driver accept up to #10 AWG stranded wire. High frequency, very high frequency drivers: barrier strip screw terminals accept up to #10 AWG stranded wire <b>Tri-amp mode</b> connect high frequency/very high frequency program only to <b>VHF/HF INPUTS</b> terminals <b>Quad-amp mode</b> connect high frequency program to <b>HF INPUTS</b> terminals and connect very high frequency program to <b>VHF INPUTS</b> terminals.
Transducers	Mid frequency: 10" high efficiency mid-range, phase-ring loaded High frequency: 1.5" exit, 3.5" voice coil polyester diaphragm coaxial compression driver Very High frequency: 1.5" exit, 1.75" voice coil polyester diaphragm coaxial compression driver
Mounting Hardware:	Attaches to top of QSC's low frequency cinema enclosures using three 5/16"-18 x 3/4" long bolts (supplied on low frequency enclosure)
Size	39" high x 30" wide x 20" deep (991 x 762 x 508mm)
Weight	73.5 lb. (33 kg) net

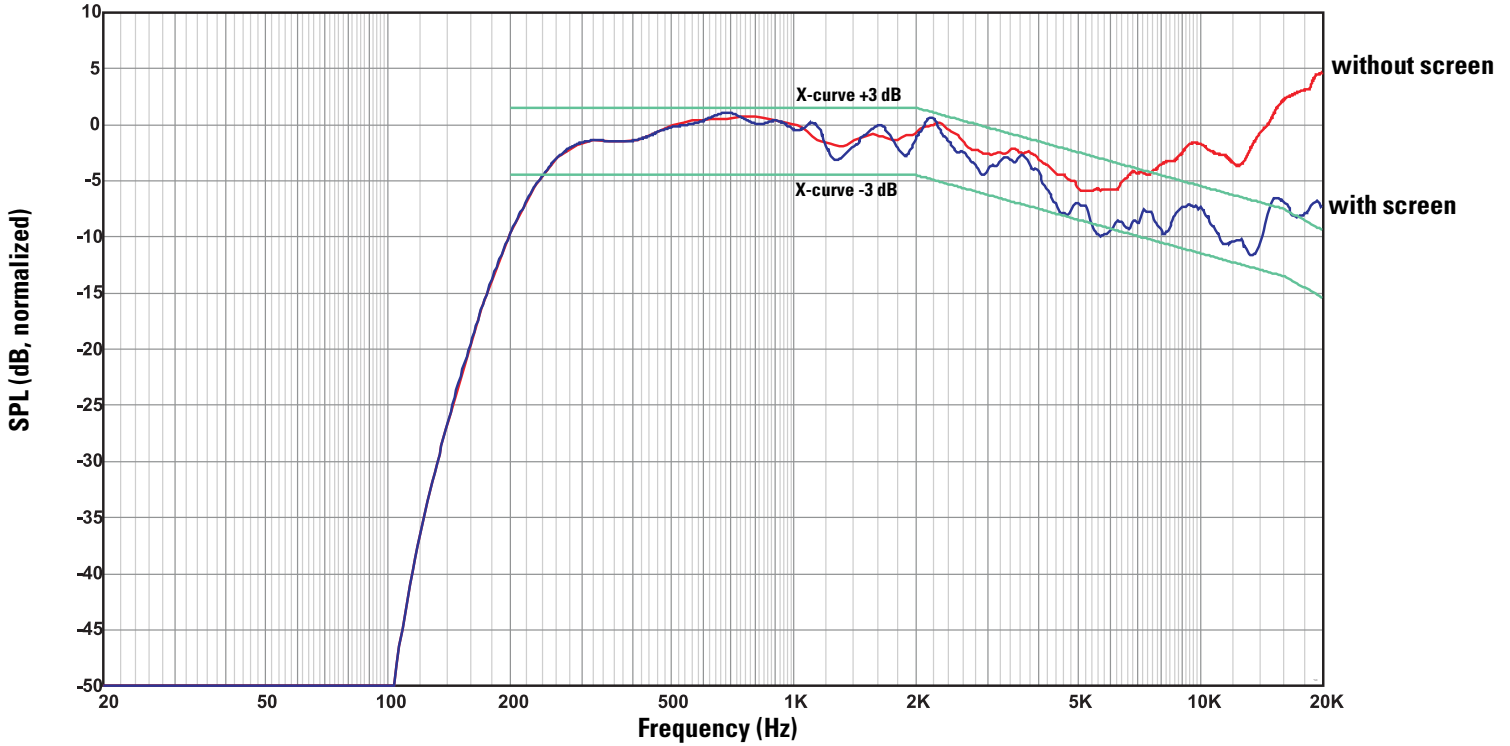
**MHV-1090 SPL vs. Frequency, Tri-amp, No Screen**



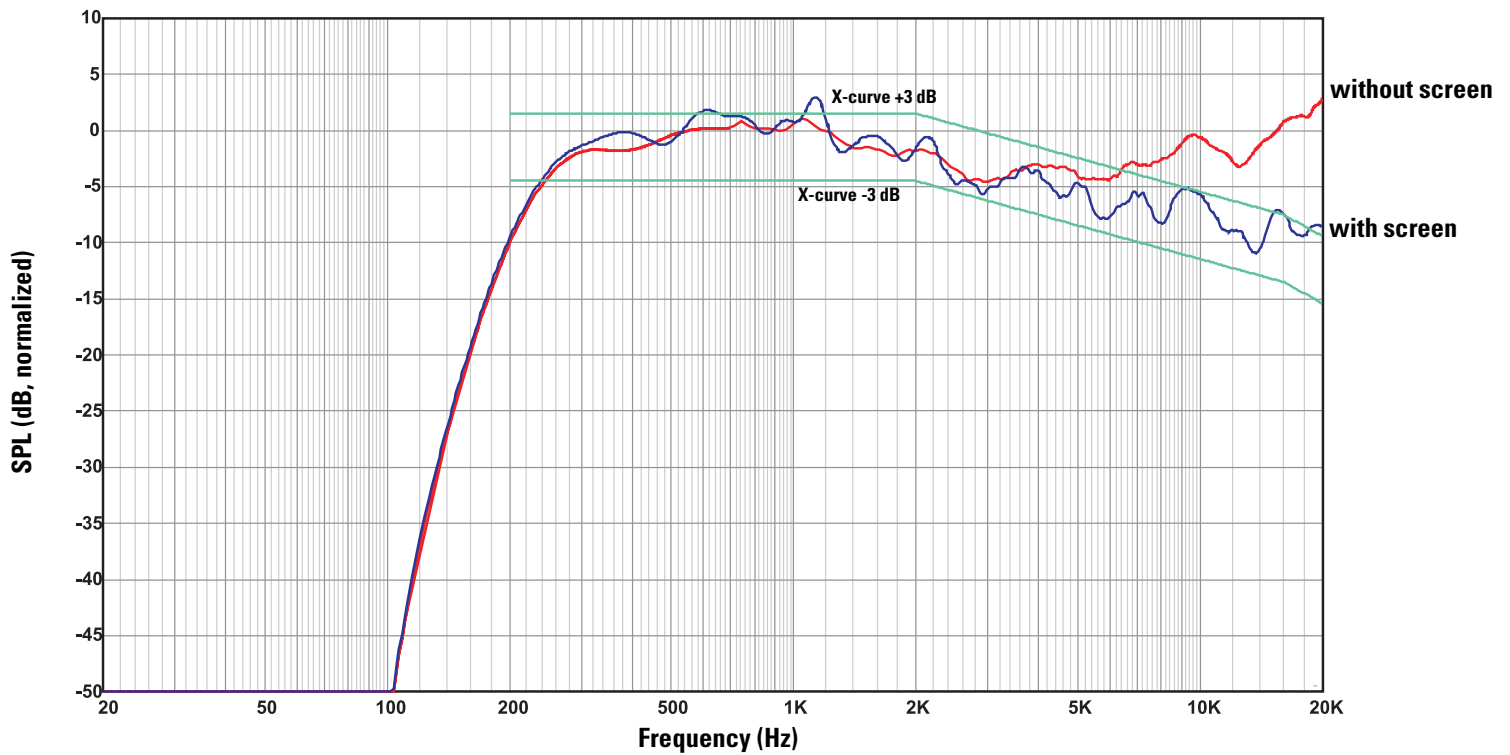
**MHV-1090 SPL vs. Frequency, Quad-amp, No Screen**



### MHV-1090 SPL vs. Frequency, X-curve, Tri-amp, With and Without Screen



### MHV-1090 SPL vs. Frequency, X-curve, Quad-amp, With and Without Screen



## **Warranty (USA only; other countries, see your dealer or distributor)**

### **Disclaimer**

QSC Audio Products, Inc. is not liable for any damage to amplifiers, or any other equipment that is caused by negligence or improper installation and/or use of this loudspeaker product.

### **QSC Audio Products 3 Year Limited Warranty**

QSC Audio Products, Inc. ("QSC") guarantees its products to be free from defective material and / or workmanship for a period of three (3) years from date of sale, and will replace defective parts and repair malfunctioning products under this warranty when the defect occurs under normal installation and use - provided the unit is returned to our factory or one of our authorized service stations via pre-paid transportation with a copy of proof of purchase (i.e., sales receipt). This warranty provides that the examination of the return product must indicate, in our judgment, a manufacturing defect. This warranty does not extend to any product which has been subjected to misuse, neglect, accident, improper installation, or where the date code has been removed or defaced. QSC shall not be liable for incidental and/or consequential damages. This warranty gives you specific legal rights. This limited warranty is freely transferable during the term of the warranty period.

Customer may have additional rights, which vary from state to state.

In the event that this product was manufactured for export and sale outside of the United States or its territories, then this limited warranty shall not apply. Removal of the serial number on this product, or purchase of this product from an unauthorized dealer, will void this limited warranty. Periodically, this warranty is updated. To obtain the most recent version of QSC's warranty statement, please visit [www.qscaudio.com](http://www.qscaudio.com). Contact us at 800-854-4079 or visit our website at [www.qscaudio.com](http://www.qscaudio.com).

## **Contacting QSC Audio Products**

Mailing address: QSC Audio Products, Inc.  
1675 MacArthur Boulevard  
Costa Mesa, CA 92626-1468 USA

### Telephone Numbers:

Main Number (714) 754-6175

Sales & Marketing (714) 957-7100 or toll free (USA only) (800) 854-4079

Customer Service (714) 957-7150 or toll free (USA only) (800) 772-2834

### Facsimile Numbers:

Sales & Marketing Fax (714) 754-6174

Customer Service Fax (714) 754-6173

World Wide Web: [www.qscaudio.com](http://www.qscaudio.com)

E-mail: [info@qscaudio.com](mailto:info@qscaudio.com)

[service@qscaudio.com](mailto:service@qscaudio.com)







1675 MacArthur Blvd., Costa Mesa, CA, 92626 USA  
 Main Number (714) 754-6175 Sales & Marketing (714) 957-7100 or toll free (USA only) (800) 854-4079  
 Customer Service (714) 957-7150 or toll free (USA only) (800) 772-2834

# Cinema Loudspeaker Systems User Manual

## LF-4315 Low Frequency Loudspeaker

### Introduction

The LF-4315 15" (381mm) low frequency enclosure is designed specifically for cinema applications. Meeting cinema requirements for extended low frequency response differentiates the LF-4315 from more conventional "rock-and-roll" woofer systems. The LF-4315 covers the frequency range from 30 Hertz to 500 Hertz, depending upon the high frequency system requirements.

The three custom 400 watt, 15" transducers were developed specifically for cinema use. They feature 4" (100mm) voice coils, 120 oz.(3.4kg) ceramic magnets, and multi-vented pole pieces to ensure cool operation. Cooler temperatures increase transducer lifespan and decrease power compression at high power levels. Undercut pole pieces ensure the voice coils operate in symmetrical magnetic gaps, reducing second order harmonic distortion. The suspension and voice coils of the transducers have been designed to provide low distortion and high impact bass at high power.

The enclosure is constructed of high quality medium density fiberboard panels with stiffening braces on all panels. Both internal and external port openings are fully radiused ensuring smooth air flow at higher power levels, preventing audible port turbulence.

Bass ports are symmetrically spaced on each side of the transducers, making internal pressure more uniform across the back surface of the transducers. This prevents the cones from being displaced to one side or another by unbalanced forces, reducing the chance of driving the voice coils out of the center of the gaps at high power.

Three T-nuts in the top of the enclosure provide easy mounting of QSC's HF-75 high frequency system, or MH-1075 mid-high system.



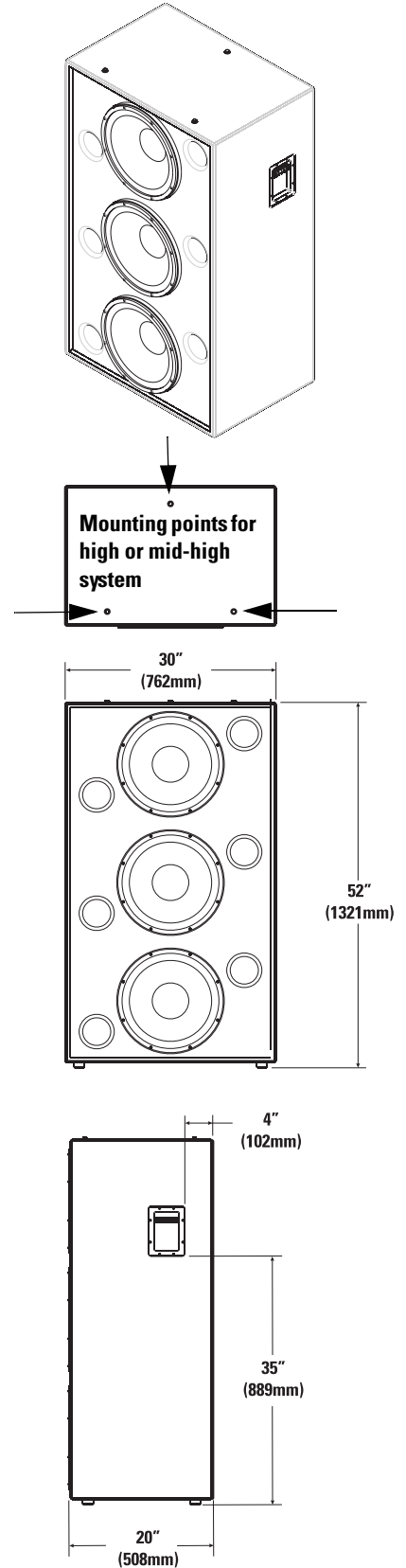
**Enclosure is not designed to be suspended, flown, or rigged. Do not suspend, fly, or rig this enclosure.**

**This product is capable of producing sound pressure levels that can permanently damage human hearing. Always keep sound pressure levels in the listening area below levels that can damage human hearing.**

**Install in accordance with QSC Audio Product's instructions and a licensed, professional engineer. Only use attachments, mounts, accessories, or brackets specified by QSC Audio Products, Inc. Refer all servicing to qualified personnel. Servicing is required when the apparatus has been damaged in any way.**



**WARNING! Before placing, installing, rigging, or suspending any speaker product, inspect all hardware, suspension, cabinets, transducers, brackets and associated equipment for damage. Any missing, corroded, deformed or non-load rated component could significantly reduce the strength of the installation, placement, or array. Any such condition severely reduces the safety of the installation and should be immediately corrected. Use only hardware which is rated for the loading conditions of the installation and any possible short-term unexpected overloading. Never exceed the rating of the hardware or equipment. Consult a licensed, professional engineer when any doubt or questions arise regarding a physical equipment installation.**



TD-000177-00 rev.C

© Copyright 2004, QSC Audio Products, Inc.

QSC® is a registered trademark of QSC Audio Products, Inc.

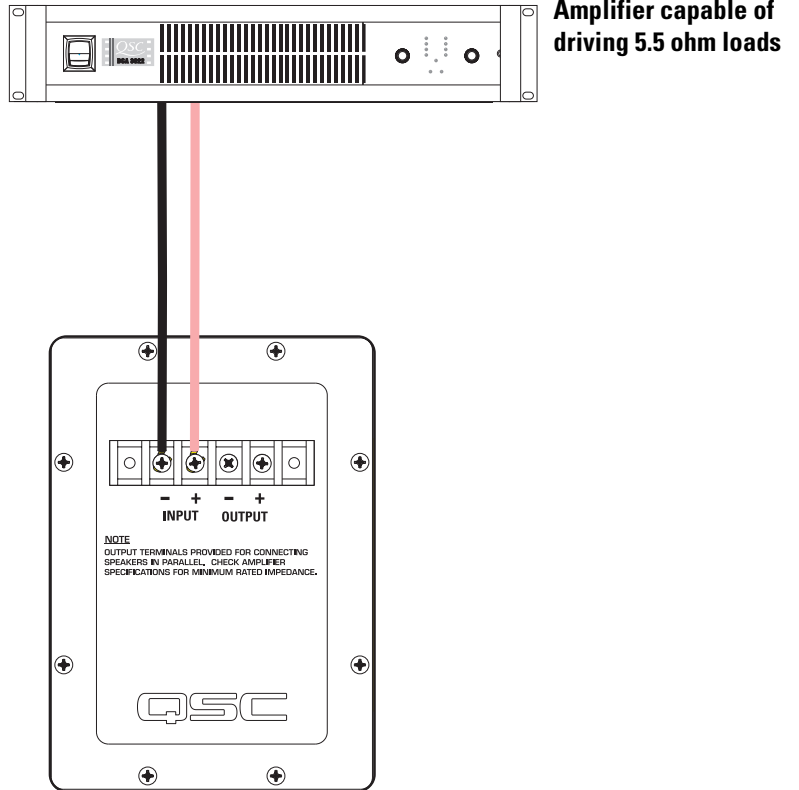
"QSC" and the QSC logo are registered with the U.S. Patent and Trademark Office

## Connections

### Normal Connection

The LF-4315 has barrier strip screw terminals for connection. The terminals accept up to #10 AWG (5.3mm<sup>2</sup>) stranded loud-speaker wiring. Use the largest wire size and shortest wire length possible for a given installation. Observe the polarity markings and keep polarity consistent throughout the system for best performance.

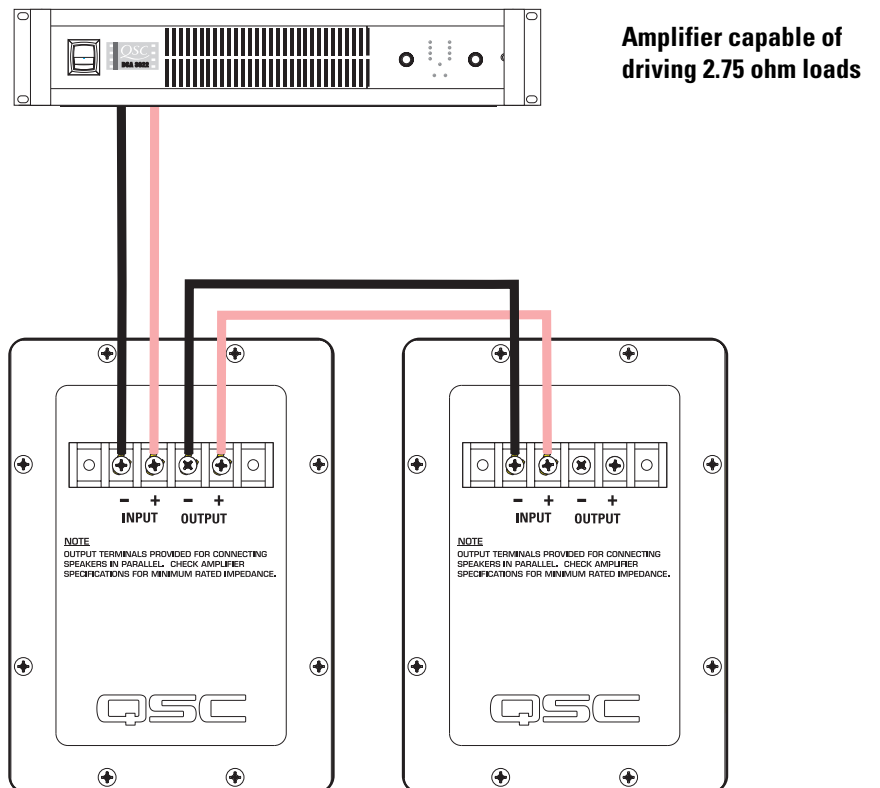
### Normal Connection Example:



### Parallel Connection of Second LF-4315

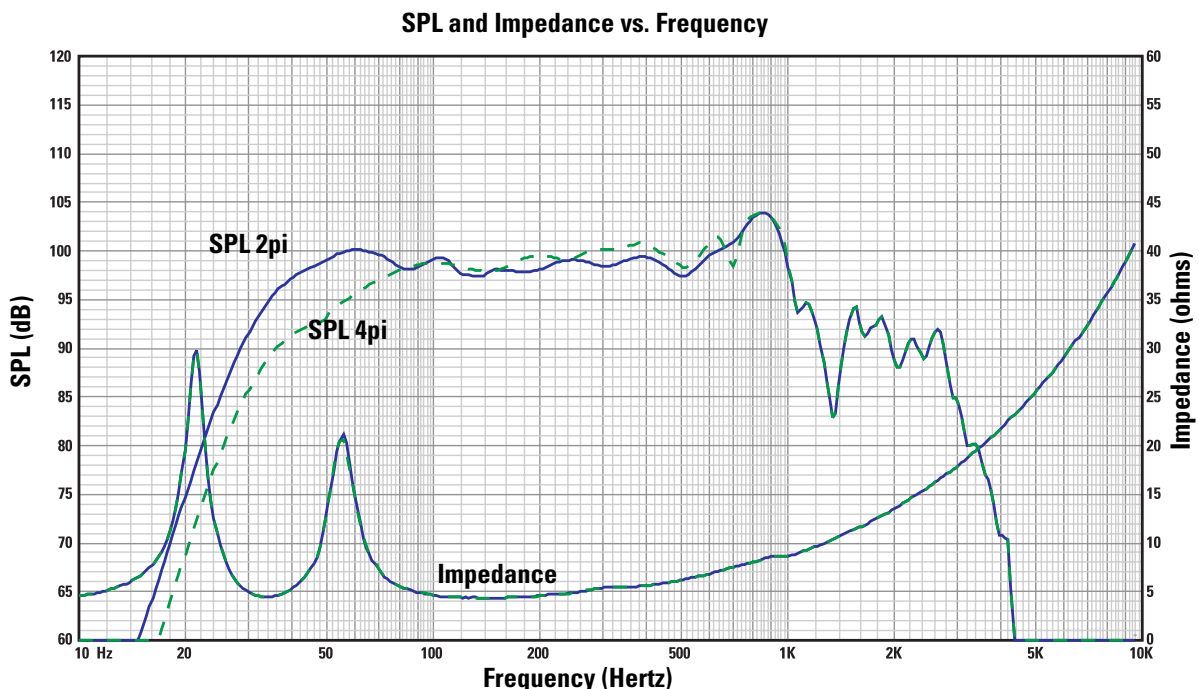
The terminals marked **OUTPUT** may be used to connect another LF-4315 in parallel. Connect the wires as shown in the illustration, at right.

### Parallel Connection Example:



## **LF-4315 Specifications (subject to change without notice)**

<b>Frequency Range:</b>	32 - 1200 Hertz (-6dB) 28 - 2800 Hertz useable range (-10dB)
<b>Nominal Coverage:</b>	125° horizontal X 60° vertical at 315 Hertz
<b>Maximum Output:</b>	136.0dB SPL calculated peak, 1 meter, half space, at rated rms power with 6 dB crest factor pink noise input, 35 - 1000 Hertz. 130.0dBA SPL calculated maximum continuous, 1 meter. The dBA scale is typically used to identify sound sources which can cause permanent hearing loss.
<b>Impedance:</b>	5.5 ohms nominal 4.5 ohms minimum, 150 Hertz 30 ohms maximum, 22 Hertz
<b>Maximum Input Power:</b>	1200 watts rms (8 hours of 6dB crest factor pink noise, 40 - 400 Hertz) 1500 watts rms (2 hours of 6dB crest factor pink noise, 40 - 400 Hertz) recommended amplifier power capability- 2400 watts rms maximum into 4 ohms (per LF-4315)
<b>Sensitivity:</b>	99.0dB half space, 98.0dB full space, 35 - 1000 Hertz, 1 watt, 1 meter
<b>Recommended Processing:</b>	Subsonic filter below 25 Hertz, >18 dB per octave, maximum recommended crossover frequency is 500 Hertz. QSC DSP configurations are available at <a href="http://www.qscaudio.com">www.qscaudio.com</a> . Parameters for alternative processing hardware are available upon request.
<b>Connectors:</b>	Barrier strip screw terminals accept up to #10 AWG (5.3mm <sup>2</sup> ) stranded wire. Four terminals: (two <b>INPUT</b> and two parallel <b>OUTPUT</b> ).
<b>Transducers:</b>	Three 15" (381mm) high efficiency low frequency transducer featuring vented 4" (100mm) copper voice coil on Kapton® formers. High excursion/low distortion design, with extremely high power handling, and low thermal compression.
<b>Enclosure:</b>	Quasi B4 alignment, ported enclosure with fully flared ports, low turbulence symmetrical port design, tuned to 34 Hertz, constructed of medium density fiberboard and heavily braced. Features vandal resistant woofer mounting bolts.
<b>Size:</b>	30" wide X 53" high X 20" deep (762mm X 1321mm X 508mm)
<b>Weight:</b>	290 lbs. shipping, 260 lbs. net (132/118 kg.)



## **Warranty (USA only; other countries, see your dealer or distributor)**

### **Disclaimer**

QSC Audio Products, Inc. is not liable for any damage to amplifiers, or any other equipment that is caused by negligence or improper installation and/or use of this loudspeaker product.

### **QSC Audio Products 3 Year Limited Warranty**

QSC Audio Products, Inc. ("QSC") guarantees its products to be free from defective material and / or workmanship for a period of three (3) years from date of sale, and will replace defective parts and repair malfunctioning products under this warranty when the defect occurs under normal installation and use - provided the unit is returned to our factory or one of our authorized service stations via pre-paid transportation with a copy of proof of purchase (i.e., sales receipt). This warranty provides that the examination of the return product must indicate, in our judgment, a manufacturing defect. This warranty does not extend to any product which has been subjected to misuse, neglect, accident, improper installation, or where the date code has been removed or defaced. QSC shall not be liable for incidental and/or consequential damages. This warranty gives you specific legal rights. This limited warranty is freely transferable during the term of the warranty period.

Customer may have additional rights, which vary from state to state.

In the event that this product was manufactured for export and sale outside of the United States or its territories, then this limited warranty shall not apply. Removal of the serial number on this product, or purchase of this product from an unauthorized dealer, will void this limited warranty. Periodically, this warranty is updated. To obtain the most recent version of QSC's warranty statement, please visit [www.qscaudio.com](http://www.qscaudio.com). Contact us at 800-854-4079 or visit our website at [www.qscaudio.com](http://www.qscaudio.com).

## **Contacting QSC Audio Products**

Mailing address: QSC Audio Products, Inc.  
1675 MacArthur Boulevard  
Costa Mesa, CA 92626-1468 USA

### Telephone Numbers:

Main Number (714) 754-6175

Sales & Marketing (714) 957-7100 or toll free (USA only) (800) 854-4079

Customer Service (714) 957-7150 or toll free (USA only) (800) 772-2834

### Facsimile Numbers:

Sales & Marketing Fax (714) 754-6174

Customer Service Fax (714) 754-6173

World Wide Web: [www.qscaudio.com](http://www.qscaudio.com)

E-mail: [info@qscaudio.com](mailto:info@qscaudio.com)

[service@qscaudio.com](mailto:service@qscaudio.com)



QSC Audio Products, Inc. 1675 MacArthur Boulevard Costa Mesa, California 92626 USA  
©2004 "QSC" and the QSC logo are registered with the U.S. Patent and Trademark Office.  
Kapton® is a registered trademark of E.I. du Pont de Nemours and Company.



1675 MacArthur Blvd., Costa Mesa, CA, 92626 EE.UU.

Número principal +1 (714) 754-6175 Ventas y Comercialización +1 (714) 957-7100

o línea sin costo (sólo para EE.UU.) +1 (800) 854-4079

Servicio al cliente +1 (714) 957-7150 o gratis (sólo EE.UU.) +1 (800) 772-2834

## Manual del usuario de los sistemas de altavoces para salas de cine

# Altavoz de baja frecuencia LF-4315

### Introducción

La caja de baja frecuencia de 15" (381 mm) del altavoz LF-4315 está diseñada específicamente para aplicaciones cinematográficas. El cumplimiento de los requisitos de las aplicaciones cinematográficas referentes a una respuesta extendida de baja frecuencia, es lo que distingue al altavoz LF-4315 de otros sistemas woofer tipo "rock-and-roll" más convencionales. El altavoz LF-4315 cubre un intervalo de frecuencia de 30 Hertzios a 500 Hertzios, dependiendo de los requisitos del sistema de alta frecuencia.

Los tres transductores adaptados de 400 vatios y 15" se desarrollaron específicamente para su uso en salas de cine. Cuentan con bobinas de voz de 4" (100 mm), imanes cerámicos de 120 onzas (3.4 kg) y polos multiventilados para asegurar una operación fría. Las temperaturas más frías aumentan la vida útil del transductor y reducen la compresión de la potencia a niveles altos de potencia. Los polos proyectados aseguran que las bobinas de voz operen en campos magnéticos simétricos, reduciendo la deformación armónica de segundo orden. La suspensión y las bobinas de voz de los transductores se han diseñado para brindar una baja distorsión y graves de alto impacto a alta potencia.

La caja está construida de paneles de cartón duro mediano de alta calidad con soportes de refuerzo en todos los paneles. Ambas aberturas del puerto, la interna y la externa, están totalmente redondeadas, lo cual asegura un flujo de aire uniforme a mayores niveles de potencia, evitando turbulencia audible en el puerto.

Los puertos de graves están separados simétricamente a cada lado de los transductores, haciendo que la presión interna sea más uniforme a través de la superficie posterior de los transductores. Esto evita que los conos sean desplazados de un lado a otro por fuerzas no equilibradas, reduciendo la probabilidad de impulsar las bobinas de voz fuera del centro de los espacios a altos niveles de potencia.

Tres tuercas en T en la parte superior de la caja permiten el montaje fácil del sistema de alta frecuencia HF-75 o del sistema de frecuencia media alta MH-1075, ambos de QSC.



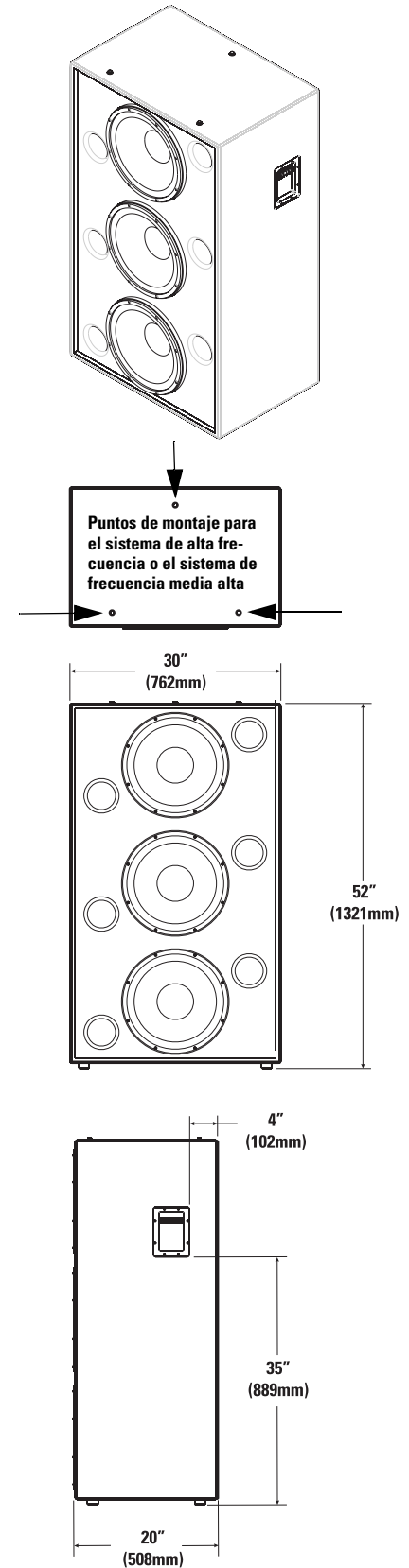
**La caja no está diseñada para montarse suspendida, en voladizo ni sobre arneses. No suspenda esta caja, no la monte en voladizo ni sobre arneses.**

**Este producto es capaz de producir niveles de presión del sonido que pueden causar daños permanentes al oído humano. Siempre mantenga los niveles de presión del sonido en un área de audición con un nivel menor que el que provoca daños al oído humano.**

**Instale de acuerdo con las instrucciones de QSC Audio Products y de un ingeniero profesional con la debida licencia. Sólo use piezas, montajes, accesorios y soportes especificados por QSC Audio Products, Inc. Refiera todo el servicio a personal calificado. Cuando el aparato haya sido dañado de alguna manera, es necesario proporcionarle servicio.**



**¡ADVERTENCIA! Antes de colocar, instalar, montar o suspender cualquier producto de altavoz, inspeccione todo el equipo físico, la suspensión, los armarios, los transductores, los soportes y el equipo asociado para detectar la existencia de daños. Cualquier componente faltante, corroído, deformado, o sin carga nominal podría reducir significativamente la resistencia de la instalación, la colocación o la configuración. Cualquier condición de este tipo reduce gravemente la seguridad de la instalación y debe corregirse de inmediato. Use sólo herraje que esté clasificado para las condiciones de carga de la instalación y cualquier posible carga excesiva a corto plazo inesperada. Nunca exceda el valor nominal del equipo físico ni del dispositivo. Consulte a un ingeniero profesional con la debida licencia cuando surjan dudas o preguntas referentes a la instalación física del equipo.**

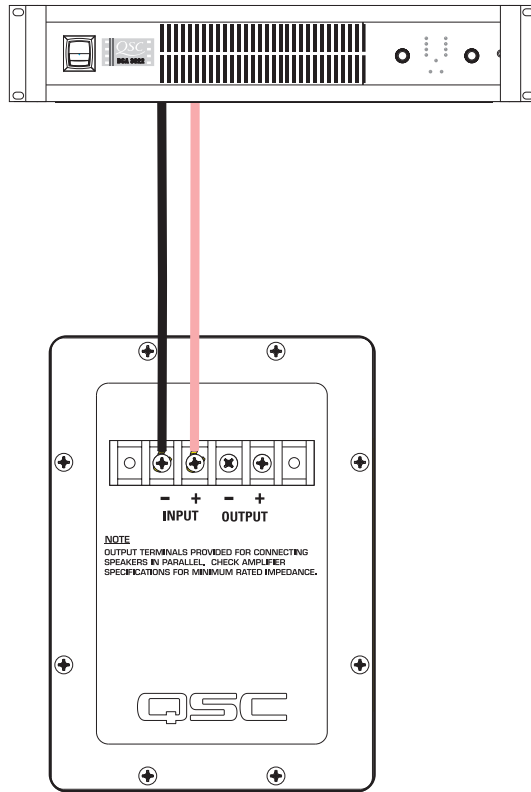


## Conexiones

### Conexión normal

El altavoz LF-4315 tiene terminales de tornillo de barra protectora para su conexión. Los terminales aceptan cableado trenzado de hasta #10 AWG (5.3 mm<sup>2</sup>) para altavoces. Use el alambre del calibre más grande y de la longitud más corta posible en cualquier instalación. Observe las marcas de polaridad y mantenga la polaridad uniforme en todo el sistema para permitir el mejor rendimiento.

### Ejemplo de una conexión normal:

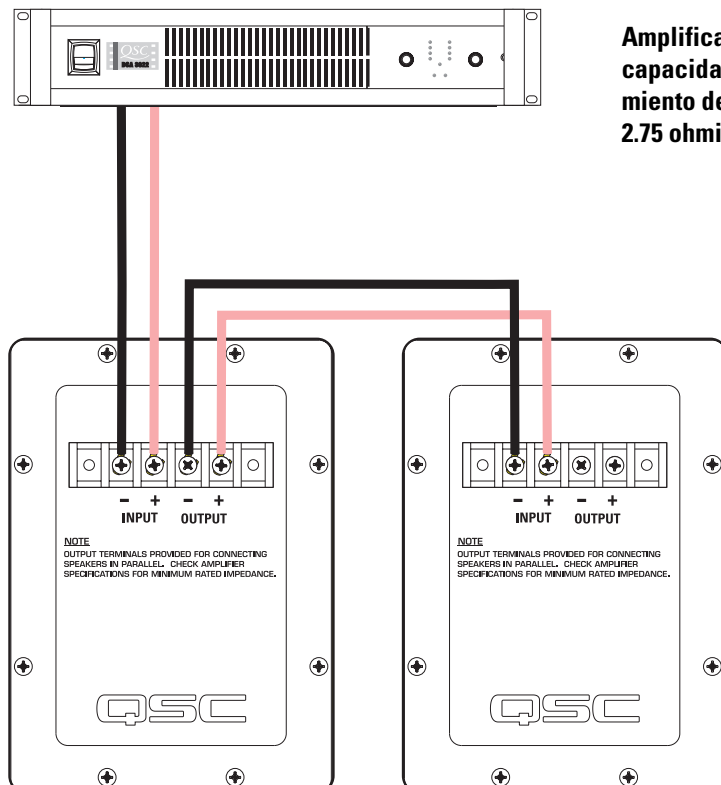


Amplificador con capacidad de accionamiento de cargas de 5.5 ohmios

### Conexión en paralelo de un segundo LF-4315

Los terminales marcados **SALIDA** se pueden usar para conectar en paralelo otro altavoz LF-4315. Conecte los cables como se muestra en la ilustración, a la derecha.

### Ejemplo de conexión en paralelo:

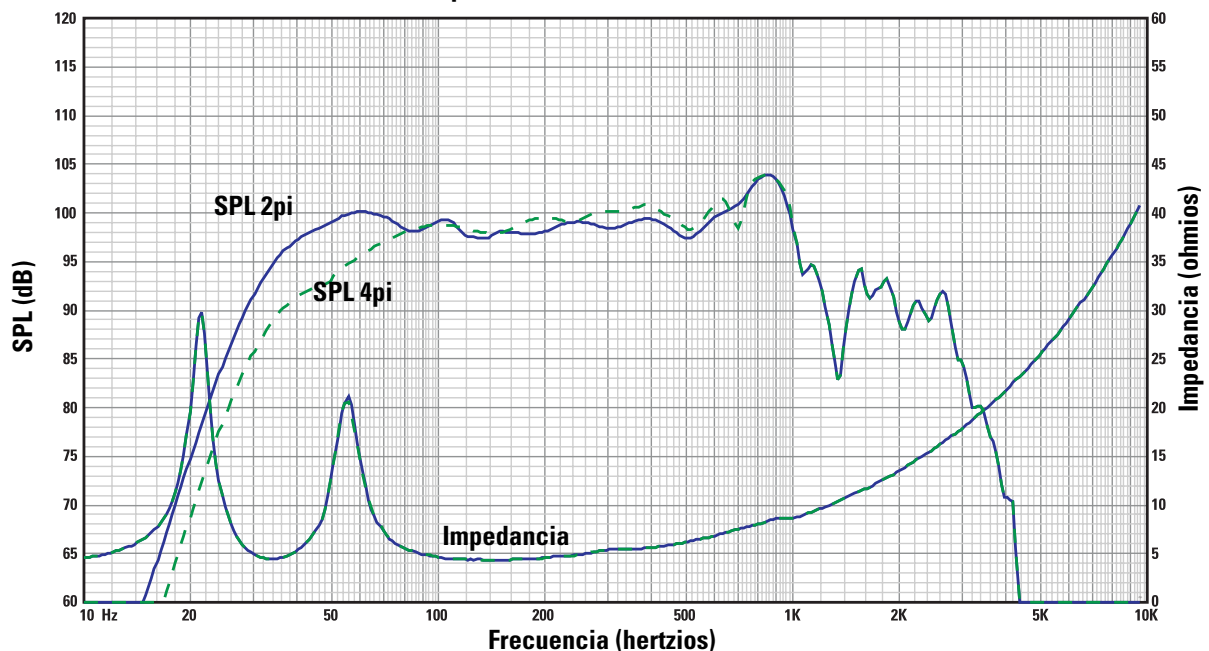


Amplificador con capacidad de accionamiento de cargas de 2.75 ohmios

## **Especificaciones del sistema LF-4315 (sujetas a cambio sin previo aviso)**

<b>Intervalo de frecuencias:</b>	32 - 1200 Hertzios (-6dB) Intervalo utilizable de 28 -2800 Hertzios (-10 dB)
<b>Cobertura nominal:</b>	125° horizontal X 60° vertical a 315 Hertzios
<b>Salida máxima:</b>	Pico calculado de SPL: 136.0 dB, 1 metro, medio espacio, a una potencia rms nominal con entrada de ruido rosa con factor de cresta de 6 dB, 35 - 1000 Hertzios. Máximo calculado continuo de SPL: 130.0 dBA, 1 metro. La escala de dBA típicamente se usa para identificar fuentes de sonido que pueden causar pérdida auditiva permanente.
<b>Impedancia:</b>	5.5 ohmios, nominal 4.5 ohmios mínimo, 150 Hertzios 30 ohmios máximo, 22 Hertzios
<b>Potencia máxima de entrada:</b>	1200 vatios rms (8 horas de ruido rosa con factor de cresta de 6 dB, 40 - 400 Hertzios) 1500 vatios rms (2 horas de ruido rosa con factor de cresta de 6 dB, 40 - 400 Hertzios) Capacidad recomendada de potencia del amplificador: 2400 vatios rms como máximo en 4 ohmios (por LF-4315)
<b>Sensibilidad:</b>	99.0 dB medio espacio, 98.0 dB espacio completo, 35 - 1000 Hertzios, 1 vatio, 1 metro
<b>Procesamiento recomendado:</b>	Filtro subsónico menor de 25 Hertzios, >18 dB por octava, la frecuencia máxima de cruce recomendada es de 500 Hertzios. Las configuraciones DSP de QSC están disponibles en <a href="http://www.qscaudio.com">www.qscaudio.com</a> . Los parámetros para el heraje de procesamiento alternativo están disponibles si así se solicitan.
<b>Conectores:</b>	Los terminales de tornillo de barra protectora aceptan alambre trenzado de hasta #10 AWG (5.3 mm <sup>2</sup> ). Cuatro terminales: (dos de ENTRADA y dos de SALIDA paralela).
<b>Transductores:</b>	Tres transductores de baja frecuencia de alta eficiencia, de 15" (381 mm), con bobina de voz de cobre de 4" (100 mm) ventilada, en soportes de Kapton®. Diseño de alta excursión/baja deformación, con un manejo de potencia extremadamente alta, y baja compresión térmica.
<b>Caja:</b>	Alineación Quasi B4, caja con puertos totalmente abocinados, diseño de puerto simétrico de baja turbulencia, afinado a 34 Hertzios, construido de cartón duro de media densidad y fuertemente soportado. Tiene pernos de montaje del woofer resistentes al vandalismo.
<b>Tamaño:</b>	30" de ancho X 53" de alto X 20" de profundidad (762 mm X 1.321mm X 508 mm)
<b>Peso:</b>	290 libras envío, 260 libras neto (132/118 kg.)

**SPL e impedancia en función de la frecuencia**



## **Garantía (sólo para EE.UU.; para otros países, consulte con su vendedor o distribuidor)**

### **Renuncia de responsabilidad**

QSC Audio Products, Inc. no es responsable por ningún daño a los amplificadores, ni a ningún otro equipo que sea causado por negligencia o instalación y/o uso inadecuado de este altavoz.

### **Garantía limitada de 3 años de QSC Audio Products**

QSC Audio Products, Inc. ("QSC") garantiza que sus productos estarán libres de materiales y/o mano de obra defectuosos por un periodo de tres (3) años a partir de la fecha de la venta, y reemplazará las piezas defectuosas y reparará los productos que funcionen mal bajo esta garantía cuando el defecto ocurra bajo condiciones normales de instalación y uso, siempre y cuando la unidad se devuelva a nuestra fábrica o a una de nuestras estaciones autorizadas de servicio mediante transportación prepagada con una copia del comprobante de compra (por ejemplo, el recibo de la compra). Esta garantía requiere que el examen del producto devuelto indique, en nuestra opinión, un defecto de fabricación. Esta garantía no se extiende a ningún producto que hubiera estado sometido a uso indebido, negligencia, accidente, instalación incorrecta, o en el que se hubiera quitado o modificado el código de la fecha. QSC tampoco será responsable por daños incidentales y/o emergentes. Esta garantía le otorga derechos legales específicos. Esta garantía limitada es libremente transferible durante el período de la misma.

El cliente podría gozar de derechos adicionales, que podrían variar de un estado a otro.

En caso de que este producto fuera fabricado para exportación y venta fuera de los Estados Unidos o sus territorios, entonces no será aplicable esta garantía limitada. La eliminación del número de serie en este producto, o la compra de este producto de un distribuidor no autorizado, anularán esta garantía limitada. Esta garantía se actualiza periódicamente. Para obtener la versión más reciente de la declaración de la garantía de QSC, por favor visite [www.qscaudio.com](http://www.qscaudio.com). Comuníquese con nosotros al 800-854-4079 o visite nuestro sitio en Internet en [www.qscaudio.com](http://www.qscaudio.com).

## **Cómo comunicarse con QSC Audio Products**

Dirección postal: QSC Audio Products, Inc.  
1675 MacArthur Boulevard  
Costa Mesa, CA 92626-1468 EE.UU.

Números de teléfono:

Número principal +1 (714) 754-6175

Ventas y comercialización +1 (714) 957-7100 o gratis (sólo EE.UU.) +1 (800) 854-4079

Servicio al cliente +1 (714) 957-7150 o gratis (sólo EE.UU.) +1 (800) 772-2834

Números de fax:

Fax de ventas y comercialización +1 (714) 754-6174

Fax de servicio al cliente +1 (714) 754-6173

World Wide Web: [www.qscaudio.com](http://www.qscaudio.com)

Correo electrónico: [info@qscaudio.com](mailto:info@qscaudio.com)

[service@qscaudio.com](mailto:service@qscaudio.com)







1675 MacArthur Blvd., Costa Mesa, CA 92626

Téléphone (standard) +1 (714) 754-6175 Ventes et Marketing +1 (714) 957-7100

ou +1 (800) 854-4079 (numéro vert valable aux États-Unis seulement)

Service clientèle +1 (714) 957-7150 ou numéro vert (États-Unis seulement) +1 (800) 772-2834

## Manuel d'utilisation de systèmes de haut-parleurs de cinéma

# Haut-parleur basse fréquence LF-4315

### Introduction

L'enceinte basse fréquence de 381 mm LF-4315 a été tout spécialement conçue pour les applications en salle de cinéma. Les exigences des cinémas en matière de réponse longue durée basse fréquence différencient le LF-4315 des systèmes de haut-parleurs de graves « rock-and-roll » plus conventionnels. Le LF-4315 couvre la plage de fréquence de 30 à 500 Hz, selon les exigences de haute fréquence du système.

Les trois transducteurs personnalisés de 38 cm et 400 W ont été spécialement développés pour un usage en salles de cinéma. Ils ont des bobines mobiles de 100 mm, des aimants en céramique de 4,4 kg et des pôles à événements multiples pour empêcher la surchauffe. Les températures inférieures augmentent la durée de vie des transducteurs et diminuent la compression de puissance à de hauts niveaux de puissance. Les pôles évidés garantissent le fonctionnement des bobines mobiles dans un espace magnétique symétrique, ce qui réduit la distorsion harmonique secondaire. La suspension et les bobines mobiles des transducteurs visent à produire une faible distorsion et des graves à fort impact à haute puissance.

L'enceinte est faite de panneaux de fibres de densité moyenne et de haute qualité avec des renforts sur tous les panneaux. Les ouvertures internes et externes des ports sont entièrement arrondies, garantissant la circulation d'air uniforme à haute puissance, ce qui empêche les turbulences sonores.

Les ports à basses sont équidistants de part et d'autre des transducteurs, ce qui répartit uniformément la pression interne à travers la surface arrière des transducteurs. Ceci empêche le déplacement des cônes d'un côté ou de l'autre par des forces déséquilibrées, ce qui réduit le risque d'excentrage des bobines mobiles à haute puissance.

Trois écrous en T sur le dessus de l'enceinte facilitent la fixation du système haute fréquence HF-75 ou du système sonore de hauteur moyenne MH-175 de QSC.



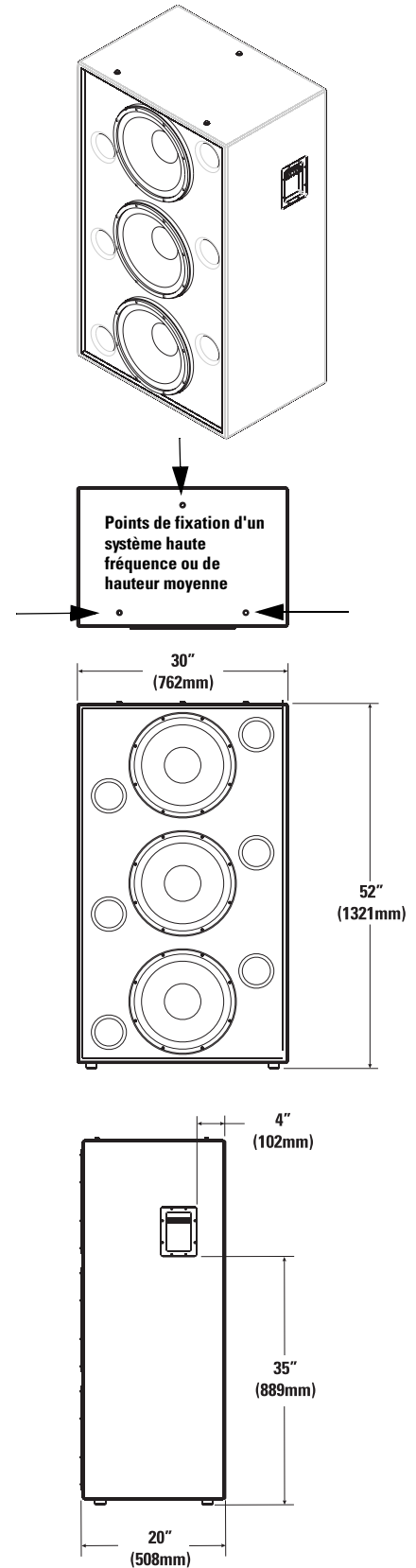
**L'enceinte n'a pas été conçue pour être suspendue, balancée ou montée. La suspension, le balancement ou le montage de l'enceinte sont interdits.**

**Ce produit est capable de produire des niveaux de pression sonore susceptibles d'endommager l'ouïe de manière irréversible. Toujours maintenir les niveaux de pression sonore dans la zone d'écoute en deçà de niveaux susceptibles de compromettre l'ouïe.**

**Installer conformément aux instructions de QSC Audio Products et d'un technicien professionnel diplômé. Utiliser uniquement des fixations, supports, accessoires ou équerres spécifiés par QSC Audio Products. Confier toutes les réparations à un personnel qualifié. Une réparation ou maintenance est requise lorsque l'appareil a été endommagé d'une manière quelconque.**



**AVERTISSEMENT ! Avant de placer, installer, monter ou suspendre un haut-parleur, inspecter l'état de toute la visserie, du matériel de suspension, des armoires, des transducteurs, des supports et du matériel associé. Tout composant manquant, corrodé, déformé ou non adapté à la charge risque de réduire sensiblement la solidité de l'installation, sa mise en place ou sa portée. Une telle condition réduit sensiblement la sécurité de l'installation et doit être immédiatement corrigée. Utiliser uniquement du matériel de montage prévu pour les conditions de charge de l'installation et toute surcharge éventuelle à court terme imprévue. Ne jamais dépasser les spécifications nominales du matériel de montage ou de l'équipement. Consulter un technicien professionnel diplômé en cas de doute ou de question concernant l'installation physique de l'équipement.**

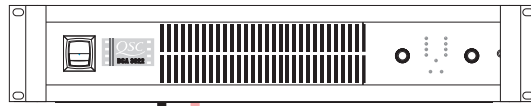


## Branchements

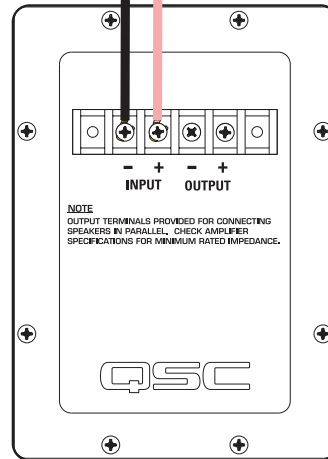
### Branchement normal

Le branchement du LF-4315 se fait à partir de bornes vissables de bornier à cloisons. Les bornes acceptent des câbles de haut-parleurs toronnés pouvant atteindre #10 AWG (5,3 mm<sup>2</sup>). Utiliser le calibre de conducteur maximal et la longueur de conducteur minimale, dans la mesure du possible, pour toute installation. Observer les repères de polarité et maintenir une polarité constante à travers le système pour une meilleure performance.

### Exemple de branchement normal :



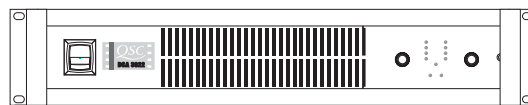
Amplificateur capable de piloter des charges de 5,5 ohms



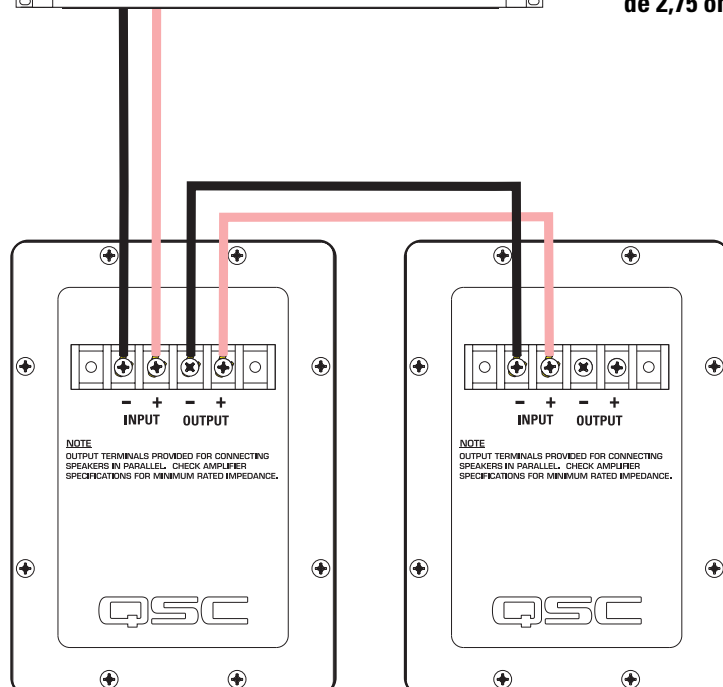
### Branchement en parallèle d'un second LF-4315

Les bornes marquées **OUTPUT** peuvent servir au branchement d'un autre LF-4315 en parallèle. Brancher les conducteurs comme indiqué sur l'illustration, à droite.

### Exemple de branchement en parallèle :



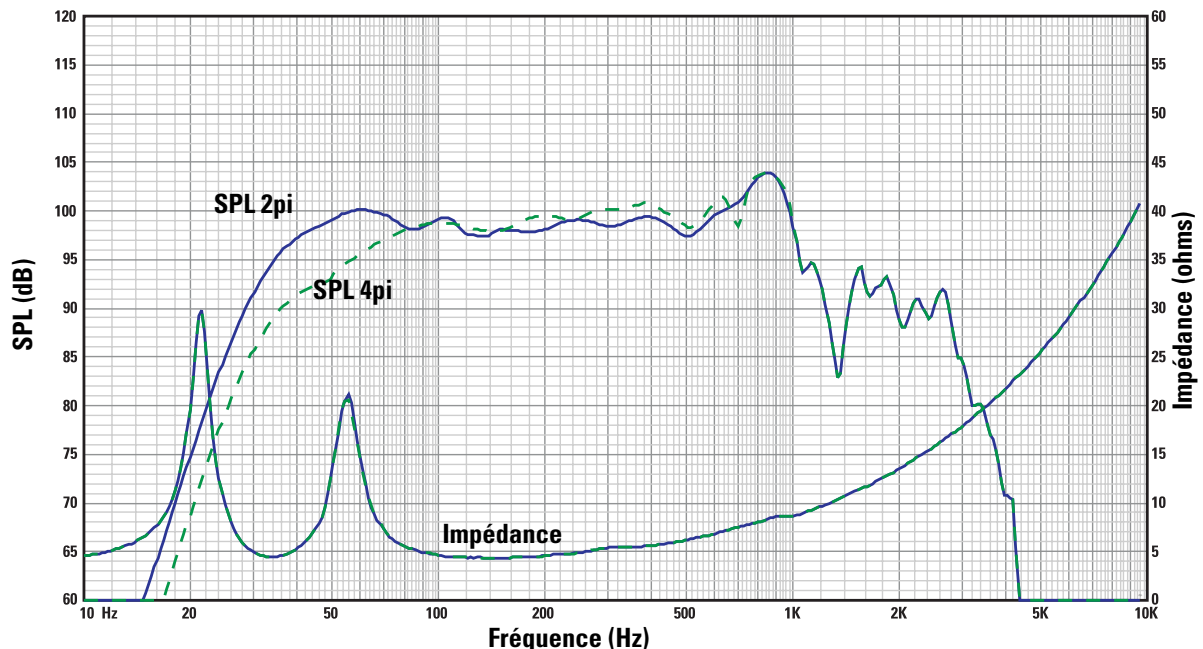
Amplificateur capable de piloter des charges de 2,75 ohms



## Caractéristiques techniques du LF-4315 (sujettes à modification sans préavis)

<b>Plage de fréquence :</b>	32 à 1 200 Hz (-6 dB) 28 à 2 800 Hz (plage utile) (-10 dB)
<b>Couverture nominale :</b>	125° horizontal x 60° vertical à 315 Hz
<b>Sortie maximale :</b>	Niveau de pression sonore maximal calculé de 136 dB, à 1 m, demi-espacement, à la puissance nominale efficace avec 6 dB entrée de bruit rose de facteur de crête, 35 à 1 000 Hz. Niveau de pression sonore maximal calculé continu de 130 dBA, à 1 mètre. L'échelle de dBA sert généralement à identifier les sources sonores susceptibles de causer une surdité permanente.
<b>Impédance :</b>	5,5 ohms (valeur nominale) 4,5 ohms minimale, 150 Hz 30 ohms maximale, 22 Hz
<b>Puissance d'entrée maximale :</b>	1 200 W (efficace) (8 heures de bruit rose de facteur de crête 6 dB, 40 à 400 Hz) 1 500 W (efficace) (2 heures de bruit rose de facteur de crête 6 dB, 40 à 400 Hz) Capacité de puissance d'amplificateur recommandée - 2 400 W (efficace) maximum dans 4 ohms (conformément au modèle LF-4315)
<b>Sensibilité :</b>	99 dB demi-espacement, 98 dB espacement total, 35 à 1 000 Hz, 1 W, 1 m
<b>Traitement recommandé :</b>	Filtre subsonique inférieur à 25 Hz, >18 dB par octave ; fréquence de filtre passif maximale recommandée : 500 Hz. Les configurations des processeurs de champs sonores numériques QSC sont disponibles sur le site <a href="http://www.qscaudio.com">www.qscaudio.com</a> . Les paramètres concernant d'autres matériels de traitement sont disponibles sur demande.
<b>Connecteurs :</b>	Les bornes acceptent des câbles de haut-parleurs toronnés à fil multibrin pouvant atteindre #10 AWG (5,3 mm <sup>2</sup> ). Quatre bornes : (deux d'entrée et deux de sortie parallèle).
<b>Transducteurs :</b>	Trois transducteurs basse fréquence ultra-efficace de 381 mm avec bobine mobile en cuivre de 100 mm à événements sur formes Kapton®. Conception du type excursion élevée/faible distorsion, qui permet le traitement d'une puissance extrêmement élevée, et réduit la compression thermique.
<b>Enceinte :</b>	Enceinte résonnante à alignement quasi B4 avec ports entièrement arrondis ; conception symétrique des ports à faible turbulence ; réglée à 34 Hz, en panneaux de fibres de densité moyenne et fortement renforcé. Possède des boulons de fixation sur les haut-parleurs de graves résistants aux vandales.
<b>Dimensions :</b>	762 mm (largeur) x 1 321 mm (hauteur) x 508 mm (épaisseur)
<b>Poids brut :</b>	132 kg Poids net : 118 kg

**SPL et impédance par rapport à la fréquence**



## **Garantie (États-Unis seulement ; dans les autres pays, consulter le revendeur ou le distributeur)**

### **Avis de non-responsabilité**

QSC Audio Products, Inc. n'est pas responsable des dommages subis par les amplificateurs ou tout autre équipement causé par un acte de négligence ou une installation impropre et/ou l'utilisation de ce haut-parleur.

### **QSC Audio Products - Garantie limitée de 3 ans**

QSC Audio Products, Inc. (« QSC ») garantit que ses produits sont dépourvus de tout vice de fabrication et/ou de matériel pendant une période de trois (3) ans à partir de la date de vente et remplacera les pièces défectueuses et réparera les produits qui fonctionnent mal dans le cadre de cette garantie si le défaut survient dans des conditions normales d'installation et d'utilisation - à condition que l'appareil soit retourné à l'usine ou à l'un de nos centres de réparation agréés en port prépayé, accompagné d'un justificatif d'achat (facture, par ex.). Cette garantie prévoit que l'examen du produit retourné doit indiquer, selon notre jugement, un défaut de fabrication. Cette garantie ne s'étend à aucun produit qui a été soumis à une utilisation abusive, un acte de négligence, un accident, une installation incorrecte ou un produit dont le code-date a été retiré ou effacé. QSC ne pourra être tenue pour responsable de dommages accessoires et/ou indirects. Cette garantie vous accorde des droits spécifiques. Cette garantie limitée est librement cessible durant sa période de validité.

Le client pourra bénéficier d'autres droits, variables d'une juridiction à l'autre.

Si ce produit a été fabriqué pour une exportation et une vente en dehors des États-Unis ou de ses territoires, cette garantie limitée ne s'appliquera pas. Le retrait du numéro de série sur ce produit ou l'achat de ce produit auprès d'un revendeur non agréé annulera cette garantie limitée. Cette garantie est régulièrement mise à jour. Pour obtenir la toute dernière version de la garantie de QSC, rendez-vous sur le site [www.qscaudio.com](http://www.qscaudio.com). Contactez-nous au 800-854-4079 ou visitez notre site Web [www.qscaudio.com](http://www.qscaudio.com).

## **Pour contacter QSC Audio Products**

Adresse postale : QSC Audio Products, Inc.  
1675 MacArthur Boulevard  
Costa Mesa, CA 92626-1468, États-Unis

Téléphone :

Standard +1 (714) 754-6175

Ventes & Marketing +1 (714) 957-7100 ou numéro vert (États-Unis seulement) +1 (800) 854-4079

Service clientèle +1 (714) 957-7150 ou numéro vert (États-Unis seulement) +1 (800) 772-2834

Télécopieur :

Ventes & Marketing Télécopieur +1 (714) 754-6174

Service clientèle Télécopieur +1 (714) 754-6173

Site Web : [www.qscaudio.com](http://www.qscaudio.com)

E-mail : [info@qscaudio.com](mailto:info@qscaudio.com)

[service@qscaudio.com](mailto:service@qscaudio.com)

# **QSC™**

QSC Audio Products, Inc. 1675 MacArthur Boulevard Costa Mesa, California 92626 USA  
©2004 QSC et le logo QSC sont des marques déposées auprès de l'U.S. Patent and Trademark Office.  
Kapton® est une marque déposée de E.I. du Pont de Nemours and Company.



1675 MacArthur Blvd., Costa Mesa, CA, 92626 USA  
Zentrale +1 (714) 754-6175 Verkauf und Marketing +1 (714) 957-7100  
oder gebührenfrei (nur in den USA) +1 (800) 854-4079  
Kundendienst +1 (714) 957-7150 oder gebührenfrei (nur in den USA) +1 (800) 772-2834

## Kinolautsprecheranlagen - Benutzerhandbuch

# Niederfrequenzlautsprecher LF-4315

### Einführung

Das 15-Zoll- (381-mm-) Gehäuse des LF-4315-Niederfrequenzlautsprechers wurde speziell für Kinoanwendungen konstruiert. Da diese Anlage mit ihrem erweiterten Niederfrequenzgang die Voraussetzungen für Kinoanwendungen erfüllt, unterscheidet sie sich von konventionellen „Rock-and-Roll“-Tieftonlautsprechern. Je nach den Anforderungen der Hochfrequenzanlage deckt das Modell LF-4315 den Frequenzbereich zwischen 30 und 500 Hz ab.

Die drei 15-Zoll-Wandler mit 400 W wurden speziell für Kinoanwendungen entwickelt. Sie umfassen 4-Zoll- (100-mm-) Schwingspulen, 3,4-kg-Keramikmagneten und mehrfach belüftete Polstücke, wodurch ein kühler Betrieb sichergestellt wird. Kühlere Temperaturen verlängern die Lebensdauer der Wandler und reduzieren das Problem der Leistungskomprimierung bei hohen Leistungspegeln. Durch die hinterschnittenen Polstücke werden die Schwingspulen in symmetrischen Magnetluftspalten betrieben, was zu einer Reduzierung der sekundären harmonischen Verzerrung führt. Aufhängung und Schwingspulen der Wandler wurden so konstruiert, dass sie bei hoher Ausgangsleistung nur eine geringe Verzerrung zulassen und einen druckvollen Bass ermöglichen.

Das Gehäuse besteht aus hochwertigen Pressspanplatten mittlerer Dichte mit Versteifungen an allen Platten. Sowohl die internen als auch die externen Öffnungen sind mit Vollradius versehen, damit sie bei hoher Leistung eine gleichmäßige Luftströmung gewährleisten und hörbare Luftgeräusche an der Öffnung vermeiden.

Die Bass-Öffnungen sind auf jeder Seite der Wandler symmetrisch angeordnet, was einen Ausgleich des Innendrucks an der Wandler-Rückseite bewirkt. Dadurch wird eine seitliche Auslenkung der Membranen durch asymmetrische Kräfte verhindert und eine mögliche Abweichung der Schwingspulen aus ihrer Mittelstellung im Luftspalt bei hoher Leistung reduziert.

Die Montage der Hochfrequenz-Anlage HF-75 bzw. des oberen Mittenfrequenz-Systems MH-1075 von QSC wird durch drei T-Muttern oben im Gehäuse erleichtert.



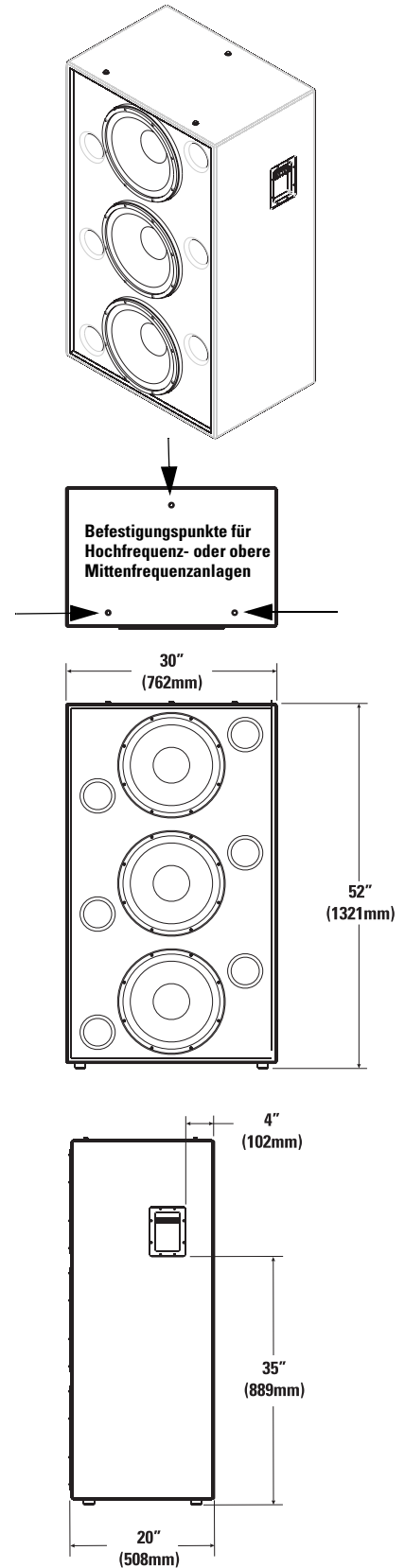
**Das Gehäuse ist nicht für Hänge-, Flug- oder Abspannanwendungen vorgesehen. Dieses Gehäuse darf weder aufgehängt noch in Flug- oder Abspannanwendungen eingesetzt werden.**

**Dieses Produkt kann Schalldruckpegel erzeugen, die permanenten Gehörschaden verursachen können. Den Schalldruckpegel stets auf einen Pegel im Hörbereich einstellen, der keinen Gehörschaden verursacht.**

**Die Installation von einem lizenzierten Fachtechniker gemäß der Anleitung von QSC Audio Products vornehmen lassen. Nur von QSC Audio Products, Inc. spezifizierte Befestigungskomponenten, Montagezubehör oder Halterungen verwenden. Wartungsarbeiten nur von qualifiziertem Personal ausführen lassen. Wartungsmaßnahmen sind erforderlich, wenn das Produkt auf irgendeine Weise beschädigt wurde.**



**ACHTUNG! Inspizieren Sie vor dem Aufstellen, Installieren, Verdrahten oder Aufhängen von Lautsprecherprodukten alle Befestigungsteile, Aufhängungen, Gehäuse, Wandler, Halterungen und damit in Verbindung stehende Vorrichtungen auf eventuelle Schäden. Fehlende, korrodierte, verformte oder nicht belastbare Komponenten könnten die Stabilität der Installation, der Aufstellung oder der Gerätekombination deutlich reduzieren. Jeder Zustand dieser Art bewirkt eine erhebliche Verringerung der Sicherheit der Installation und sollte umgehend behoben werden. Verwenden Sie ausschließlich Befestigungsteile, die für die Belastungsbedingungen der Installation zugelassen und für jede potenzielle, unerwartete, kurzfristige Überlastung ausgelegt sind. Die Nennleistung der Befestigungsteile bzw. Ausrüstung darf keinesfalls überschritten werden. In Zweifelsfällen oder bei Fragen zur Installation eines Geräts sollten Sie einen qualifizierten Techniker hinzuziehen.**

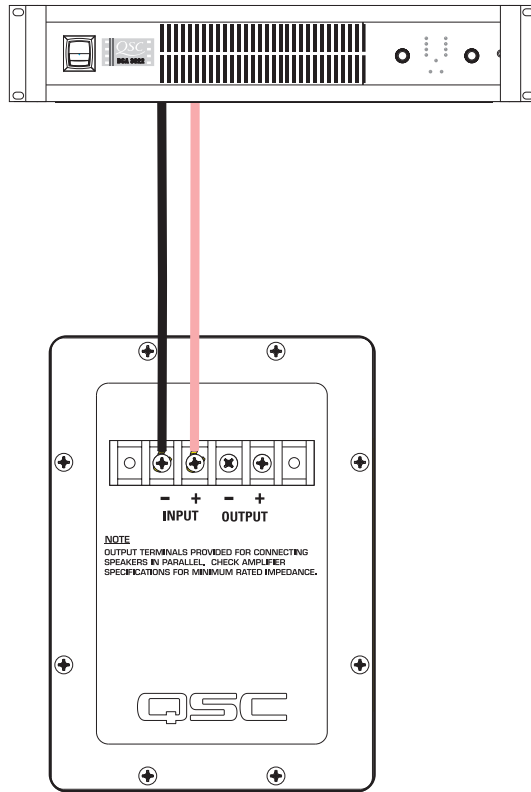


## Verbindungen

### Normaler Anschluss

Das Modell LF-4315 wird über Barrier-Strip-Schraubklemmen angeschlossen. Die Klemmen können Lautsprecher-Litzendraht bis zu einer Stärke von 10 AWG (5,3 mm<sup>2</sup>) aufnehmen. Bei der Installation stets den größtmöglichen Leiterquerschnitt und die kürzeste Leiterlänge verwenden. Die Polaritätsmarkierungen beachten und zur Erzielung optimaler Leistung auf eine gleich bleibende Polarität in der gesamten Anlage achten.

### Beispiel eines normalen Anschlusses:

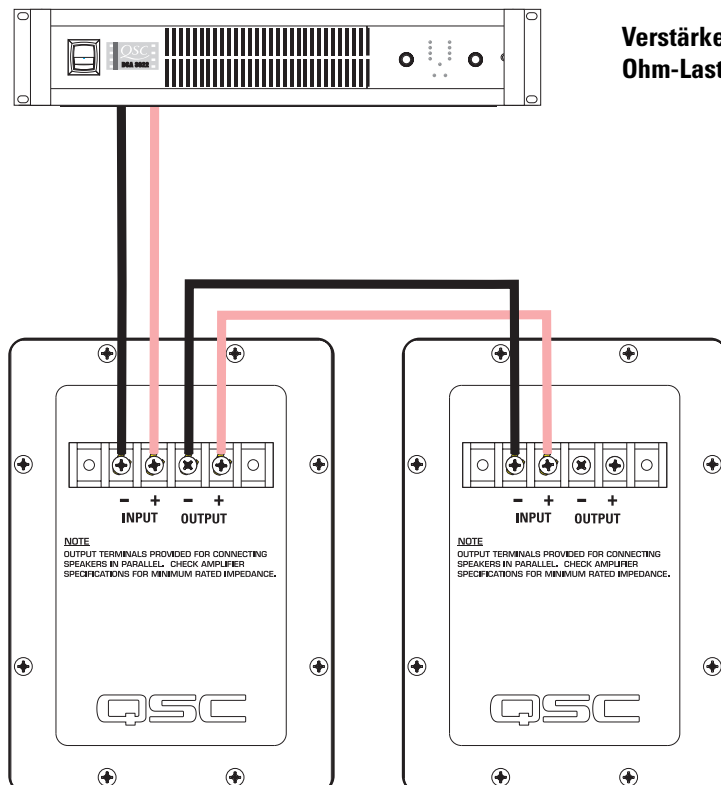


Verstärker kann 5,5-Ohm-Lasten treiben

### Paralleler Anschluss des zweiten LF-4315

Ein weiterer LF-4315 kann über die mit der Bezeichnung **OUTPUT** gekennzeichnete Klemme parallel angeschlossen werden. Die Drähte wie in der rechten Abbildung dargestellt anschließen.

### Beispiel eines parallelen Anschlusses:

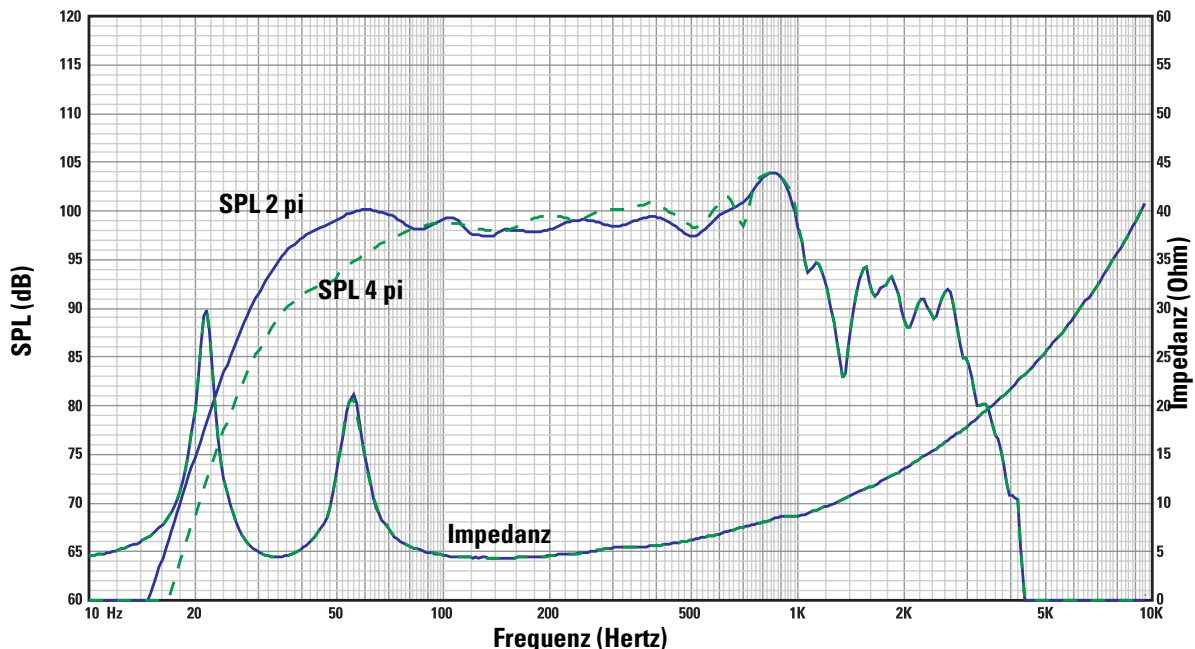


Verstärker kann 2,75-Ohm-Lasten treiben

## **LF-4315 - Technische Daten (können jederzeit ohne vorherige Mitteilung geändert werden)**

<b>Frequenzbereich:</b>	32 Hz - 1200 Hz (-6 dB) Nutzbereich 28 - 2800 Hz (-10 dB)
<b>Nominelle Abstrahlung:</b>	125° horizontal x 60° vertikal bei 315 Hz
<b>Maximale Ausgabe:</b>	136,0 dB berechneter Spitzen-SPL, 1 m, Halbraum bei effektiver Nennleistung mit Rosa-Rauschen-Eingang-Crestfaktor von 6 dB, 35 - 1.000 Hz; 130,0 dB berechneter kontinuierlicher Maximal-SPL, 1 m Schallquellen, die permanenten Gehörschaden verursachen können, werden in der Regel mithilfe der dBA-Skala identifiziert.
<b>Impedanz:</b>	5,5 Ohm (nominal) 4,5 Ohm min., 150 Hz 30 Ohm max., 22 Hz
<b>Maximale Eingangsleistung:</b>	1200 W eff. (8 Stunden bei Rosa-Rauschen mit einem Crestfaktor von 6 dB, 40 - 400 Hz) 1500 W eff. (2 Stunden bei Rosa-Rauschen mit einem Crestfaktor von 6 dB, 40 - 400 Hz) Empfohlene Verstärkerleistung: max. 2.400 W eff. über 4 Ohm (je LF-4315)
<b>Empfindlichkeit:</b>	99,0 dB Halbraum, 98,0 dB Vollraum, 35 - 1000 Hz, 1 W, 1 m
<b>Empfohlene Verarbeitung:</b>	Untertonfrequenzfilter unter 25 Hz, >18 dB je Oktave, empfohlene maximale Crossover-Frequenz: 500 Hz QSC DSP-Konfigurationen können im Internet unter <a href="http://www.qscaudio.com">www.qscaudio.com</a> eingesehen werden. Parameter für alternative Verarbeitungshardware sind auf Anfrage erhältlich.
<b>Anschlüsse:</b>	Barrier-Strip-Schraubklemmen für Litzendraht-Querschnitt bis zu 10 AWG (5,3 mm <sup>2</sup> ). 4 Klemmen: 2 Eingangsklemmen ( <b>INPUT</b> ) und 2 parallele Ausgangsklemmen ( <b>OUTPUT</b> ).
<b>Wandler:</b>	Drei 15-Zoll- (381-mm-) Hochleistungs-Niederfrequenzwandler mit belüfteter 4-Zoll- (100-mm-) Kupfer-Schwingspule auf Kapton® Schablonen. Für hohe Auslenkung/geringe Verzerrung, äußerst hohe Belastbarkeit und geringe Wärmekomprimierung.
<b>Gehäuse:</b>	Quasi-B4-Ausrichtung, Vollradius-Öffnungen, geringe Luftgeräusche durch symmetrische Öffnungsanordnung, auf 34 Hz abgestimmt, aus Pressspanplatten mittlerer Dichte gefertigt und stabil verstrebt. Vandalismussichere Tieftonlautsprecher-Montagebolzen.
<b>Größe:</b>	762 mm breit x 1321 mm hoch x 508 mm tief
<b>Gewicht:</b>	Versandgewicht 132 kg, Nettogewicht 118 kg

**SPL und Impedanz im Verh. zur Frequenz, LF-4315**



## **Garantie (nur für die USA; wenden Sie sich zwecks Garantieinformationen für andere Länder an Ihren Händler oder Distributor)**

### **Haftungsausschluss**

QSC Audio Products, Inc. ist nicht für Schäden an Verstärkern oder anderen Geräten haftbar, die durch Fahrlässigkeit oder eine unsachgemäße Installation und/oder Verwendung dieses Lautsprecherprodukts verursacht werden.

### **Beschränkte Dreijahresgarantie durch QSC Audio Products**

QSC Audio Products, Inc. („QSC“) gewährleistet, dass seine Produkte für einen Zeitraum von drei (3) Jahren ab dem Kaufdatum keine Material- und/oder Ausführungsfehler aufweisen werden, und QSC verpflichtet sich zum Ersatz defekter Teile und zur Reparatur funktionsgestörter Produkte gemäß dieser Garantie, wenn dieser Fehler bei einer normalen Installation und unter normalen Gebrauchsbedingungen auftritt – vorausgesetzt, dass das Gerät unter Vorauszahlung der Transportkosten und zusammen mit einer Kopie des Kaufnachweises (z.B. der Kaufquittung) an unser Werk zurückgeschickt oder an eine unserer autorisierten Kundendienststellen eingeschickt wird. Diese Garantie setzt voraus, dass die Prüfung des zurückgeschickten Produkts in unserem Ermessen einen Herstellungsdefekt zu erkennen gibt. Diese Garantie erstreckt sich auf keine Produkte, die einer unsachgemäßen oder fahrlässigen Behandlung, Unfällen oder einer unvorschriftsmäßigen Installation unterlagen, oder deren Datumscode entfernt oder unkenntlich gemacht wurde. QSC ist für keine Neben- und/oder Folgeschäden haftbar. Diese Garantie gewährt Ihnen bestimmte Rechte. Diese beschränkte Garantie ist während der Garantiezeit frei übertragbar.

Manche Kunden können je nach Rechtsprechung zusätzliche und andere Rechte besitzen.

Falls dieses Produkt zum Export und Verkauf außerhalb der Vereinigten Staaten oder deren Hoheitsgebieten hergestellt wurde, besitzt diese eingeschränkte Garantie keine Gültigkeit. Die Entfernung der Seriennummer auf diesem Produkt oder der Kauf dieses Produkts von einem nicht autorisierten Händler macht diese beschränkte Garantie unwirksam. Diese Garantie wird gelegentlich aktualisiert. Die jeweils aktuellste Version der Garantieerklärung von QSC finden Sie im Internet unter [www.qscaudio.com](http://www.qscaudio.com). Sie erreichen uns telefonisch unter +1 800-854-4079 (gebührenfrei in den USA und Kanada) oder im Internet unter [www.qscaudio.com](http://www.qscaudio.com).

## **Kontaktaufnahme mit QSC Audio Products**

Postanschrift: QSC Audio Products, Inc.  
1675 MacArthur Boulevard  
Costa Mesa, CA 92626-1468 USA

Telefonnummern:

Zentrale: +1 (714) 754-6175

Verkauf und Marketing +1 (714) 957-7100 oder gebührenfrei (nur in den USA) +1 (800) 854-4079

Kundendienst +1 (714) 957-7150 oder gebührenfrei (nur in den USA) +1 (800) 772-2834

Fax-Nummern:

Verkauf und Marketing (Fax) +1 (714) 754-6174

Kundendienst (Fax) +1 (714) 754-6173

Internet:[www.qscaudio.com](http://www.qscaudio.com)

E-Mail:[info@qscaudio.com](mailto:info@qscaudio.com)

[service@qscaudio.com](mailto:service@qscaudio.com)



QSC Audio Products, Inc. 1675 MacArthur Boulevard Costa Mesa, California 92626 USA

©2004 „QSC“ und das QSC-Logo sind beim US-Patent- und Markenamt angemeldet.

Kapton® ist eine eingetragene Marke von E.I. du Pont de Nemours and Company.





1675 MacArthur Blvd., Costa Mesa, CA 92626  
 主要号码 (714) 754-6175 销售和部门 (714) 957-7100 或免费电话 (仅限美国)  
 (800) 854-4079 客服 (714) 957-7150 或免费电话 (仅限美国) (800) 772-2834

## 影院扬声器系统用户手册

# LF-4315 低频扬声器

### 简介

LF-4315 15" (381 毫米) 的低频机壳专为影院应用设计。LF-4315 和传统“摇滚”低音系统的不同之处在于它可以满足影院对扩展低频响应的要求。根据高频系统的要求, LF-4315 可覆盖 30 赫兹到 500 赫兹的频率范围。

三个定制 400 瓦, 15" 变频器专为影院使用开发。它们采用 4" (100mm) 音圈, 120 oz. (3.4kg) 陶瓷磁铁和多通风极片 (确保低温运行)。较低温度可以增加变频器的寿命, 并且减少高功率下的功率压缩问题。低切极片确保音圈在对称磁隙 (SMG) 中运行, 从而减少了二次谐波失真。变频器的支架和音圈可保证在高功率下的低失真和高重低音。

机罩由优质中等密度纤维板制成, 所有面板都有加强支架支持。内部和外部端口开口都经过全辐射处理, 确保气流在较高功率下可以平稳通过端口, 防止声音端口气流紊乱。

低音端口均匀地分布在变频器两侧, 使通过变频器背表面的内部压力更加一致。这样就防止了圆锥由于力量失衡而被错误地放置在一边或另一边, 从而减少了高功率下将音圈赶出空隙中心的情况。

机罩上部的 3 个 T 形螺母使得安装 QSC HF-75 高频系统或 MH-1075 中高频系统更加容易。



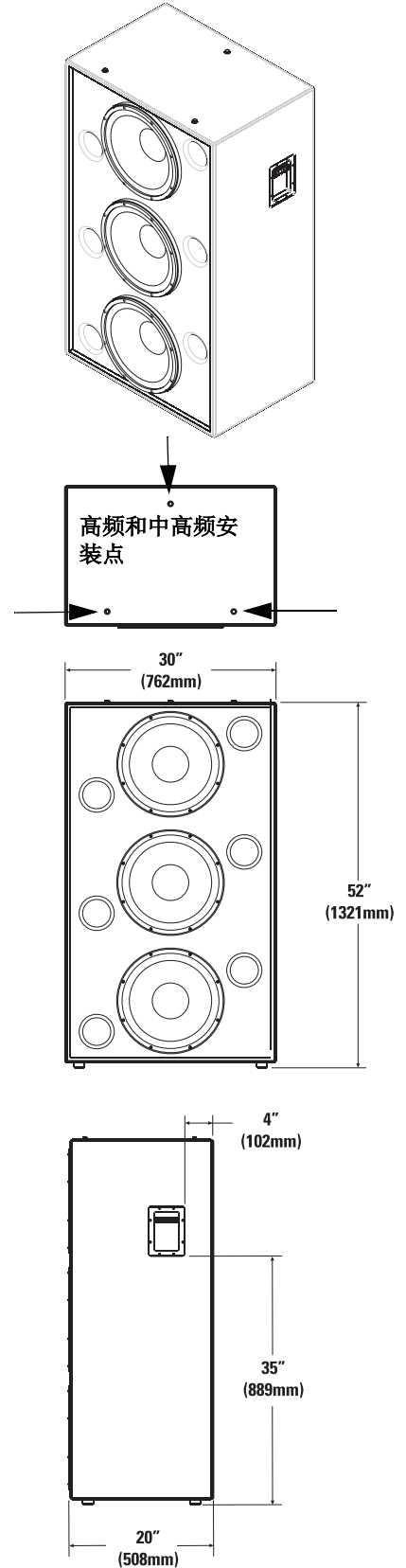
**机罩并没有设计成悬挂式、可操纵式、或装配式。请勿对此机罩进行悬挂、操纵或装配。**

此产品可产生对人类听觉造成永久损伤的声压强度。请将听音区域内的声压强度总是保持在不会对人的听力造成损伤的水平。

按照 QSC Audio Product 的说明并在授权的专业工程师的指导下安装。仅限使用 QSC Audio Product 公司规定的附件、底座、零件或支架。所有维护请由合格的专业人士进行。设备如果受到损坏, 就需要进行维修。



**警告!** 放置、安装、装配或悬挂扬声器产品时, 检查所有硬件、悬架、搁柜、变频器、支架和相关设备有无损坏。任何额定部件的缺失、腐蚀、变形或未装载都可能大大降低安装、放置或排列的强度。出现任何严重降低安装安全度的情况应立即更正。仅限使用额定安装的硬件及任何可能的短期突发超载。切勿超过硬件或设备的额定标准。如有任何关于物理设备安装的疑问或问题, 请咨询获得许可的专业工程师。

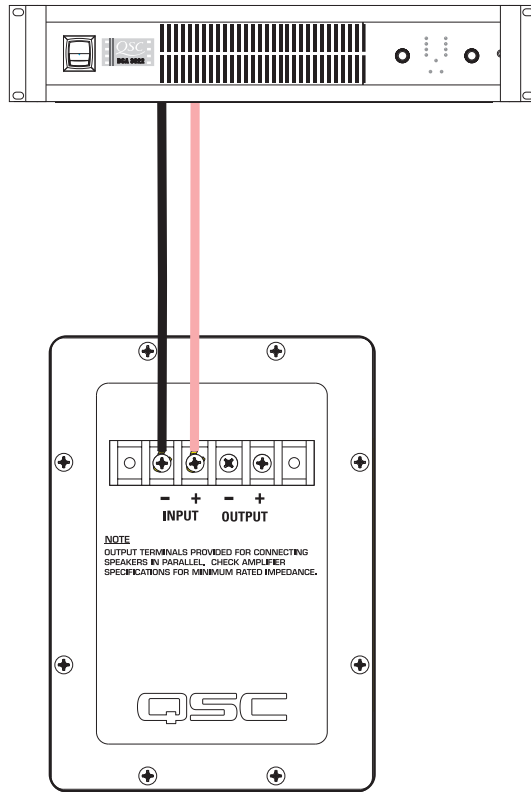


# 连接

## 正常连接样例

### 正常连接

LF-4315 具有用于连接的阻挡带螺旋式终端。此终端接受高达 #10 AWG (5.3mm<sup>2</sup>) 的绞合式扬声器电线。对于特定的安装，尽可能使用最大电线尺寸和最短电线长度。观察极性标志，确保整个系统极性一致，以便获得最佳表现。

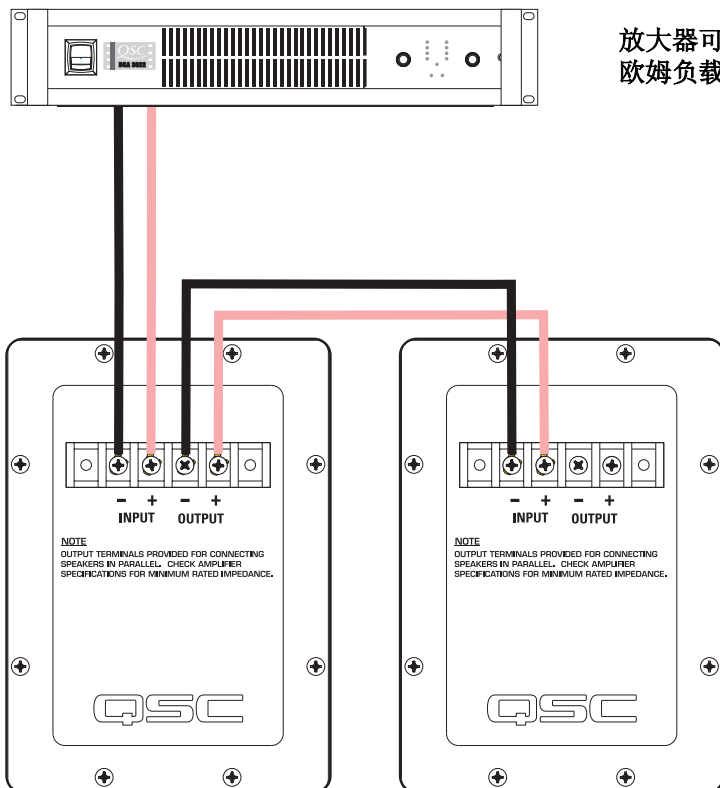


放大器可以带动 5.5 欧姆负载

### 第二个 LF-4315 并联连接

标记为 OUTPUT 的终端可用于并联另一个 LF-4315。按照右图所示连接线路。

## 并联样例

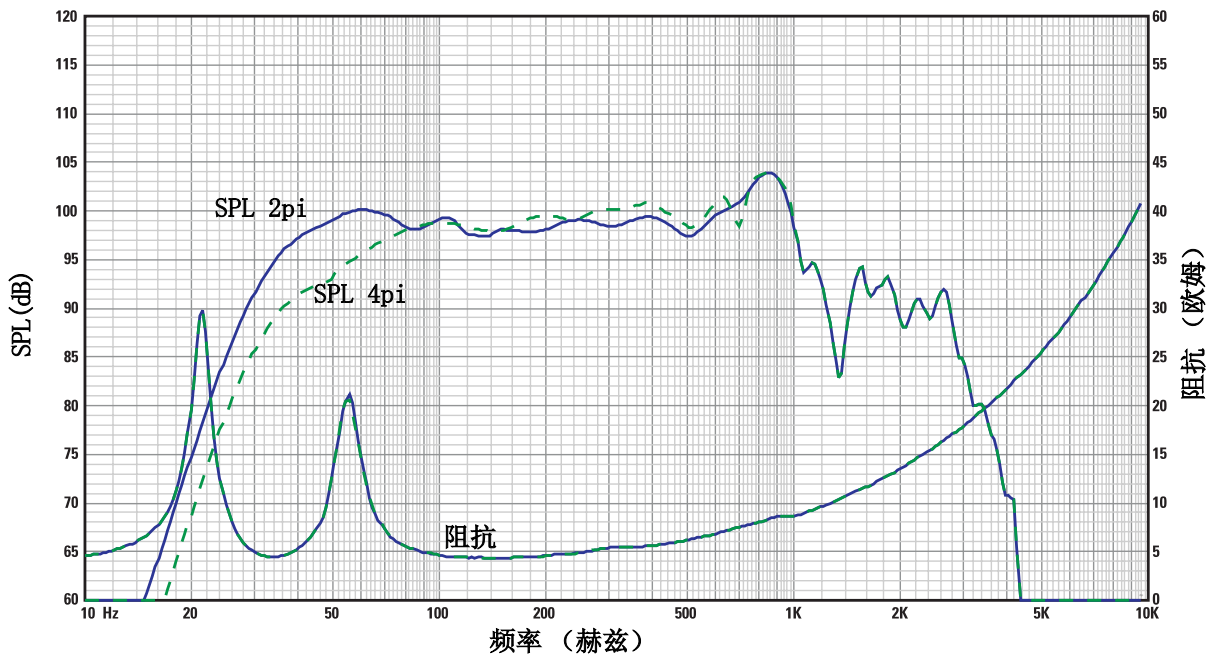


放大器可以带动 2.75 欧姆负载

## LF-4315 产品规格 (如有改变恕不另行通告)

频率范围:	32 - 1200 赫兹 (-6dB) 28 - 2800 赫兹可用范围 (-10dB)
标称范围:	125° 水平 X 60° 垂直, 315 赫兹
最大输出:	136.0 dB SPL 计算峰值, 1 米, 半间距, 在额定 rms 功率带 6 dB 振幅因子粉红噪音输入, 35 - 1000 赫兹。 130.0dBA SPL 计算最大连续, 1 米。通常使用 dBA 尺以确定会造成永久听力损失的声源。
阻抗:	标称 5.5 欧姆 最小 4.5 欧姆, 150 赫兹 最大 30 欧姆, 22 赫兹
最大输入功率:	1200 瓦 rms (6dB 振幅因子粉红噪音 8 小时, 40 - 400 赫兹) 1500 瓦 rms (6dB 振幅因子粉红噪音 2 小时, 40 - 400 赫兹) 推荐放大器功率 - 2400 瓦 rms 最大到 4 欧姆 (每 LF-4315)
灵敏度:	99.0dB 半间距, 98.0dB 全间距, 35 - 1000 赫兹, 1 瓦, 1 米
推荐处理:	次音速过滤低于 25 赫兹, 每八度音程大于 18 dB, 推荐的最大分频频率为 500 赫兹。从 <a href="http://www.qscaudio.com">www.qscaudio.com</a> 网站可获得 QSC DSP 的配置情况。如有要求即可获得替换处理硬件的参数。
连接器:	阻挡带螺旋式终端接受高达 #10 AWG (5.3mm <sup>2</sup> ) 绞合式布线。四个终端 (两个 INPUT 和两个并行 OUTPUT)。
变频器:	三个 15" (381 毫米) 高效低频变频器通风式 4" (100 毫米) Kapton <sup>®</sup> 线圈架上的铜音圈。高偏移 / 低失真设计, 带超高功率处理, 以及低温压缩。
机罩:	类似的 B4 对齐, 端口机罩带全喇叭形端口, 低紊流对称端口设计, 调整为 34 赫兹, 由中密度纤维板和重型支撑构成。具有防破坏低音喇叭安装螺丝的特点。
尺寸:	30" (宽) X 53" (高) X 20" (深) (762mm X 1321mm X 508mm)
重量:	290 lbs. 运输, 260 lbs. 净重 (132/118 kg.)

SPL 和阻抗 vs. 频率



## 保修（仅限美国；其它国家，请联系您的经销商或分销商）

### 声明

QSC Audio Products, Inc. 不承担因疏忽、或不当安装和 / 或不当使用本放大器产品而对扬声器或任何其它设备造成损坏的任何责任。

### QSC Audio Products 3 年有限质保协议。

QSC Audio Products, Inc. (QSC) 担保其产品自销售日起三年内不会发生材料或制造工艺缺陷，若在正常安装和使用条件下发生的损坏，QSC 将按照本质保协议更换有缺陷的零件和维修故障产品 - 但您要将本产品送回我们的工厂或任一授权维修点，预付运送费用并附带一份购买证明即销售收据影印本。此质保协议规定，退回的产品检查必须标明经我们判断的制造缺陷。本质保不适用于任何因误用、疏忽、意外事故、不正确地安装，或日期编码被去掉或破损的产品。QSC 不对意外和 / 或间接发生的损害承担责任。此质保赋予您特定的法律权力。此有限质保在保证期内可自由转让。

在不同的州，顾客可能会有额外的权利。

此质保协议不适用于为出口或不在美国销售而生产的产品。产品上缺少序列号，或者从非授权销售商处购买此产品，将失去此有限质保协议。此质保协议定期更新。请浏览：[www.qscaudio.com](http://www.qscaudio.com)，获得最新版本的 QSC 质保协议声明，联系我们：800-854-4079，或访问我们的网站：[www.qscaudio.com](http://www.qscaudio.com)。

## 联系 QSC Audio Products

通信地址 :QSC Audio Products, Inc.  
1675 MacArthur Boulevard  
Costa Mesa, California 92626-1468 USA

### 电话:

主要号码 (714) 754-6175

销售和市场部门 (714) 957-7100 或免费电话 (仅限美国) (800) 854-4079

客服 (714) 957-7150 或免费电话 (仅限美国) (800) 772-2834

### 传真:

销售与市场部门传真 (714) 754-6174

客服传真 (714) 754-6173

网址 [www.qscaudio.com](http://www.qscaudio.com)

E-mail:[info@qscaudio.com](mailto:info@qscaudio.com)

[service@qscaudio.com](mailto:service@qscaudio.com)



QSC Audio Products, Inc. 1675 MacArthur Boulevard Costa Mesa, California 92626 USA

©2004 “QSC” 以及 QSC 的标志在美国专利和商标局注册。

Kapton® 为 E. I. du Pont de Nemours and Company 的注册商标。