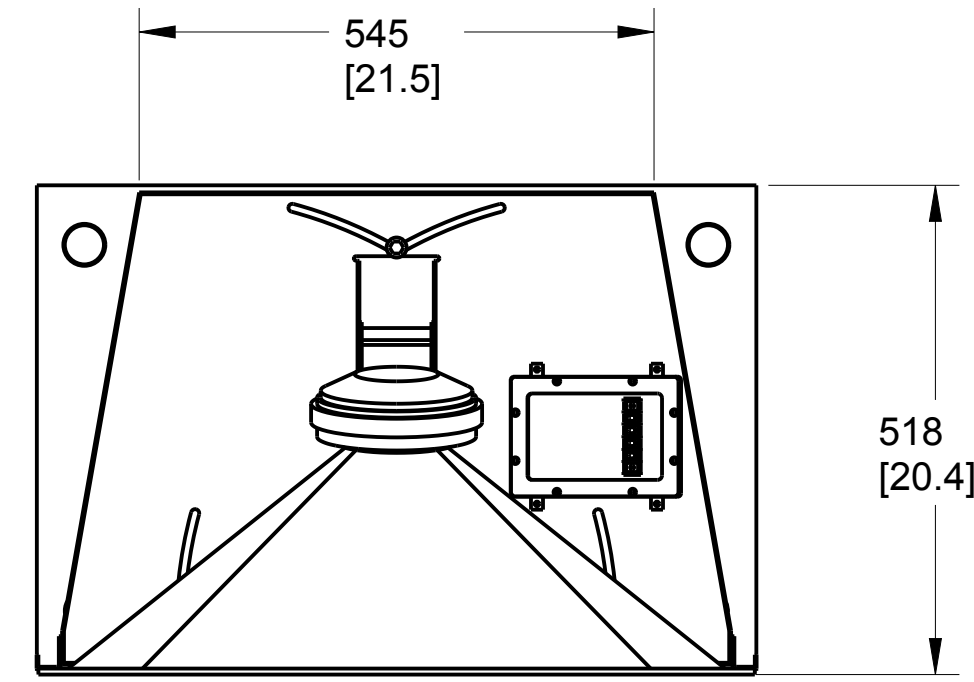
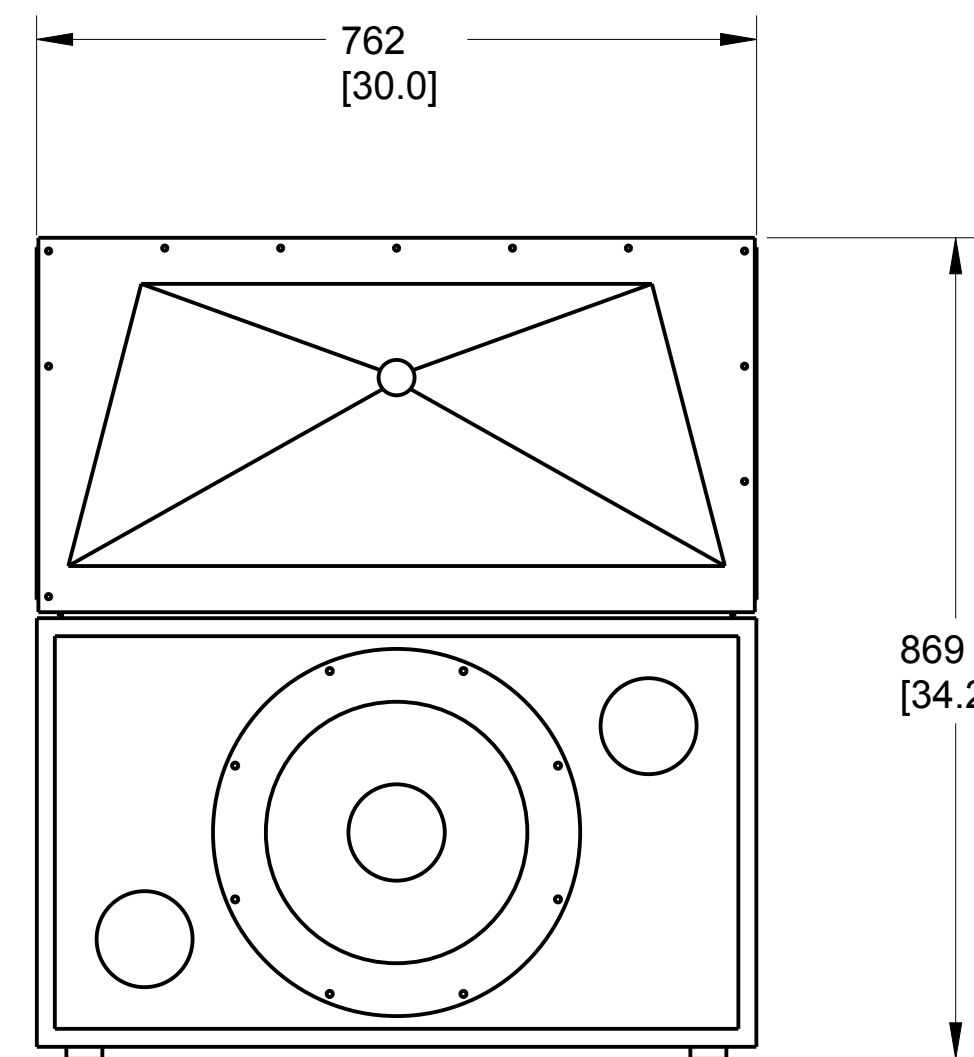
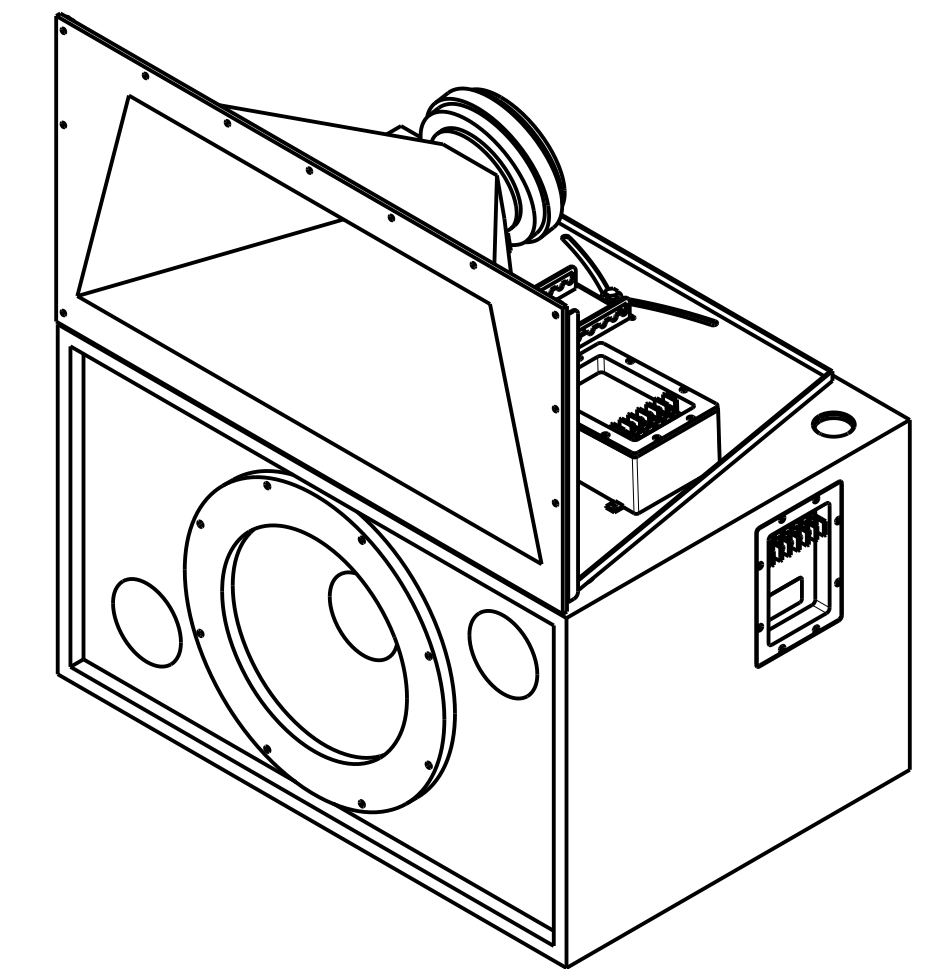


THIS DOCUMENT CONTAINS PROPRIETARY INFORMATION WHICH IS THE PROPERTY OF QSC, LLC. THAT MAY NOT BE DISCLOSED, REPRODUCED OR USED WITHOUT EXPRESS WRITTEN CONSENT FROM QSC, LLC.

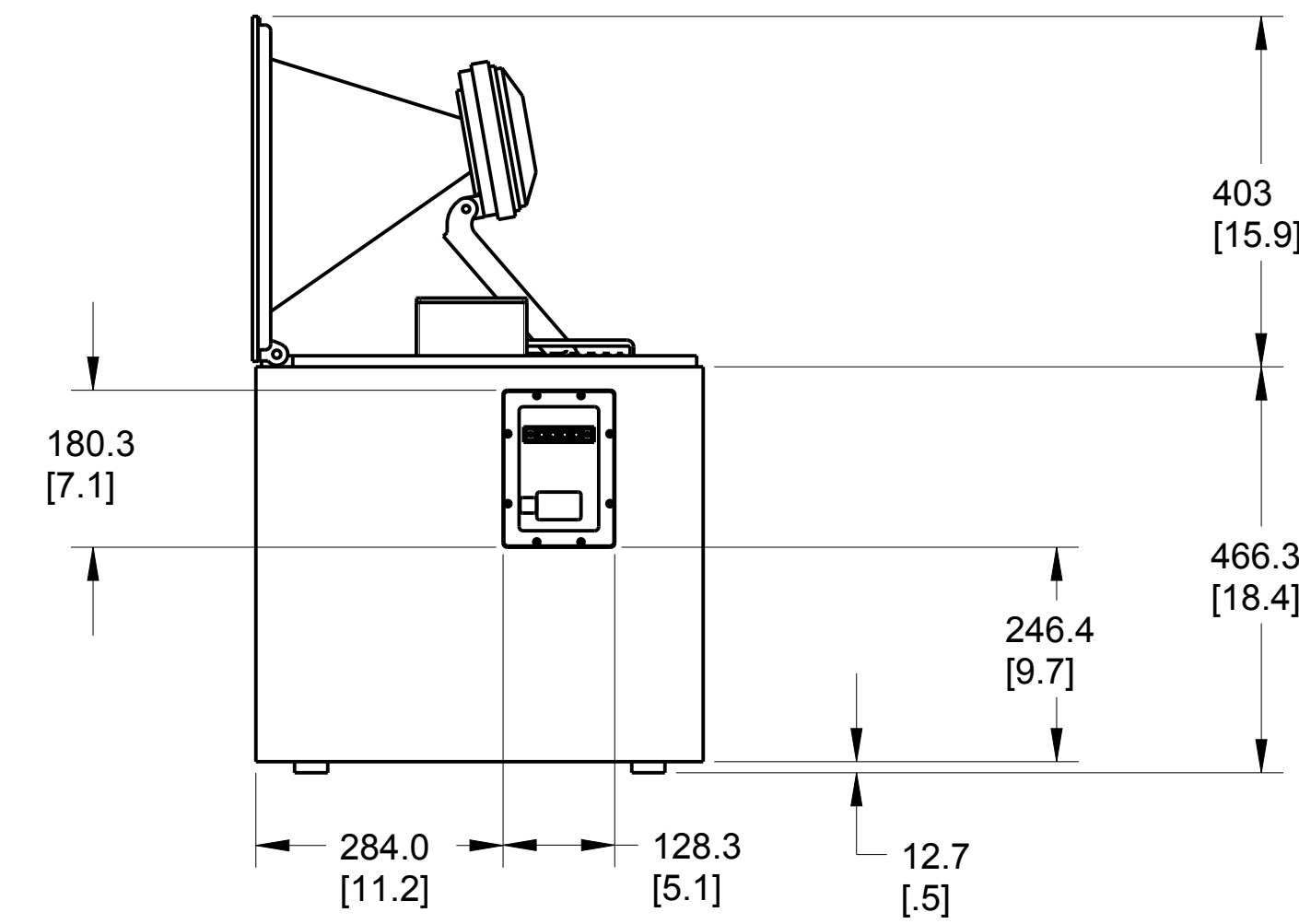
REVISIONS			
REV	DESCRIPTION	BY	DATE
A	RELEASE FOR SALES AND MARKETING	ES	27-SEP-16



TOP



FRONT



RIGHT

- 3. DIMENSIONS ARE IN MILLIMETERS [INCH].
- 2. TOLERANCES (MM): X ± 3, ANGLES: ± 1°.
- 1. NET WEIGHT APPROX. 123 LBS (56.4 KG).

NOTES: UNLESS OTHERWISE SPECIFIED

UNLESS OTHERWISE SPECIFIED DIMENSIONS IN MILLIMETERS [IN] TOLERANCES ARE: DECIMALS DECIMALS ANGLES X± .5[.02] XX± .25[.01] ± 1/2 DEBURR EDGES .25 [0.01] R MAX	DESIGNER	QSC, LLC 1675 MACARTHUR BOULEVARD COSTA MESA, CA 92626			
	ENGINEER	SPEAKER, FINISHED, SC-412C			
	TECHNICAL DIRECTOR				
	MANUFACTURING ENGINEER				
MATERIAL	DESIGNER	SIZE	CAGE CODE	DRAWING NO.	REV
FINISH	ENGINEER	D	00PW4	DCS-SC-412C-2D	A1
	TECHNICAL DIRECTOR	DRAWING INFO: DCS-SC-412C-2D.A1.0		MODEL INFO: DCS-SC-412C-3D.A1.0	SCALE: 0.125 DO NOT SCALE DRAWING SHEET 1 OF 1