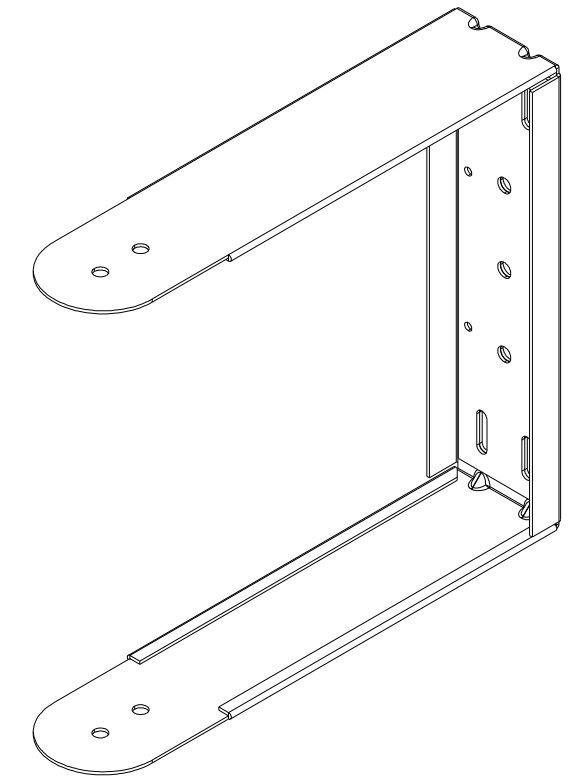
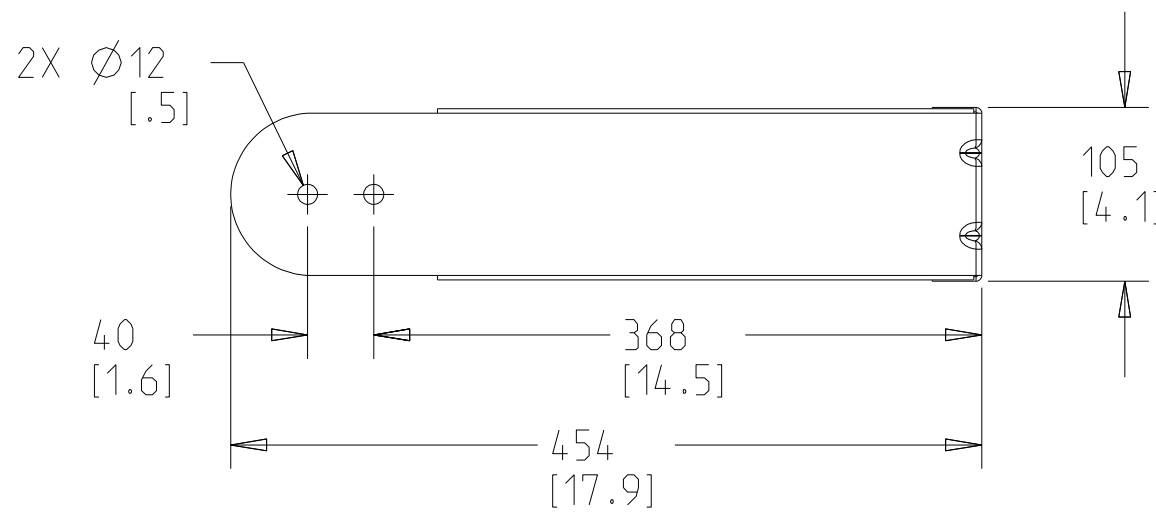
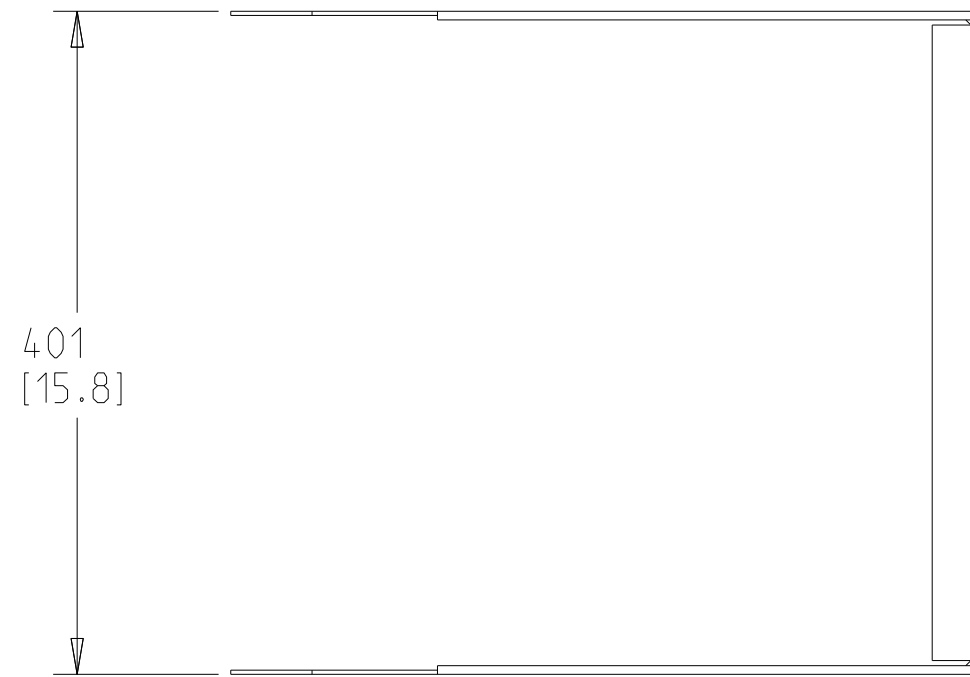
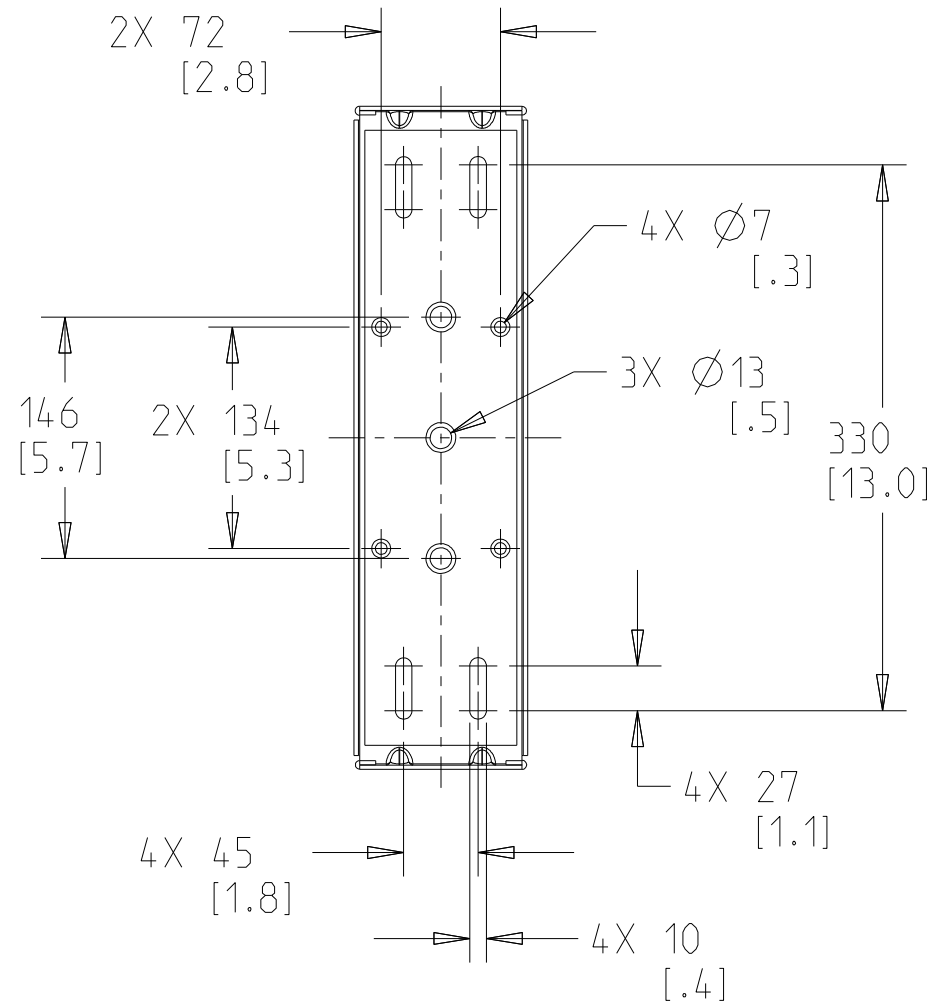


THIS DOCUMENT CONTAINS PROPRIETARY INFORMATION WHICH IS THE PROPERTY OF QSC AUDIO PRODUCTS, THAT MAY NOT BE DISCLOSED, REPRODUCED OR USED WITHOUT EXPRESS WRITTEN CONSENT FROM QSC AUDIO PRODUCTS.

REVISIONS

REV	ECO	DESCRIPTION	BY	EFF DATE	ISSUED
A	-	RELEASE	JD	23-JAN-13	-



SCALE 0.188

- 4. PARTS ARE SYMMETRICAL ABOUT CENTER LINES UNLESS OTHERWISE NOTED.
 - 3. SYMBOL \odot INDICATES SUSPENSION POINT.
 - 2. TOLERANCES (MM): $X \pm 3$, ANGLES: $\pm 1^\circ$.
 - 1. NET WEIGHT APPROX. 4.6 KG (10 LBS)
- NOTE: UNLESS OTHERWISE SPECIFIED

UNLESS OTHERWISE SPECIFIED DIMENSIONS IN MILLIMETERS (IN)		
TOLERANCES ARE:		
DECIMALS	DECIMALS	ANGLES
.X \pm .5[.02]	.XX \pm .25[.010]	$\pm 1/2$
DEBURR EDGES .25 [.010] R MAX		
MATERIAL		
FINISH		

APPROVALS	DATE (DD-MMM-YY)
DRAWN J. DELARM	19-NOV-12
CHECKED P. SANCHEZ	23-JAN-13
MFG ENG N/A	-
QA CHECK N/A	-
DRAWING INFO: FG-000393-2D.A.1	
MODEL INFO: FG-000392-3D.A.1	

QSC		QSC AUDIO PRODUCTS, LLC 1675 MACARTHUR BOULEVARD COSTA MESA, CA 92626		
ACCESSORY, YOKE MOUNT, AP-5122M				
SIZE	CAGE CODE	DRAWING NO.	REV	
B	00PW4	FG-000393-2D	A	
SCALE: 0.125		DO NOT SCALE DRAWING	SHEET 1 OF 1	