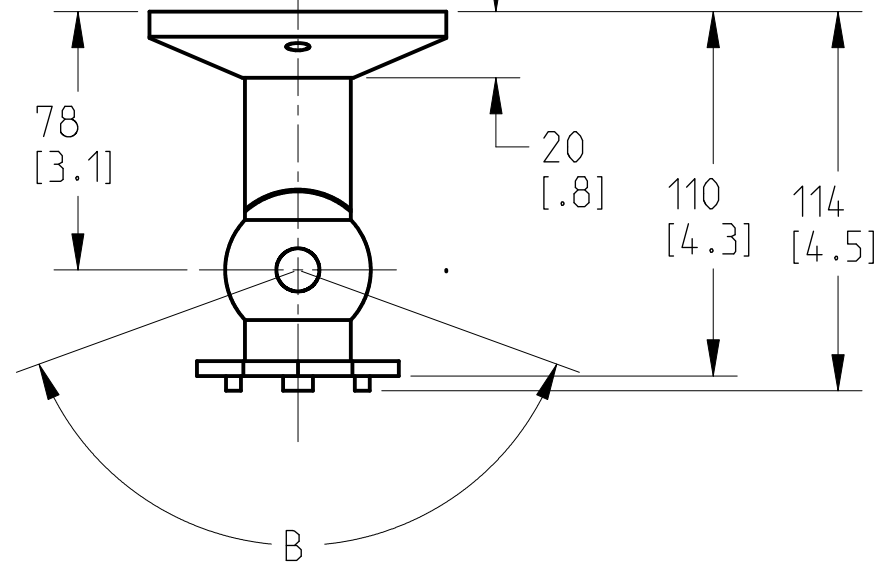
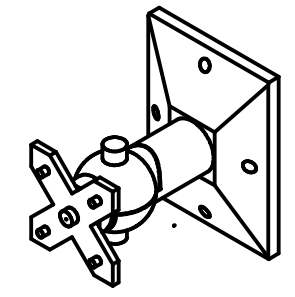


THIS DOCUMENT CONTAINS PROPRIETARY INFORMATION WHICH IS THE PROPERTY OF QSC AUDIO PRODUCTS, THAT MAY NOT BE DISCLOSED, REPRODUCED OR USED WITHOUT EXPRESS WRITTEN CONSENT FROM QSC AUDIO PRODUCTS.

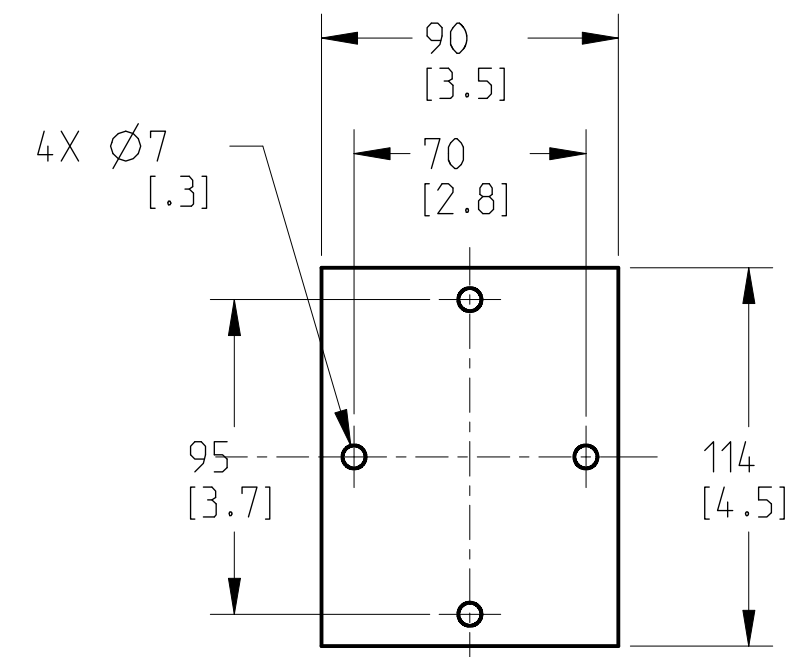
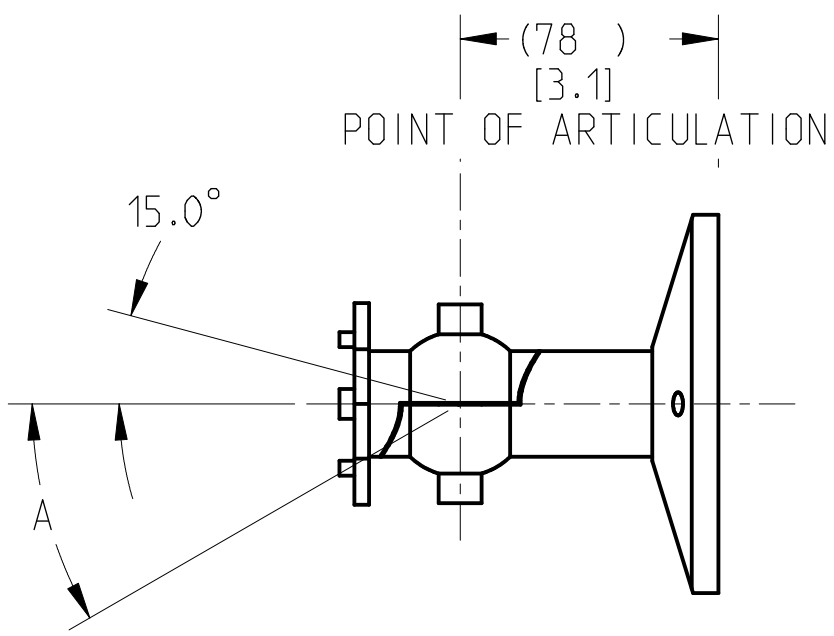
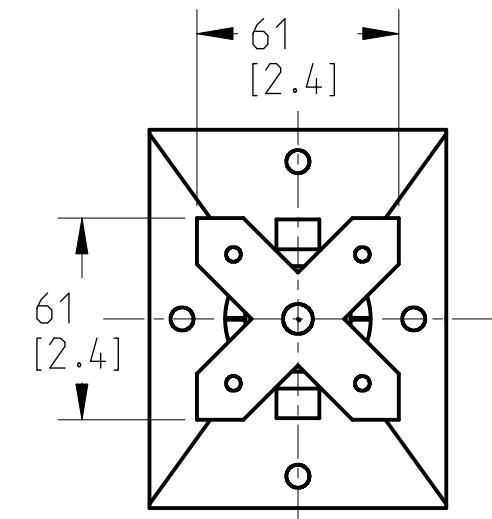
REVISIONS					
REV	ECO	DESCRIPTION	BY	EFF DATE	ISSUED
A	-	RELEASE	AA	19-MAY-14	-



MODEL	DIM A	DIM B
S6T	30.0°	120.0°



SCALE 0.250



- 3. PARTS ARE SYMMETRICAL ABOUT CENTER LINES UNLESS OTHERWISE NOTED.
  - 2. TOLERANCES (MM): X ± 3, ANGLES: ± 1°.
  - 1. NET WEIGHT APPROX. 0.3 KG (1 LBS)
- NOTE: UNLESS OTHERWISE SPECIFIED

<p>UNLESS OTHERWISE SPECIFIED DIMENSIONS IN MILLIMETERS (IN)</p> <p>TOLERANCES ARE:</p> <p>DECIMALS    DECIMALS    ANGLES</p> <p>.X±.5[.02]    .XX±.25[.010]    ± 1/2</p> <p>DEBURR EDGES .25 [.010] R MAX</p> <p>MATERIAL</p> <p>FINISH</p>	APPROVALS	DATE (DD-MMM-YY)
	DRAWN A. ARANDA	16-MAY-14
	CHECKED J. DELARM	19-MAY-14
	MPG ENG T. NIE	MKT 19-MAY-14
	QA CHECK N/A	-
	DRAWING INFO: RD-000589-2D.A.1	
MODEL INFO: RD-000589-3D.A.0		

**QSC** QSC AUDIO PRODUCTS, LLC  
1675 MACARTHUR BOULEVARD  
COSTA MESA, CA 92626

W ALL MOUNT,  
AD-S6T

SIZE	CAGE CODE	DRAWING NO.	REV
B	00PW 4	RD-000589-2D	A
SCALE: 0.438		DO NOT SCALE DRAWING	SHEET 1 OF 1