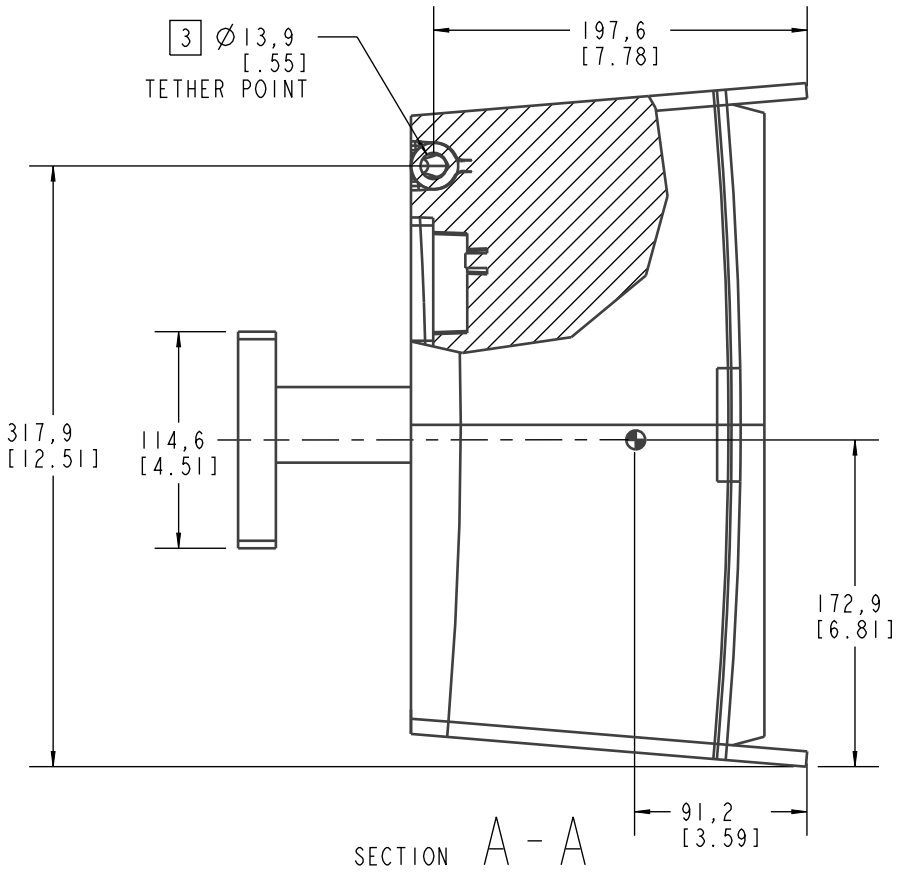
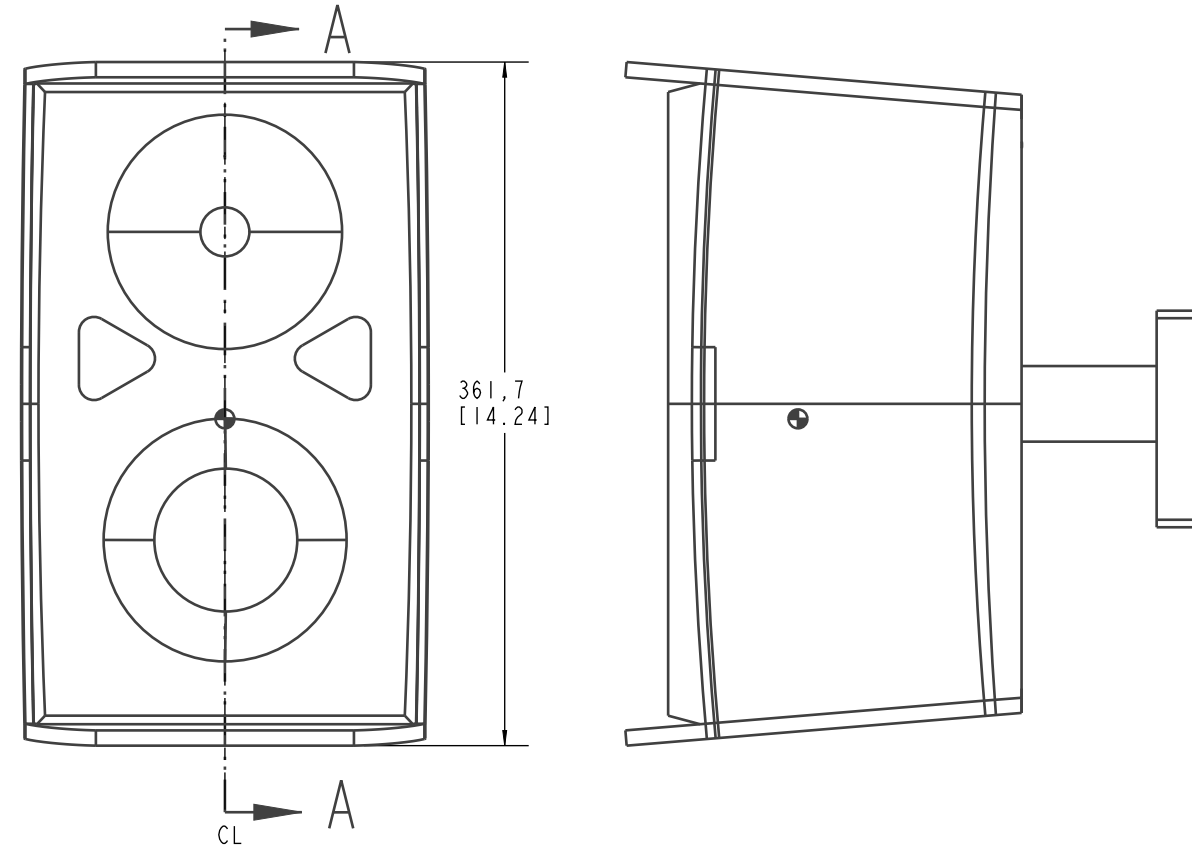
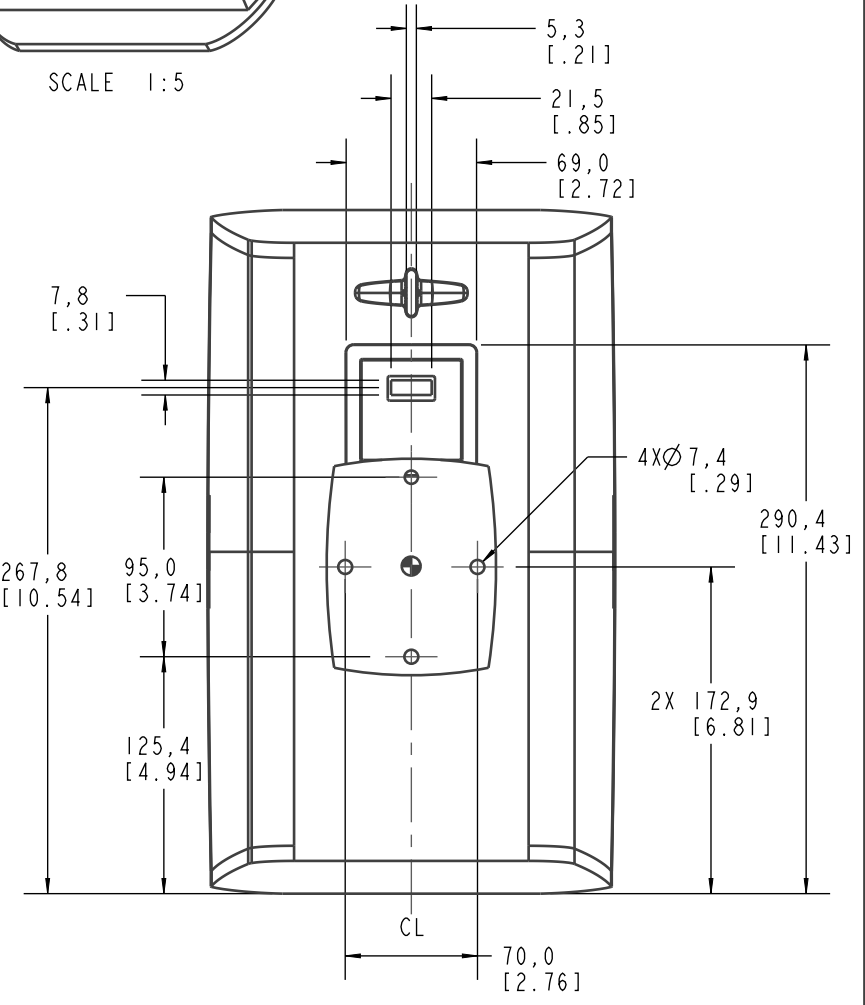
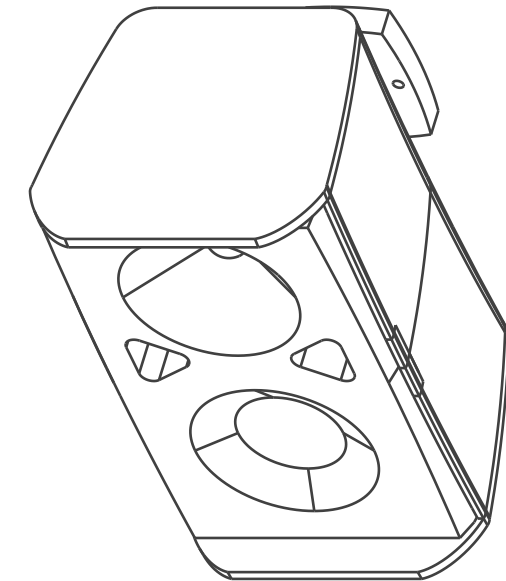
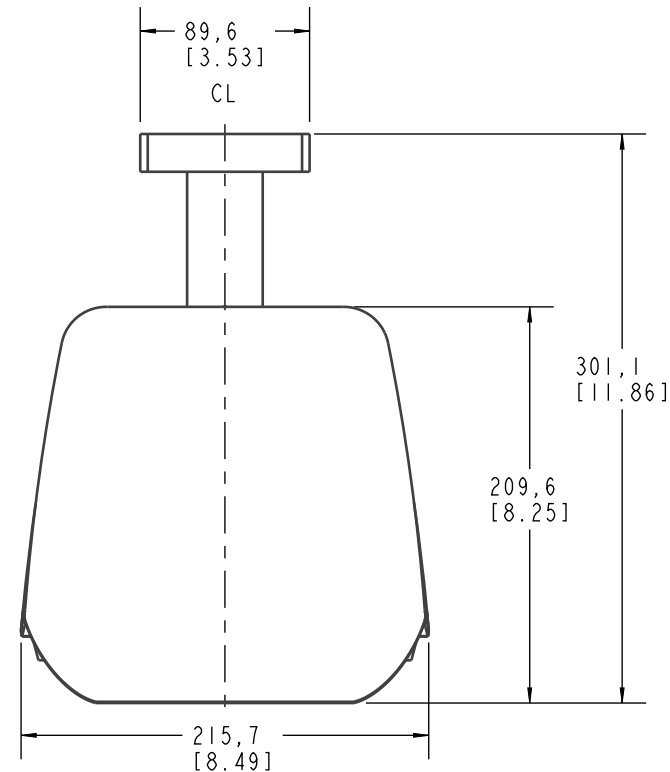


THIS DOCUMENT CONTAINS PROPRIETARY INFORMATION WHICH IS THE PROPERTY OF QSC, LLC. THAT MAY NOT BE DISCLOSED, REPRODUCED OR USED WITHOUT THE EXPRESS WRITTEN CONSENT FROM QSC, LLC.

REV		DESCRIPTION	BY	DATE
A		INITIAL RELEASE	H. HE	7-MAR-19



6. GRILLE NOT SHOWN FOR CLARITY.
 5. DIMENSIONS ARE IN MILLIMETERS [INCH].
 4. SYMBOL \odot INDICATES CENTER OF GRAVITY;
 3. SYMBOL \odot INDICATES TETHER POINT OF EYEBOLT, IPLACE.
 2. PARTS ARE SYMMETRICAL ABOUT CENTER LINES UNLESS OTHERWISE NOTED.
 1. NET WEIGH APPROX 11.0 KG [24.0 LBS].
- NOTE: UNLESS OTHERWISE SPECIFIED.

UNLESS OTHERWISE SPECIFIED DIMENSIONS ARE IN MM [IN]		CAD GENERATED DRAWING DO NOT MANUALLY UPDATE		QSC, LLC 1675 MACARTHUR BOULEVARD COSTA MESA, CA 92626 USA	
TOLERANCES ARE:		APPROVALS		FINISHED GOOD, LOUDSPEAKER, AD-S6 FULL RANGE 6"	
DECIMALS	ANGLES	DRAWN BY H. HE		SIZE	CAGE CODE
.X±3.0 [.12]	±1°	MECH ENGINEER B. HAWKINS		B	00PW4
.XX±		TECH DIRECTOR J. SANDERS		DWG. NO.	FG-901320-2D
MATERIAL	N/A	MFG ENGINEER T. WONG		REV	A
FINISH	N/A	DO NOT SCALE DRAWING		SCALE: 1:4	CAD FILE: FG-901320-2D.A.2
PROJECTION SYMBOL		SHEET: 1 OF 1		Form: QMS100206 Rev B	