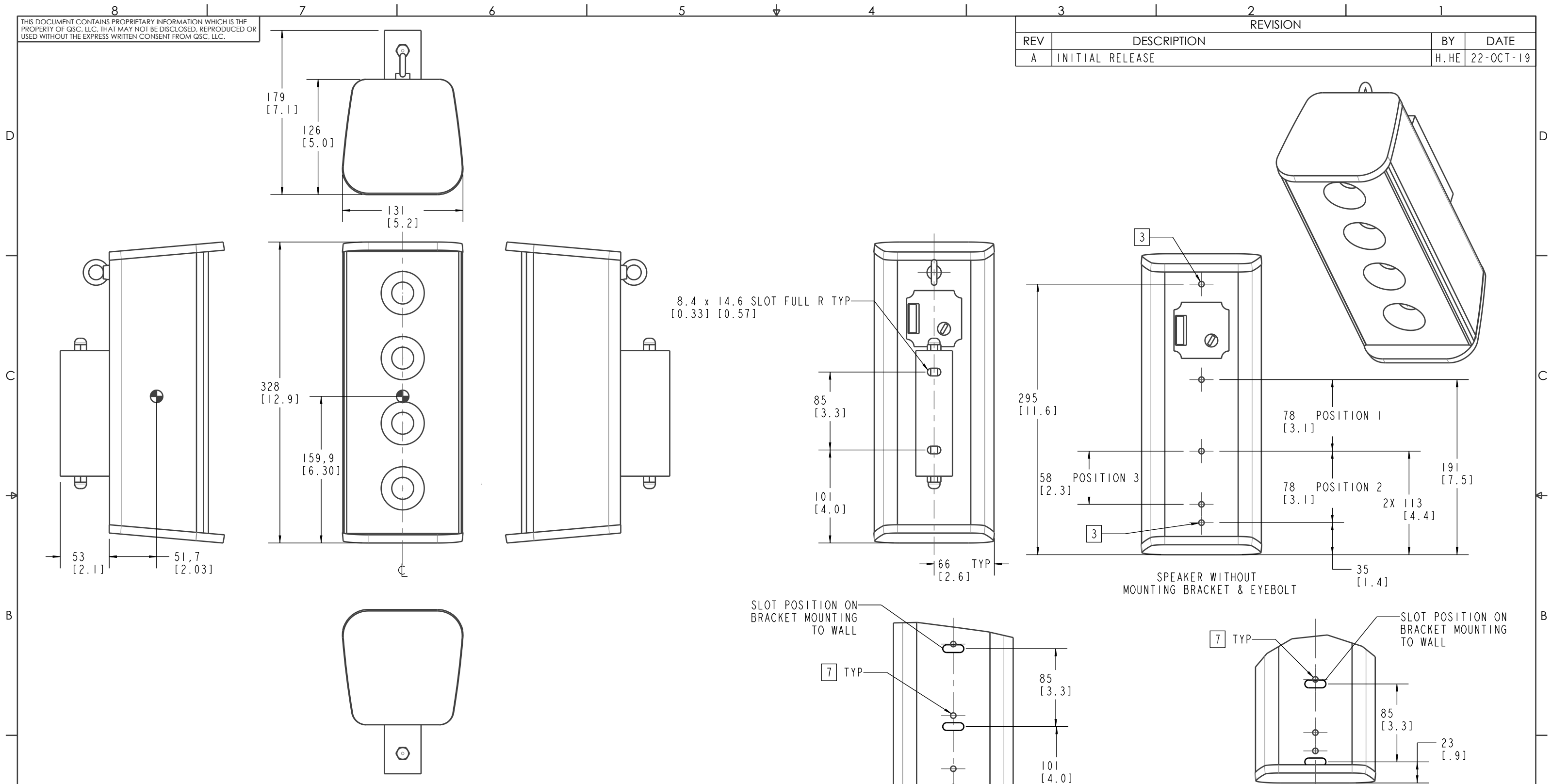


THIS DOCUMENT CONTAINS PROPRIETARY INFORMATION WHICH IS THE PROPERTY OF QSC, LLC. THAT MAY NOT BE DISCLOSED, REPRODUCED OR USED WITHOUT THE EXPRESS WRITTEN CONSENT FROM QSC, LLC.

REVISION		BY	DATE
REV	DESCRIPTION		
A	INITIAL RELEASE	H. HE	22-OCT-19



- 8. MOUNTING BRACKET SHOWN IN ZERO TILT, ZERO PAN ORIENTATION.
- [7]. MOUNTING BRACKET MAY BE PLACED IN 3 DIFFERENT POSITIONS. ASSEMBLE WITH M6x1 THREAD SCREWS PROVIDED.
- 6. GRILLE NOT SHOWN FOR CLARITY.
- 5. DIMENSIONS ARE IN MILLIMETERS [INCH].
- 4. SYMBOL \oplus INDICATES CENTER OF GRAVITY.
- [3]. SAFETY HARNESS EYEBOLT MAY BE ASSEMBLED IN 2 DIFFERENT LOCATIONS. EYEBOLT IS SIZE M6x1 THREAD.
- 2. PARTS ARE SYMMETRICAL ABOUT CENTER LINES UNLESS OTHERWISE NOTED.
- 1. NET WEIGHT APPROX. 3.2 KG [7.0 LBS].

NOTE: UNLESS OTHERWISE SPECIFIED

UNLESS OTHERWISE SPECIFIED DIMENSIONS ARE IN MM [IN] TOLERANCES ARE: DECIMALS ANGLES ± 0.1 $\pm 1^\circ$	CAD GENERATED DRAWING DO NOT MANUALLY UPDATE	QSC QSC, LLC 1675 MACARTHUR BOULEVARD COSTA MESA, CA 92626 USA
MATERIAL N/A	APPROVALS	FINISHED GOOD, LOUDSPEAKER, AD-S402T FULL RANGE 2.75"
FINISH N/A	DRAWN BY H. HE	
DO NOT SCALE DRAWING	MECH ENGINEER B. HAWKINS	
PROJECTION SYMBOL	TECH DIRECTOR J. SANDERS	
	MFG ENGINEER M. LUO	SIZE CAGE CODE DWG. NO. B 00PW4 FG-901322-2D
		SCALE: 1:4 CAD FILE: FG-901322-2D.A.7 SHEET: 1 OF 1