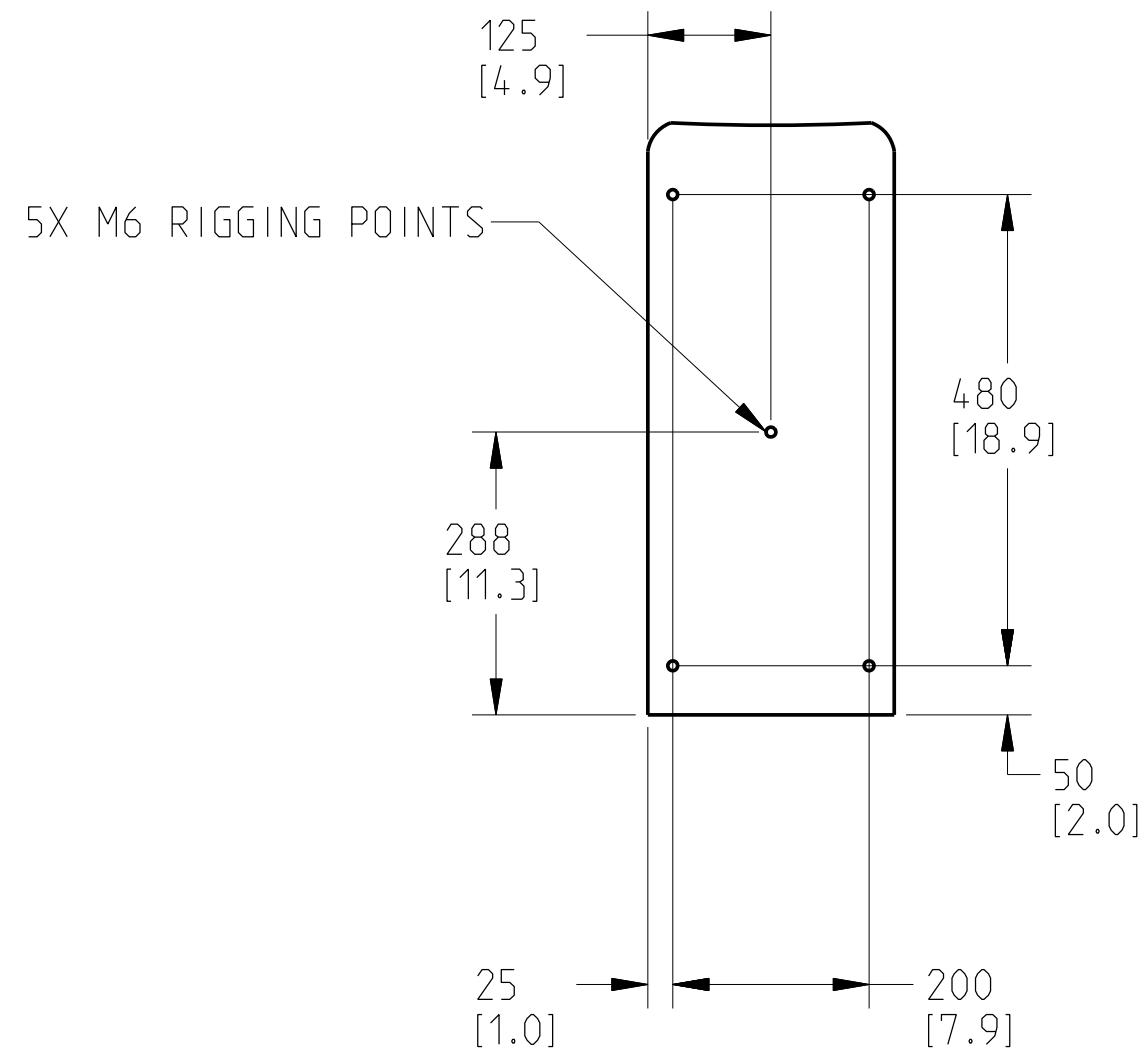
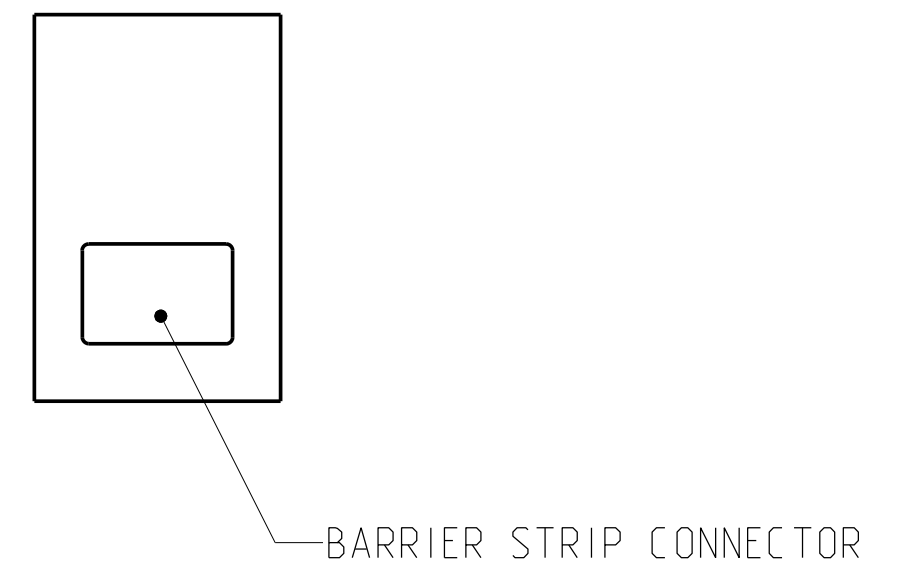
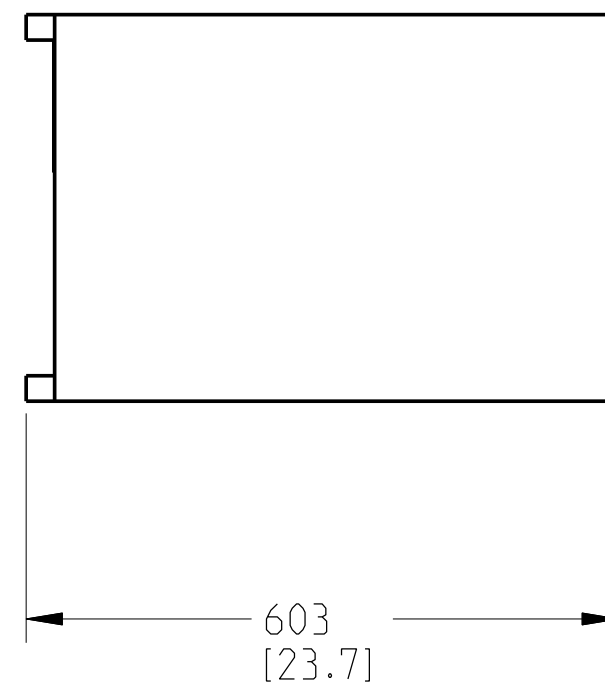
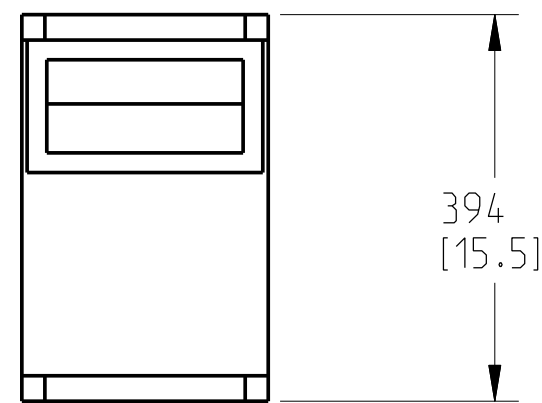
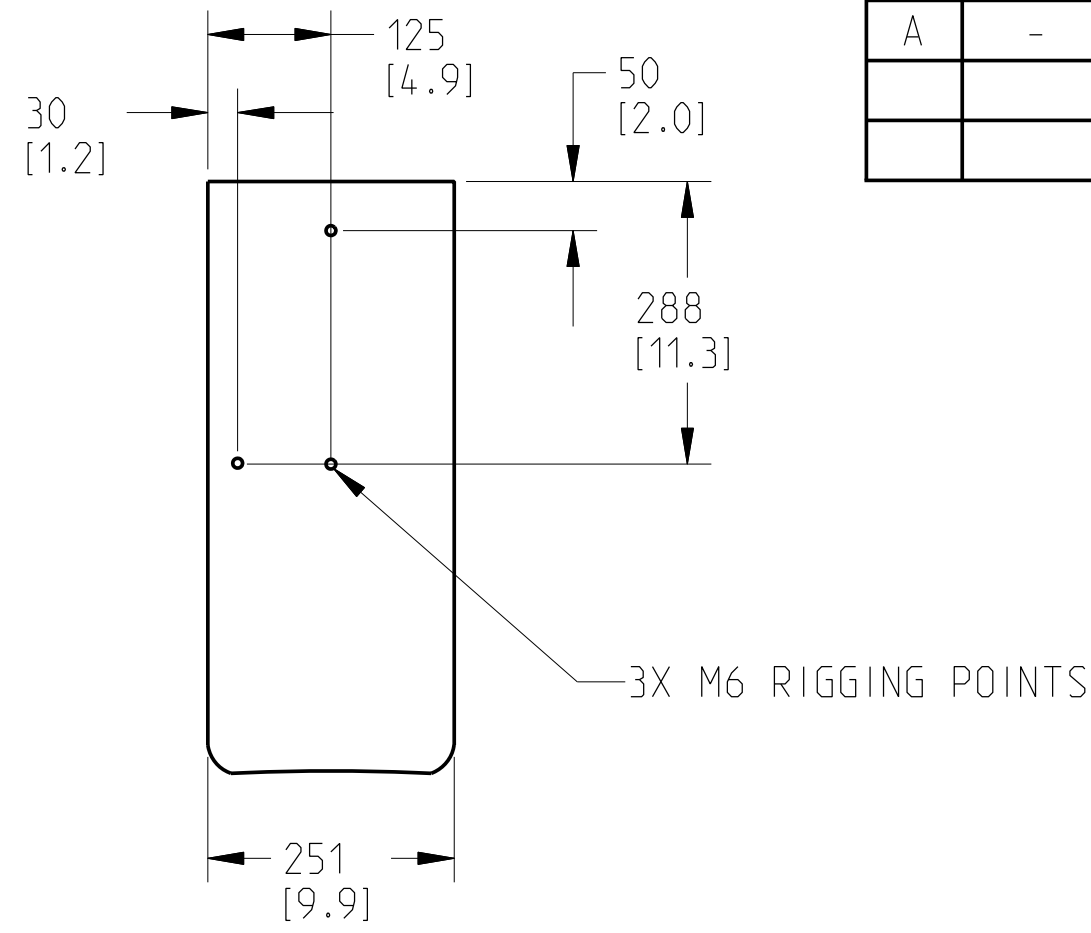
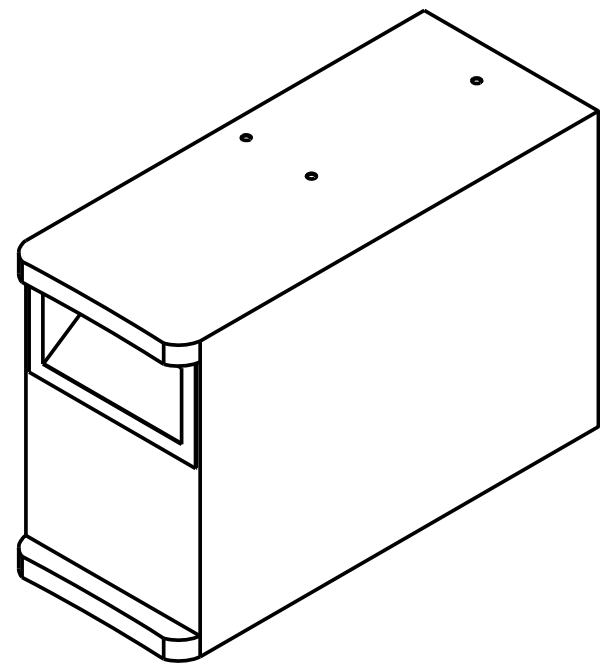


THIS DOCUMENT CONTAINS PROPRIETARY INFORMATION WHICH IS THE PROPERTY OF QSC AUDIO PRODUCTS. THAT MAY NOT BE DISCLOSED, REPRODUCED OR USED WITHOUT EXPRESS WRITTEN CONSENT FROM QSC AUDIO PRODUCTS.

REVISIONS					
REV	ECO	DESCRIPTION	BY	EFF DATE	ISSUED
A	-	RELEASE	CD	-	-



2. TOLERANCES (MM): X.XX ± 1.00, ANGLES: ± 1°
 1. NET WEIGHT APPROX. 19.5 KG (43 LBS).
 NOTE: UNLESS OTHERWISE SPECIFIED

UNLESS OTHERWISE SPECIFIED DIMENSIONS IN MILLIMETERS (IN) TOLERANCES ARE: DECIMALS DECIMALS ANGLES .X±.5(.02) .XX±.25(.010) ± 1/2 DEBURR EDGES .25 (.010) R MAX	APPROVALS	DATE (DD-MMM-YY)	 QSC AUDIO PRODUCTS, LLC 1675 MACARTHUR BOULEVARD COSTA MESA, CA 92626
	DRAWN C. DAVIES	04-MAR-11	
	CHECKED P. SANCHEZ	07-MAR-11	
	MFG ENG	-	
MATERIAL	-	-	SPEAKER, FINISHED, AD-S28TW SIZE C CAGE CODE 00PW4 DRAWING NO. FG-000280-2D REV A MODEL INFO: FG-000280-3D.A.1 SCALE: 0.130 DO NOT SCALE DRAWING SHEET 1 OF 1
FINISH	-	-	
DRAWING INFO: FG-000280-2D.A.1			
MODEL INFO: FG-000280-3D.A.1			