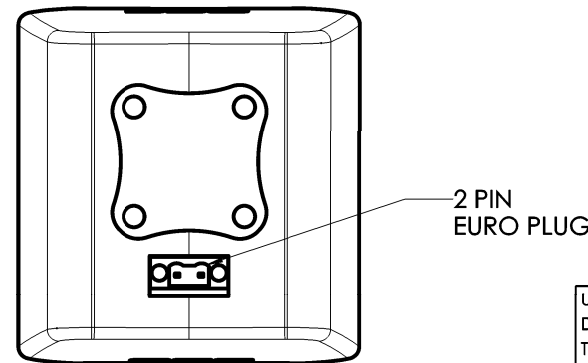
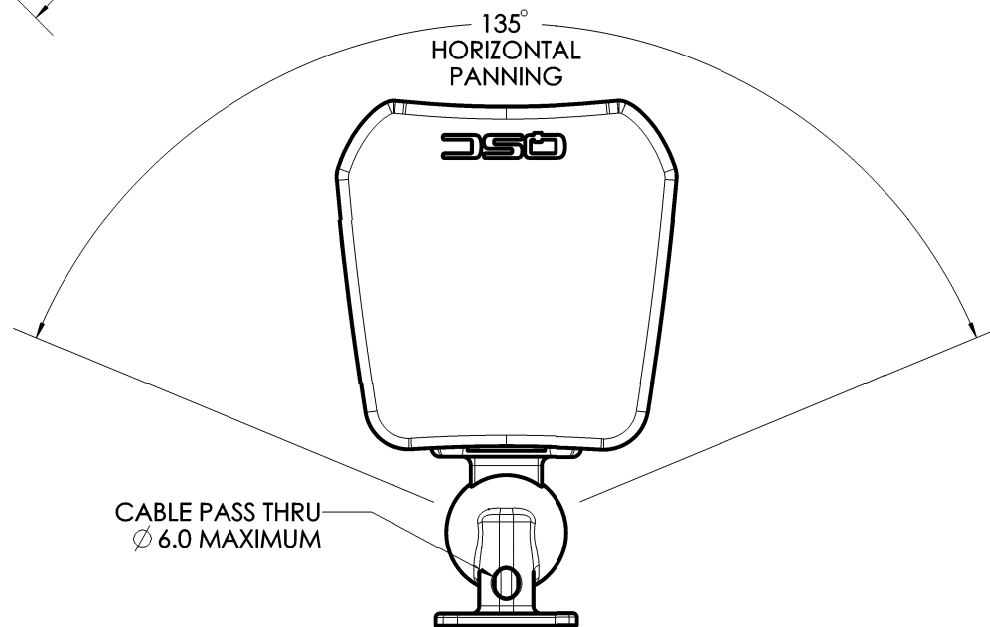
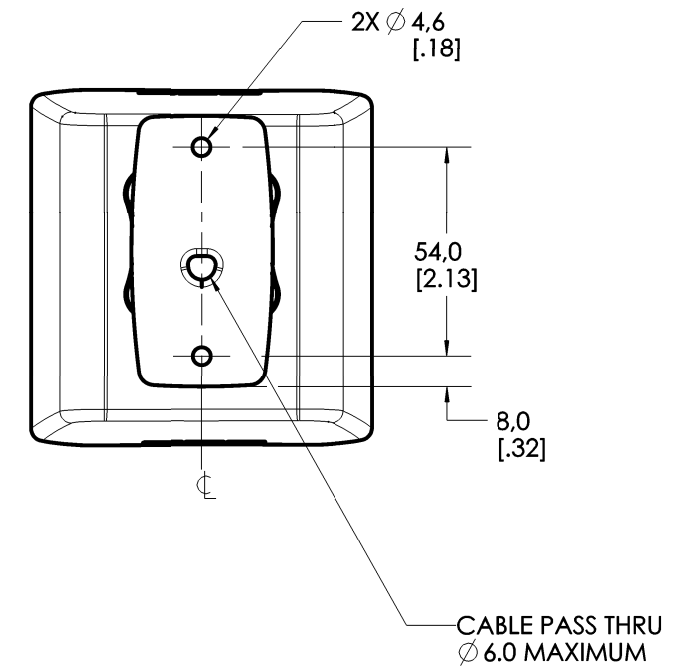
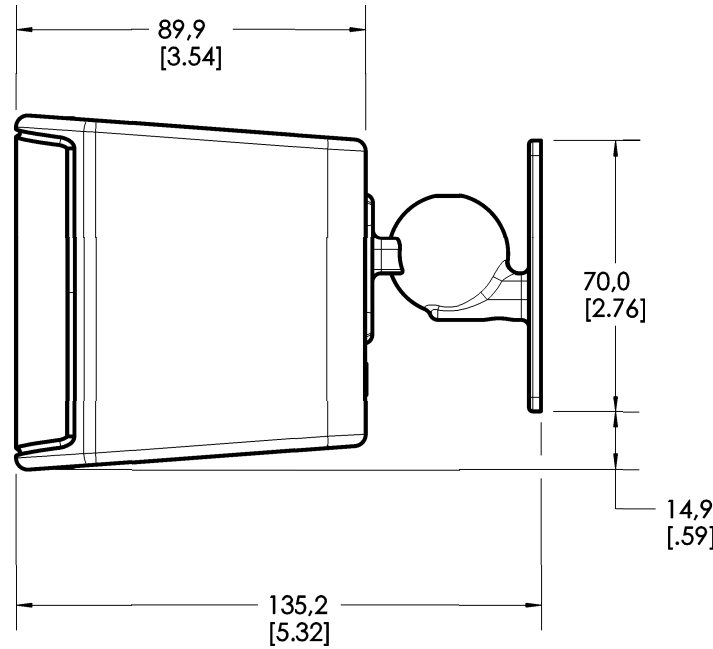
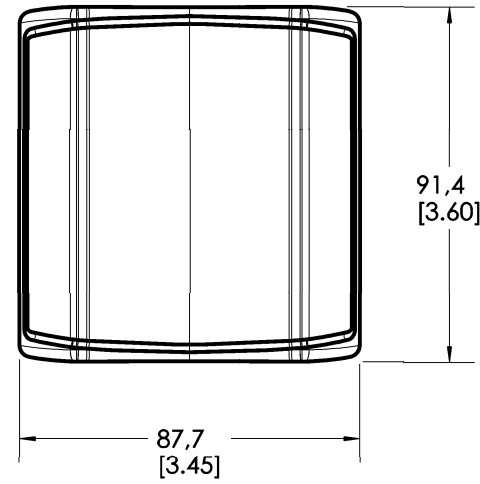
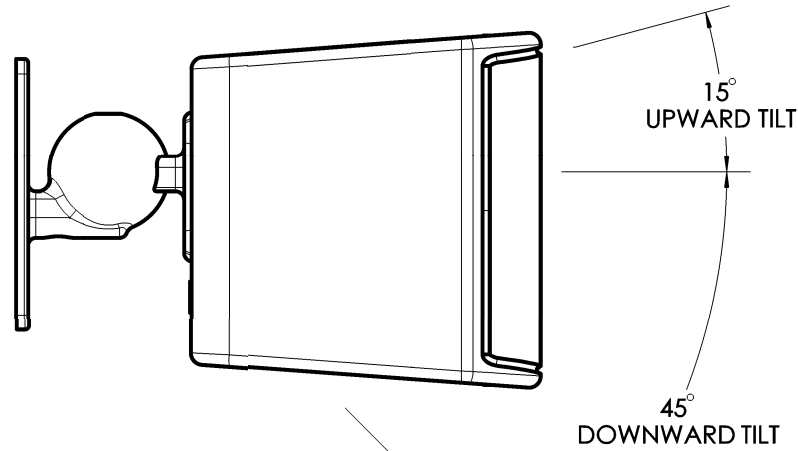
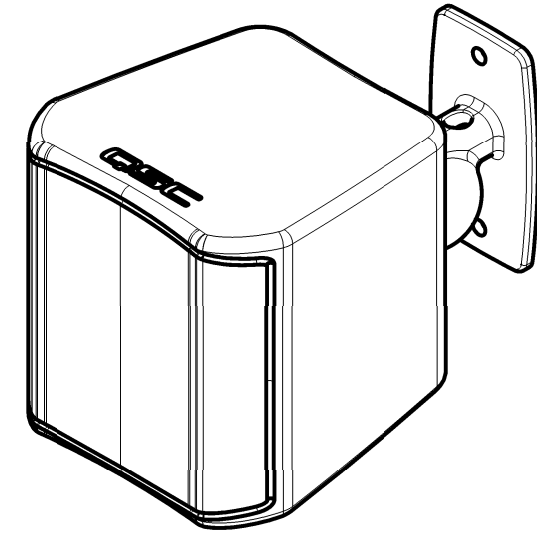
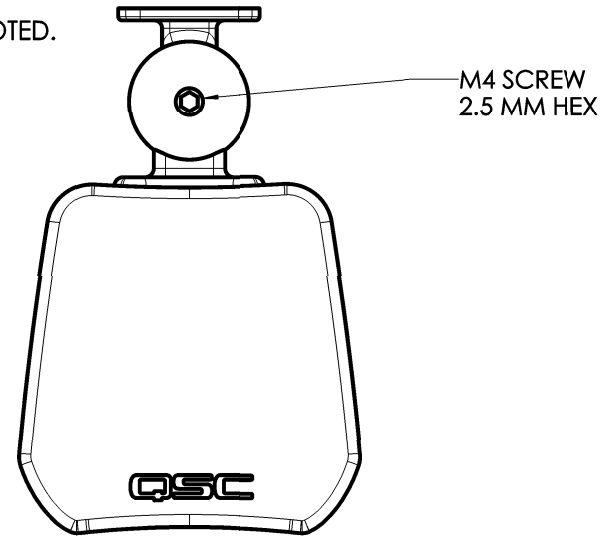


REVISION		BY	DATE
REV	DESCRIPTION	SS	9-OCT-18
A	INITIAL RELEASE		

NOTE: UNLESS OTHERWISE SPECIFIED
 1. NET WEIGHT APPROX. 0.95 LBS (0.43 KG)
 2. TOLERANCES (MM[IN]): X +/-3 [.12], ANGLES +/- 1 DEGREE.
 4. PARTS ARE SYMMETRICAL ABOVE CENTER LINES UNLESS OTHERWISE NOTED.



REAR VIEW
MOUNTING BRACKET REMOVED

UNLESS OTHERWISE SPECIFIED
DIMENSIONS ARE IN MM [IN]
TOLERANCES ARE:

DECIMALS	ANGLES
.X ± 3 [.12]	±1°

MATERIAL N/A
FINISH N/A
DO NOT SCALE DRAWING
PROJECTION SYMBOL

CAD GENERATED DRAWING
DO NOT MANUALLY UPDATE

APPROVALS	
DRAWN BY	S. STASIAK
MECH ENGINEER	B. HAWKINS
TECH DIRECTOR	J. HALLEY
MFG ENGINEER	M. JEN

QSC QSC, LLC
1675 MACARTHUR BOULEVARD
COSTA MESA, CA 92626 USA

**FINISHED GOOD,
LOUDSPEAKER,
AD-S.SAT, 2.5" SURFACE**

SIZE	CAGE CODE	DWG. NO.	REV
B	00PW4	FG-901253-2D	A

SCALE: 1:2 CAD FILE: FG-901253-2D.A.6 SHEET: 1 OF 1