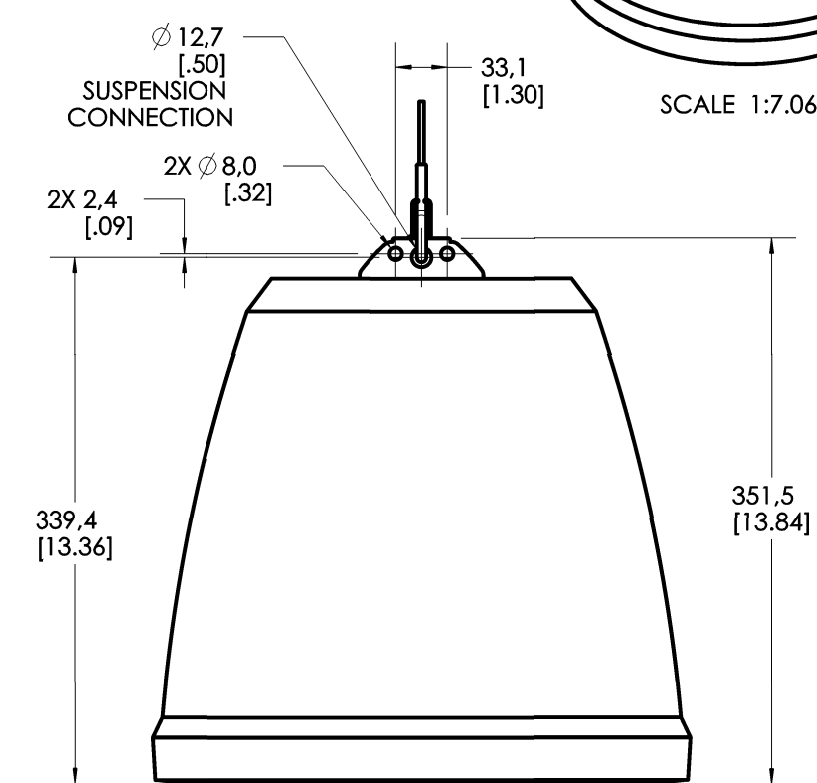
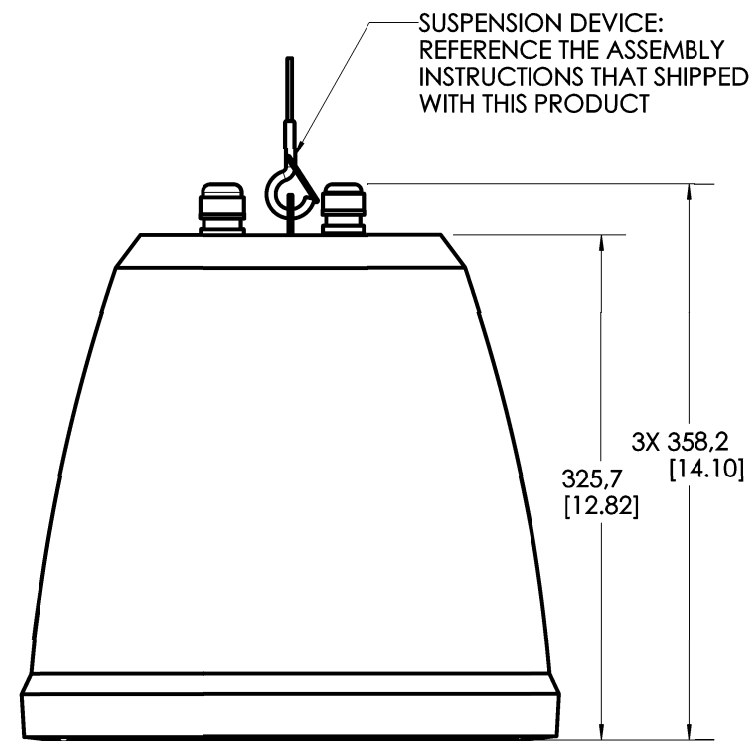
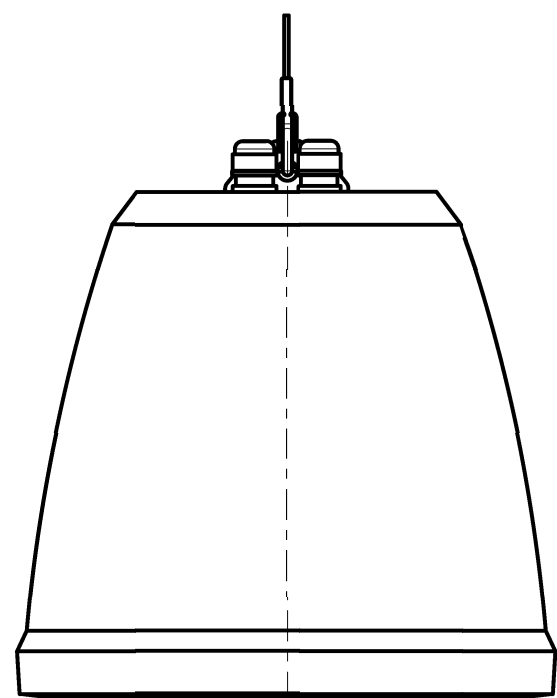
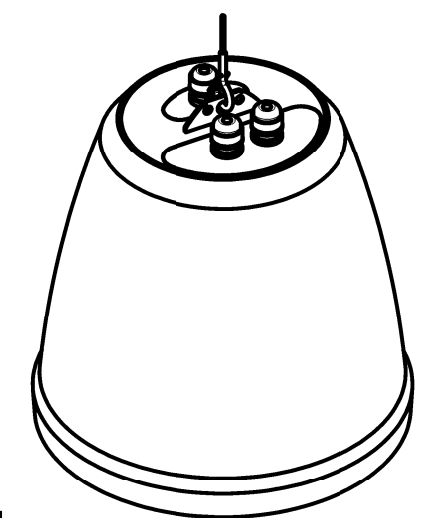
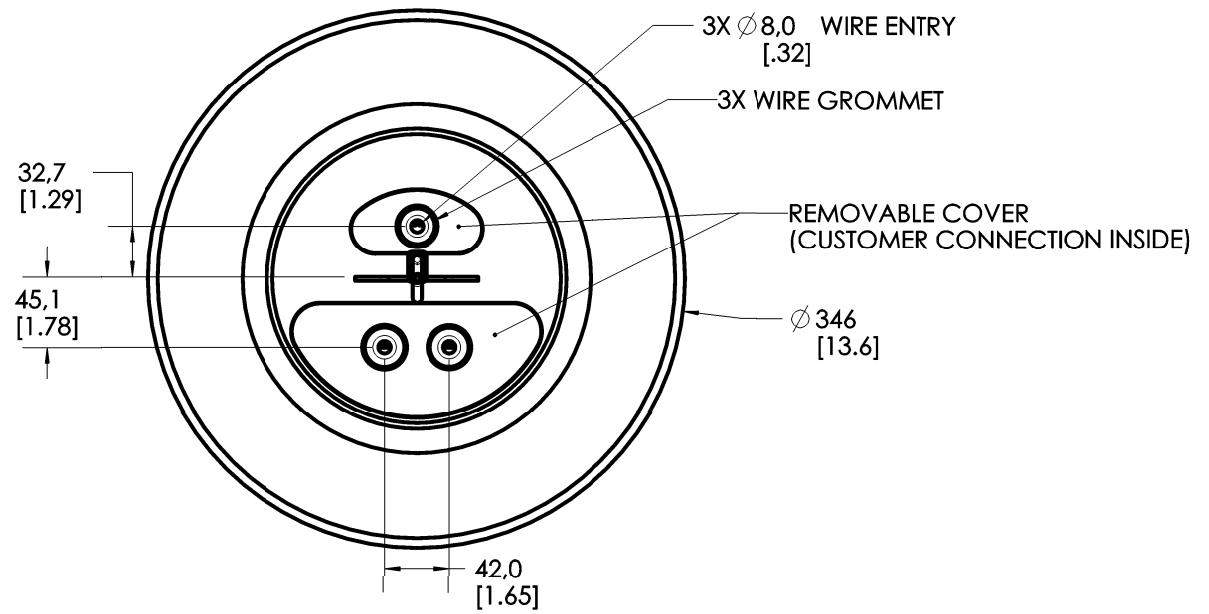


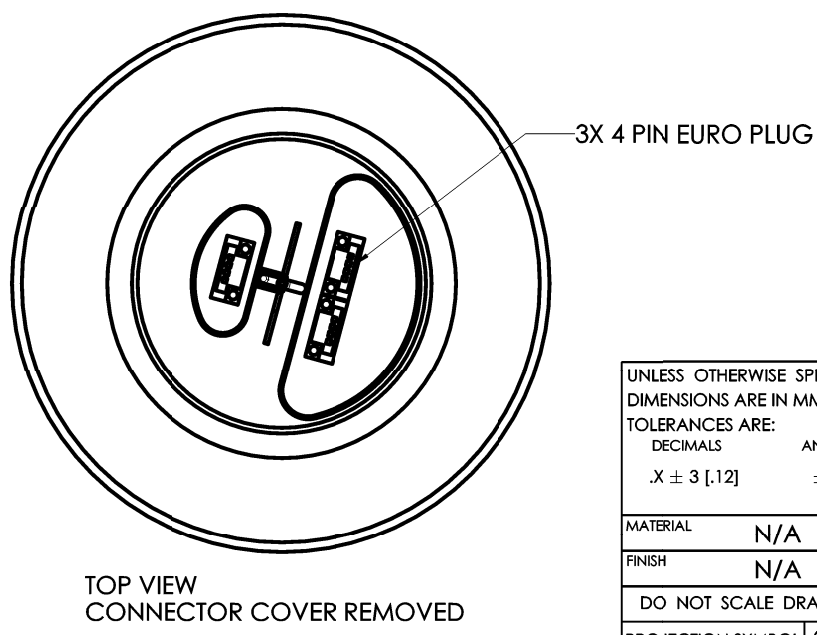
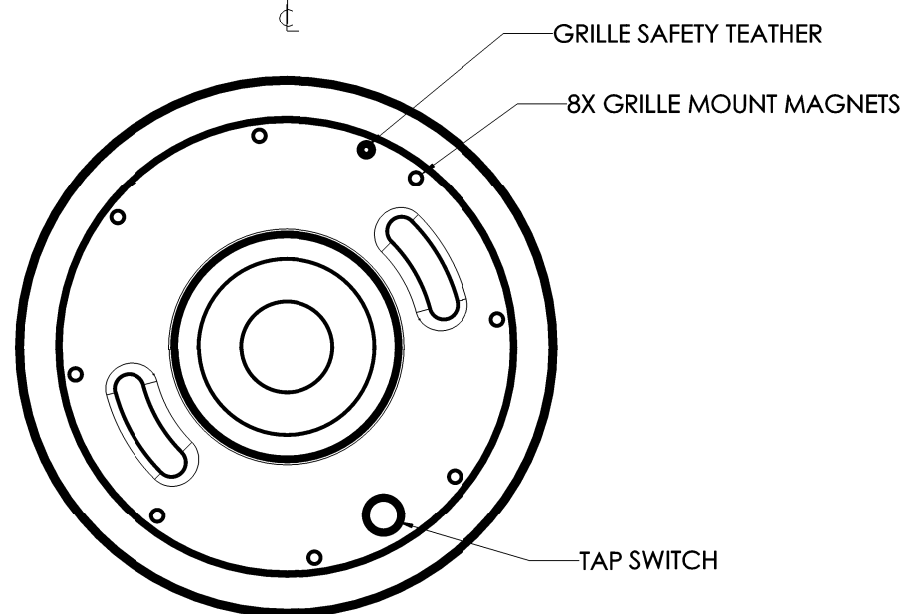
THIS DOCUMENT CONTAINS PROPRIETARY INFORMATION WHICH IS THE PROPERTY OF QSC, LLC. THAT MAY NOT BE DISCLOSED, REPRODUCED OR USED WITHOUT THE EXPRESS WRITTEN CONSENT FROM QSC, LLC.

- NOTE: UNLESS OTHERWISE SPECIFIED
 1. NET WEIGHT APPROX. 17.53 LBS (7.95 KG)
 2. TOLERANCES (MM[IN]): X +/-3.
 ANGLES +/- 1 DEGREE.
 3. PARTS ARE SYMMETRICAL ABOVE CENTER LINES UNLESS OTHERWISE NOTED.
 4. GRILLE NOT SHOWN FOR CLARITY.

REVISION		BY	DATE
REV	DESCRIPTION	SS	10-OCT-18
A	INITIAL RELEASE		



SIDE VIEW WIRE GROMMETS NOT SHOWN



UNLESS OTHERWISE SPECIFIED DIMENSIONS ARE IN MM [IN] TOLERANCES ARE: DECIMALS ANGLES .X \pm 3 [.12] \pm 1 $^\circ$	CAD GENERATED DRAWING DO NOT MANUALLY UPDATE	QSC, LLC 1675 MACARTHUR BOULEVARD COSTA MESA, CA 92626 USA		
	APPROVALS			
MATERIAL N/A	DRAWN BY S. STASIAK	FINISHED GOOD, LOUDSPEAKER, AD-P.SUB, 6.5" PENDANT		
FINISH N/A	MECH ENGINEER B. HAWKINS			
DO NOT SCALE DRAWING	TECH DIRECTOR J. HALLEY			
PROJECTION SYMBOL	MFG ENGINEER M. JEN			
	SIZE B	CAGE CODE 00PW4	DWG. NO. FG-901252-2D	REV A
	SCALE: 1:5	CAD FILE: FG-901252-2D.A.5	SHEET: 1 OF 1	