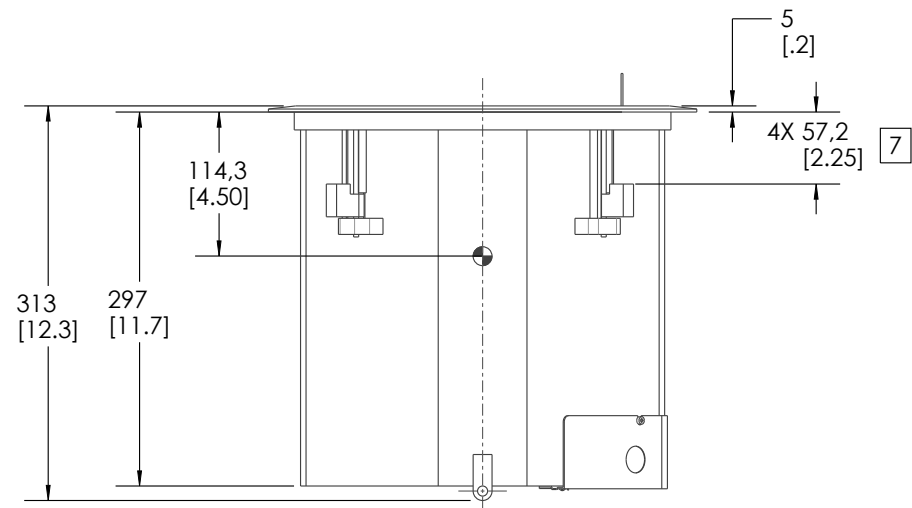
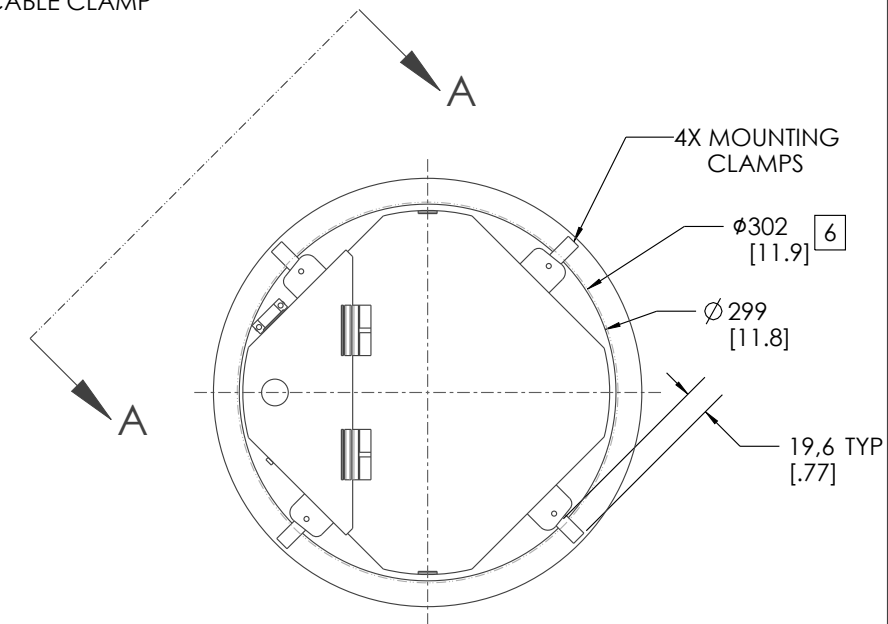
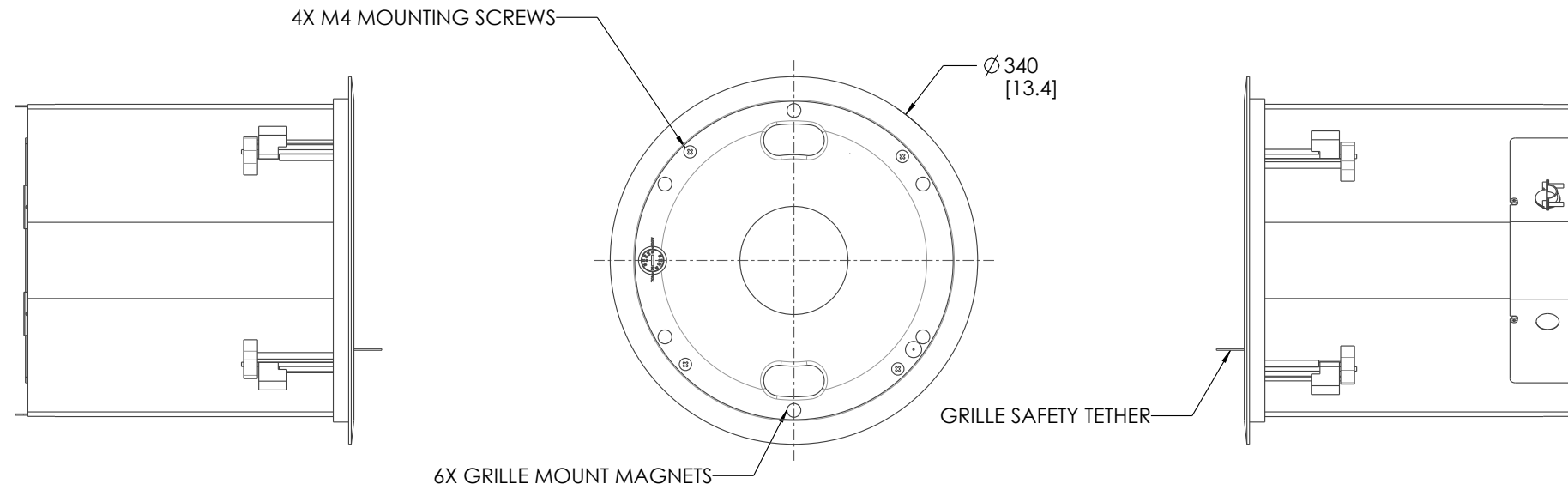
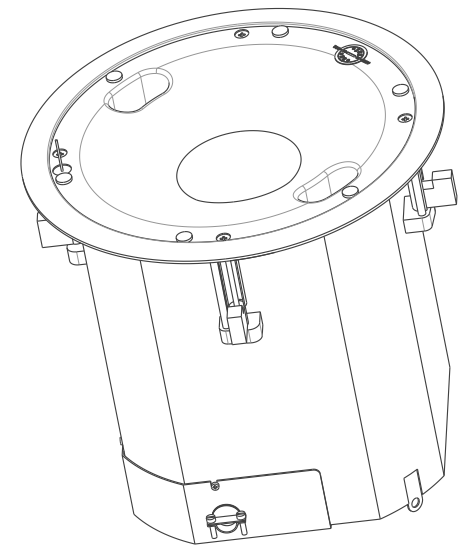
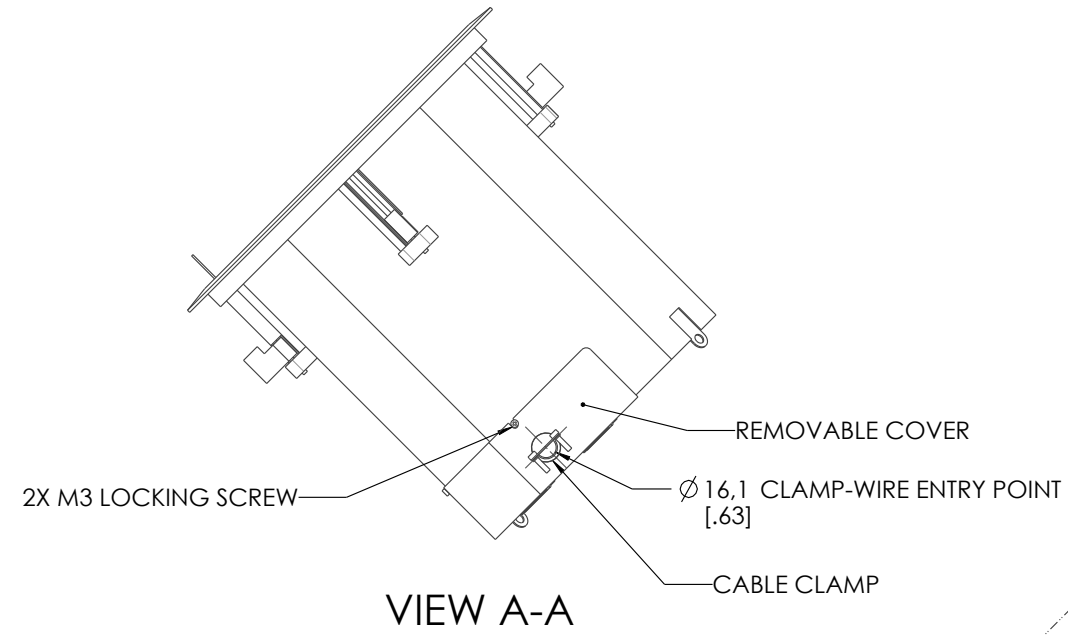
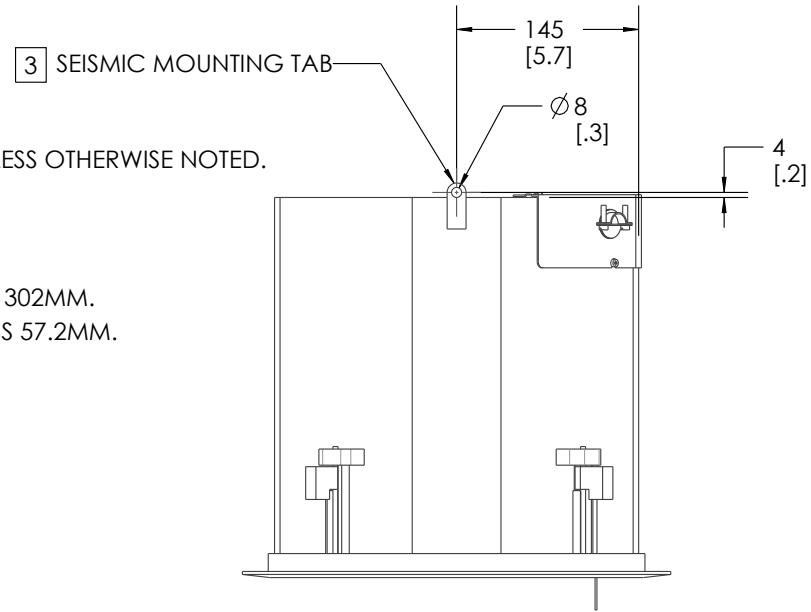


THIS DOCUMENT CONTAINS CONFIDENTIAL OR PROPRIETARY INFORMATION WHICH IS THE PROPERTY OF QSC, LLC, THAT MAY NOT BE DISCLOSED, REPRODUCED OR USED WITHOUT EXPRESS WRITTEN CONSENT FROM QSC, LLC. NO PORTION OF THIS DOCUMENT MAY BE REPRODUCED, REDISTRIBUTED, OR OTHERWISE DISCLOSED TO ANY THIRD PARTY WITHOUT QSC'S WRITTEN PERMISSION.

REVISION		BY	DATE
REV	DESCRIPTION		
A	RELEASE FOR SALES AND MARKETING	H.HE	4-MAR-22

NOTE: UNLESS OTHERWISE SPECIFIED.

- NET WEIGHT APPROX 8.58 KG [18.9 LBS].
- PARTS ARE SYMMETRICAL ABOUT CENTER LINES UNLESS OTHERWISE NOTED.
- SEISMIC MOUNTING TAB.
- SYMBOL \oplus INDICATES CENTER OF GRAVITY.
- GRILLE NOT SHOWN FOR CLARITY.
- RECOMMENDED CEILING CUTOUT HOLE DIAMETER 302MM.
- MOUNTING CLAMP MAXIMUM MATERIAL THICKNESS 57.2MM.



UNLESS OTHERWISE SPECIFIED DIMENSIONS ARE IN MM [IN] TOLERANCES ARE: DECIMALS ANGLES .X±3.0 [.12] ±1°	CAD GENERATED DRAWING DO NOT MANUALLY UPDATE	QSC, LLC 1675 MACARTHUR BOULEVARD COSTA MESA, CA 92626 USA
	APPROVALS	
MATERIAL N/A	DRAWN BY H. HE	LOUDSPEAKER, AD-C6T-HC, 6.5" CEILING, W/XFMR
FINISH N/A	MECH ENGINEER T. GOSSARD	
DO NOT SCALE DRAWING	TECH DIRECTOR J. SANDERS	SIZE CAGE CODE DWG. NO. REV B 00PW4 FG-901538-2D A
PROJECTION SYMBOL \oplus	MFG ENGINEER M. LUO	SCALE: 1:6 CAD FILE: FG-901538-2D.A.1 SHEET: 1 OF 1