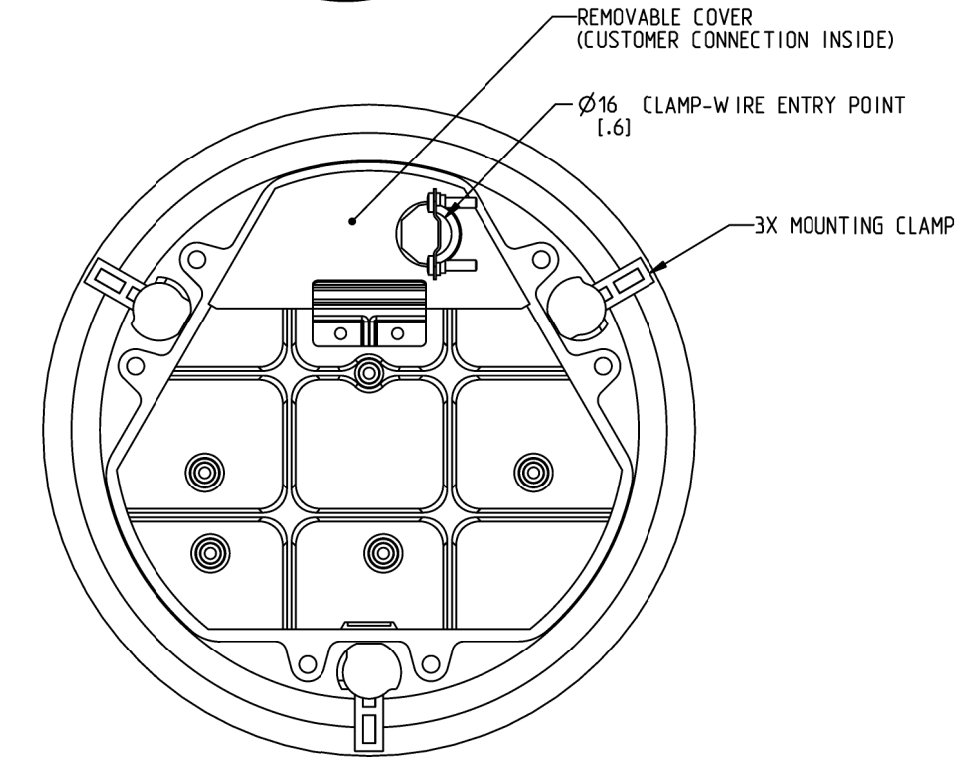
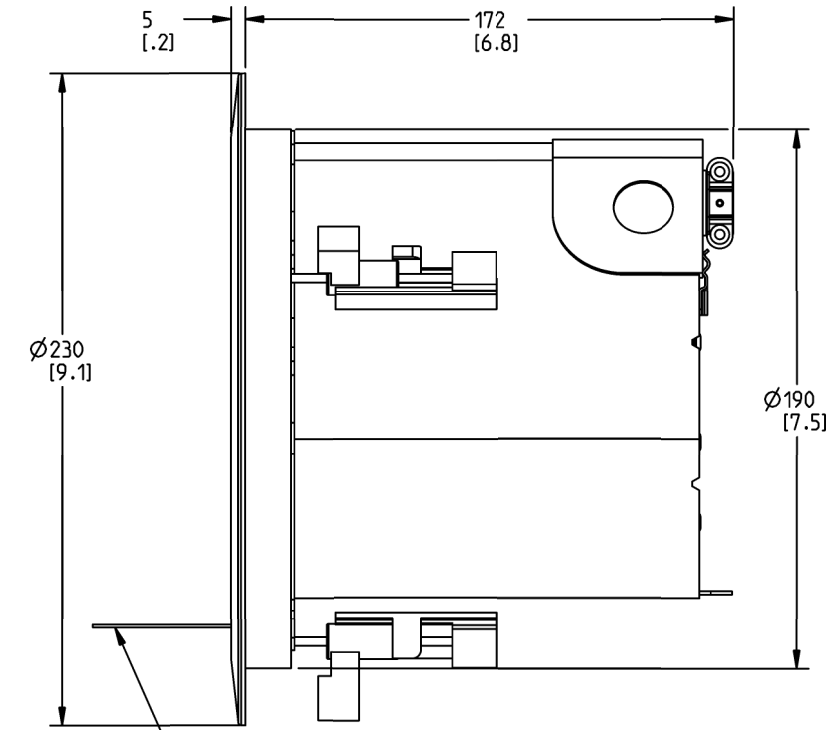
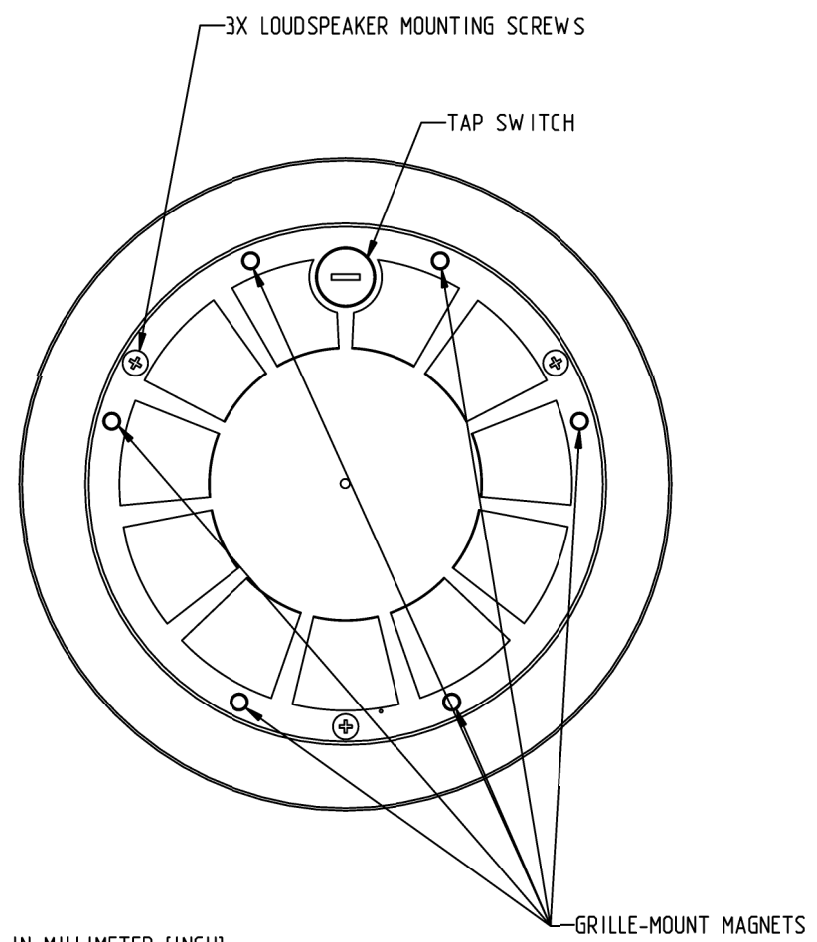
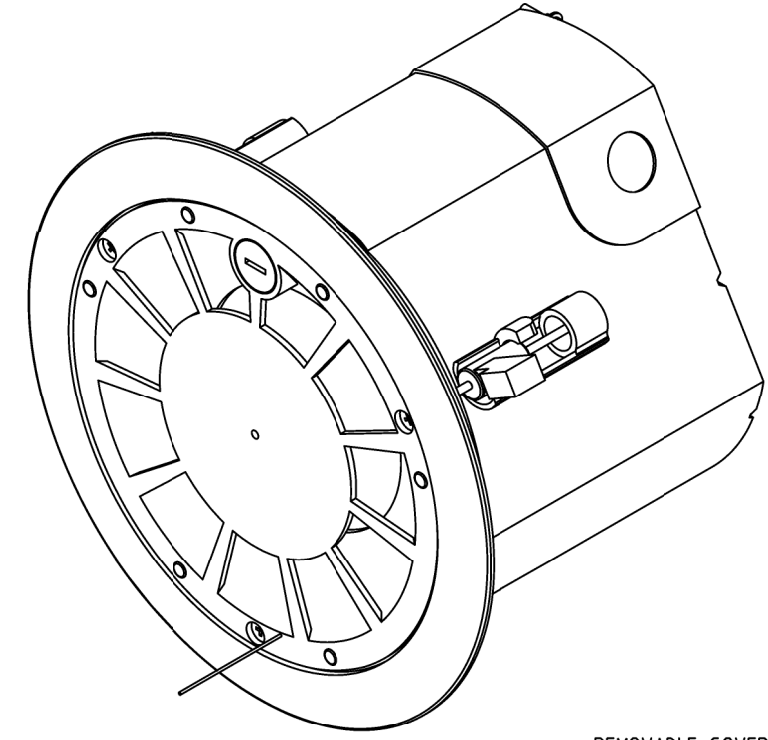
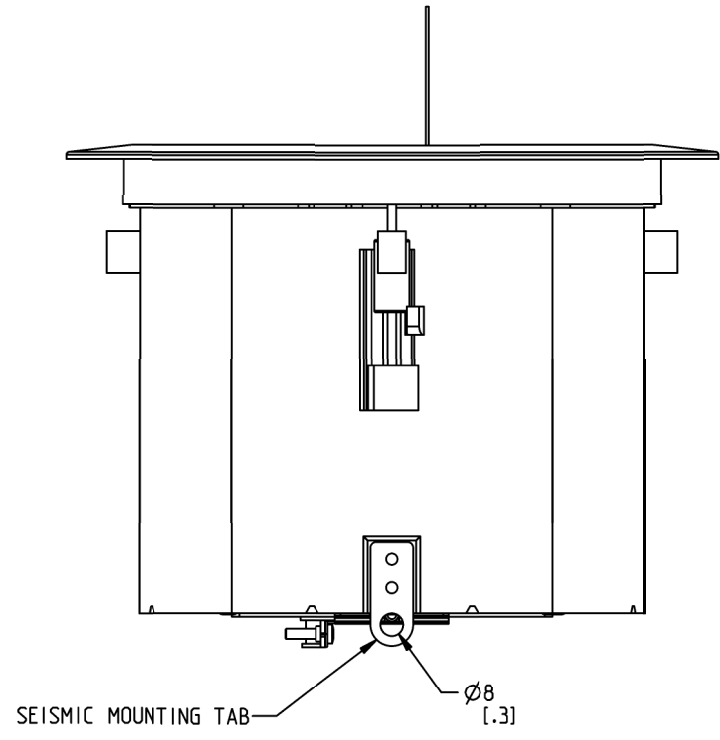


THIS DOCUMENT CONTAINS PROPRIETARY INFORMATION WHICH IS THE PROPERTY OF QSC, LLC. THAT MAY NOT BE DISCLOSED, REPRODUCED OR USED WITHOUT EXPRESS WRITTEN CONSENT FROM QSC, LLC.

REVISIONS			
REV	DESCRIPTION	BY	DATE
A	RELEASE FOR SALES AND MARKETING	ES	22-MAR-16



4. DIMENSIONS ARE IN MILLIMETER [INCH].
 3. GRILLE NOT SHOWN FOR CLARITY.
 2. TOLERANCES (MM): X±1, ANGLES: ±1°
 1. NET WEIGHT APPROXIMATELY 3.0 KG [6.6 LBS].
- NOTES: UNLESS OTHERWISE SPECIFIED.

UNLESS OTHERWISE SPECIFIED DIMENSIONS IN MILLIMETERS (IN) TOLERANCES ARE: DECIMALS DECIMALS ANGLES .X±.5(.02) .XX±.25(.010) ± 1/2 DEBURR EDGES .25 [.010] R MAX MATERIAL FINISH	DESIGNER ENG. SERVICES ENGINEER	QSC QSC, LLC 1675 MACARTHUR BOULEVARD COSTA MESA, CA 92626	SPEAKER, AD-C4T, FINISHED		
	TECHNICAL DIRECTOR				
	MANUFACTURING ENGINEER	SIZE D	CAGE CODE OOPW 4	DRAWING NO. FG-001404-2D	REV A
	DRAWING INFO: FG-001404-2D.A.1 MODEL INFO: FG-001404-3D.A.0	SCALE: 0.750	DO NOT SCALE DRAWING	SHEET 1 OF 1	