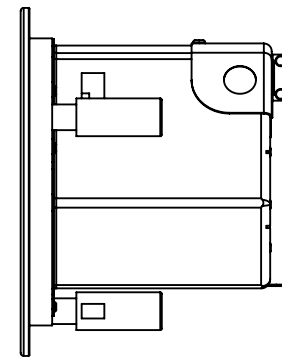
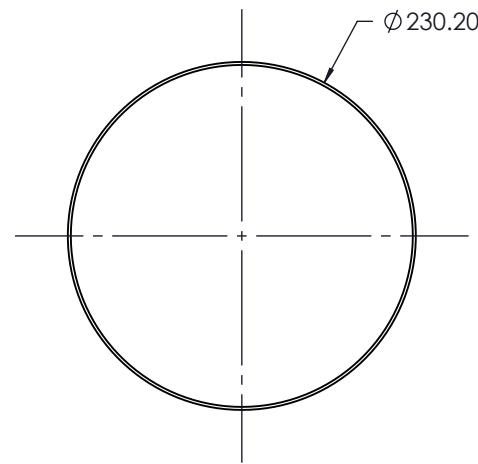
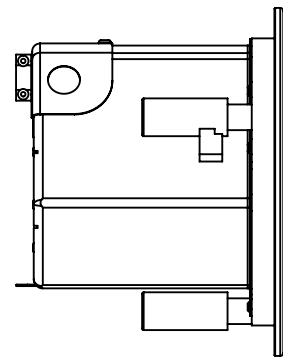
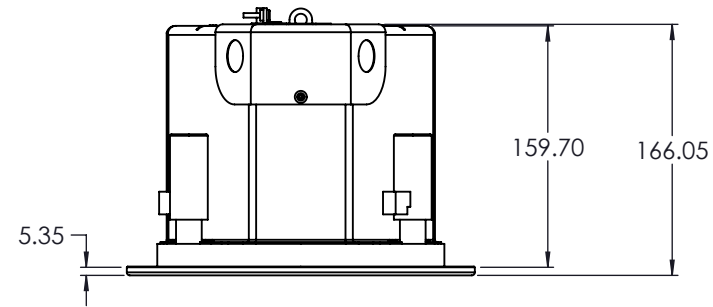
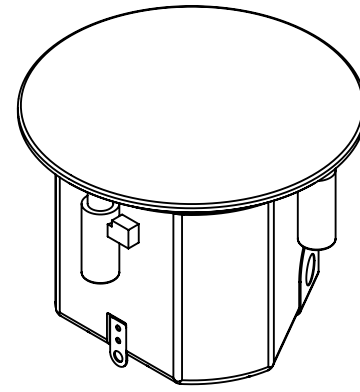


NOTES: UNLESS OTHERWISE SPECIFIED

1. NET WEIGHT APPROX. 4.54 KG [10.00 LBS].
2. PARTS ARE SYMMETRICAL ABOUT CENTER LINES UNLESS OTHERWISE NOTED.
3. SEISMIC MOUNTING TAB.
4. GRILLE NOT SHOWN FOR CLARITY.
5. RECOMMENDED CEILING CUTOUT HOLE DIAMETER 302MM.
6. MOUNTING CLAMP MAXIMUM MATERIAL THICKNESS 57.2MM.



Ø 16.1 CLAMP-WIRE ENTRY POINT

5 Ø 192.00

Ø 189.90

M3 LOCKING SCREW

REMOVABLE COVER

CABLE CLAMP

SECTION A-A

6X M4 MOUNTING SCREWS

