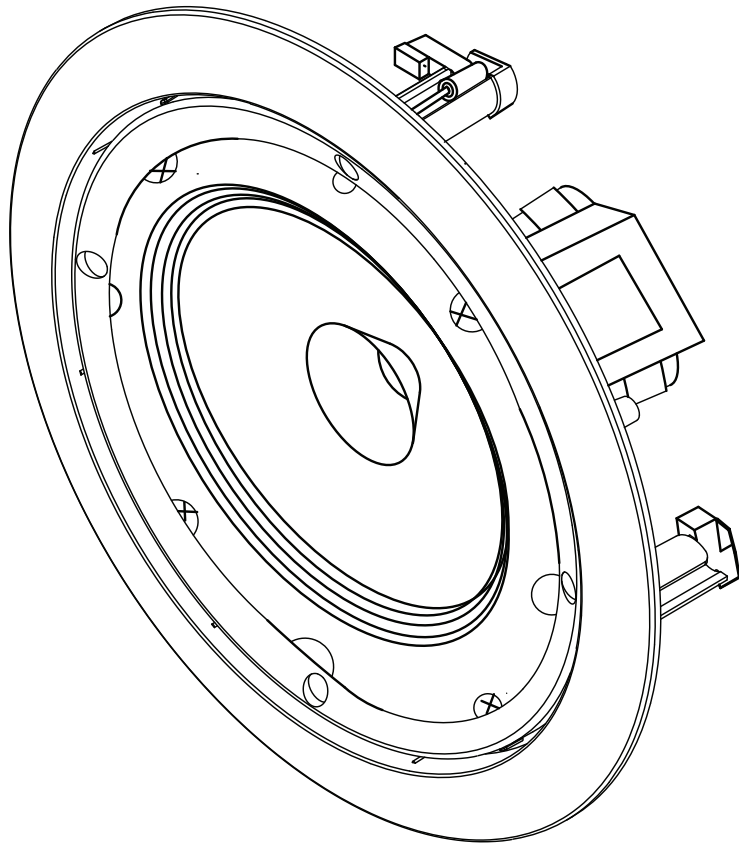
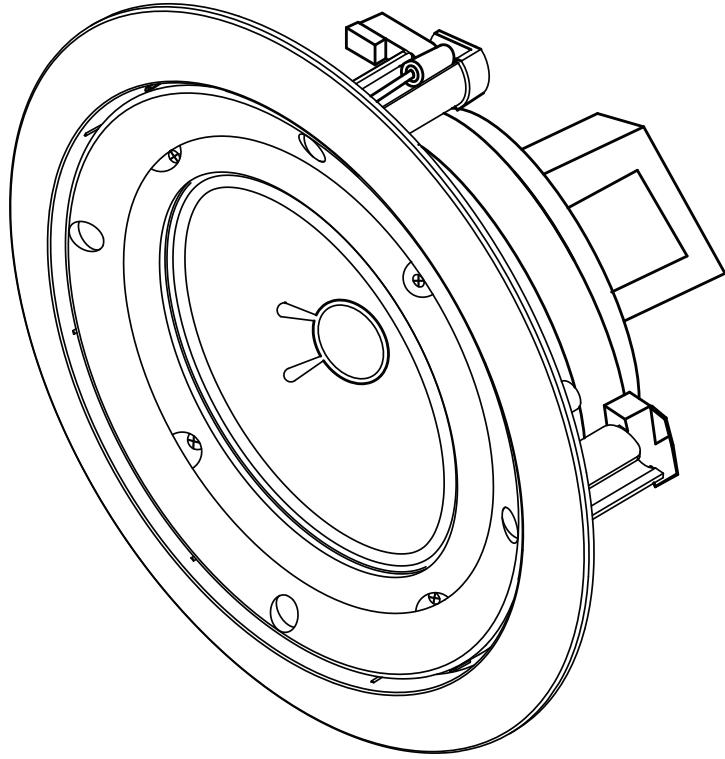


AcousticCoverage (AC)

QSC

User Manual

Model: AC-C4T-nb & AC-C8T-nb



TD-000519-00-A



EXPLANATION OF SYMBOLS

The term **“WARNING!”** indicates instructions regarding personal safety. If the instructions are not followed the result may be bodily injury or death.

The term **“CAUTION!”** indicates instructions regarding possible damage to physical equipment. If these instructions are not followed, it may result in damage to the equipment that may not be covered under the warranty.

The term **“IMPORTANT!”** indicates instructions or information that are vital to the successful completion of the procedure.

The term **“NOTE”** is used to indicate additional useful information.



The intent of the lightning flash with arrowhead symbol in a triangle is to alert the user to the presence of un-insulated “dangerous” voltage within the product’s enclosure that may be of sufficient magnitude to constitute a risk of electric shock to humans.



The intent of the exclamation point within a triangle is to alert the user to the presence of important safety, and operating and maintenance instructions in this manual.



IMPORTANT SAFETY INSTRUCTIONS



- Read these instructions
- Keep these instructions.
- Heed all warnings.
- Follow all instructions.
- Do not use this apparatus near water.
- Clean only with a dry cloth.
- Do not install near any heat sources such as radiators, heat registers, stoves, or other apparatus (including amplifiers) that produce heat.
- Only use attachments/accessories specified by the manufacturer.
- Refer all servicing to qualified service personnel. Servicing is required when the apparatus has been damaged in any way, such as power-supply cord or plug is damaged, liquid has been spilled or objects have fallen into the apparatus, the apparatus has been exposed to rain or moisture, does not operate normally, or has been dropped.
- Do not use this apparatus in or near water or liquids.
- Do not submerge the apparatus in water or liquids.
- Do not use any aerosol spray, cleaner, disinfectant or fumigant on, near or into the apparatus.
- Do not block any ventilation opening. Install in accordance with the manufacturer’s instructions.
- Keep ventilation opening free of dust or other matter.
- Adhere to all applicable, local codes.
- Consult a licensed, professional engineer when any doubt or questions arise regarding a physical equipment installation.

Maintenance and Repair

Advance technology, e.g., the use of modern materials and powerful electronics, requires specially adapted maintenance and repair methods. To avoid a danger of subsequent damage to the apparatus, injuries to persons and/or the creation of additional safety hazards, all maintenance or repair work on the apparatus should be performed only by a QSC authorized service station or an authorized QSC International Distributor. QSC is not responsible for any injury, harm or related damages arising from any failure of the customer, owner or user of the apparatus to facilitate those repairs.

Warranty

For a copy of the QSC Limited Warranty, visit the QSC website at www.qsc.com

Para una copia de la Garantía Limitada de QSC, visite el sitio web de QSC, en www.qsc.com

Pour obtenir une copie de la garantie limitée de QSC, visitez le site de QSC à www.qsc.com

Besuchen Sie die Webseite von QSC (www.qsc.com) um eine Kopie der beschränkte Garantie von QSC zu erhalten.

如果您想要QSC有限保修的複印本，請造訪QSC音頻產品的網站www.qsc.com

Prepare Ceiling

1. Use the template provided to mark and cut a hole in the ceiling where the loudspeaker is to be installed.

Wire the Loudspeakers

Refer to **Figure 1**.

1. On the loudspeaker transformer, identify the common (black) and the appropriate color coded wire for the desired wattage tap.
2. Trim the ends of the non used color coded tap wires to ensure no bare ends come into contact with other tap wires or metal surfaces.
3. Using wire nuts or crimps, attach the speaker supply wire negative to the common (black) lead of the transformer. Attach the speaker supply wire positive to the selected color coded transformer lead.



WARNING!: Do not attach more than one color coded transformer tap lead. This may result in transformer saturation and possibly damage the loudspeaker.

Mount the Loudspeaker

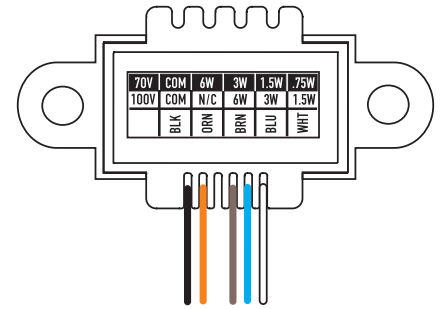
Refer to **Figure 2**.

1. Make sure all of the dog-ears are fully extended and in their non-capture position.
2. Position the loudspeaker into the hole prepared in the ceiling.
3. Use a Phillips screwdriver to tighten each of the four dog-ear screws. As you tighten the screws, the dog-ears will swing into capture position over the ceiling. Be sure all dog-ears are properly positioned over the ceiling.
4. Tighten the dog-ears until firm contact is made with the ceiling surface.

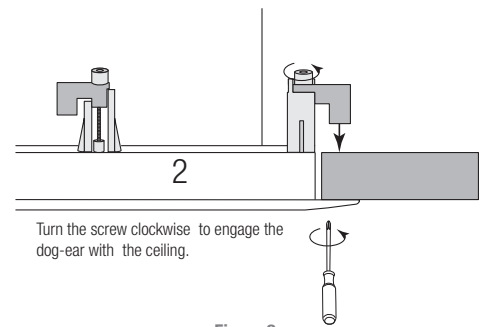
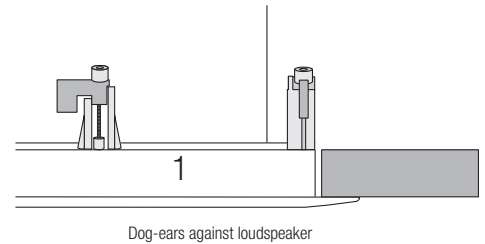


CAUTION!: Do not overtighten the dog-ear screws!

5. Install the loudspeaker grill.



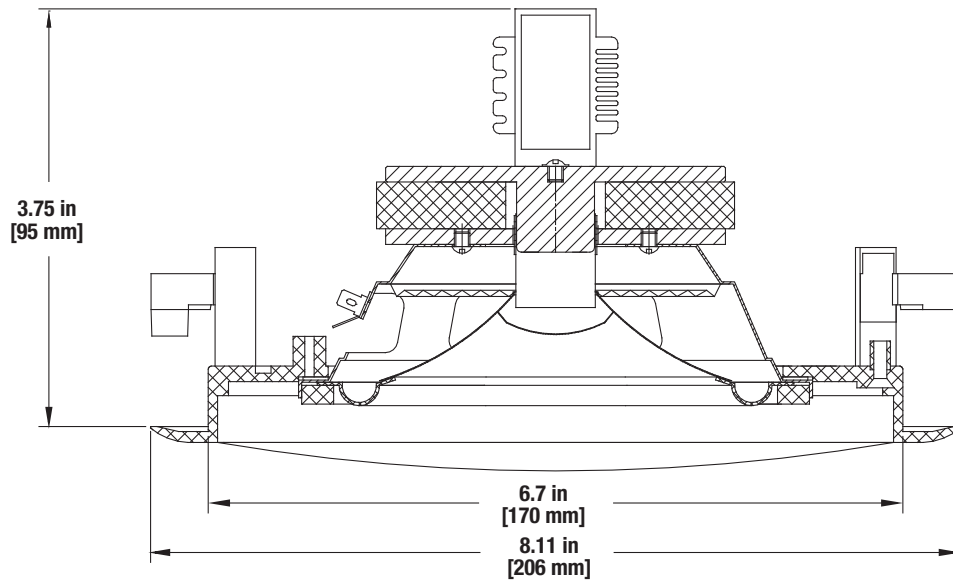
- Figure 1. -



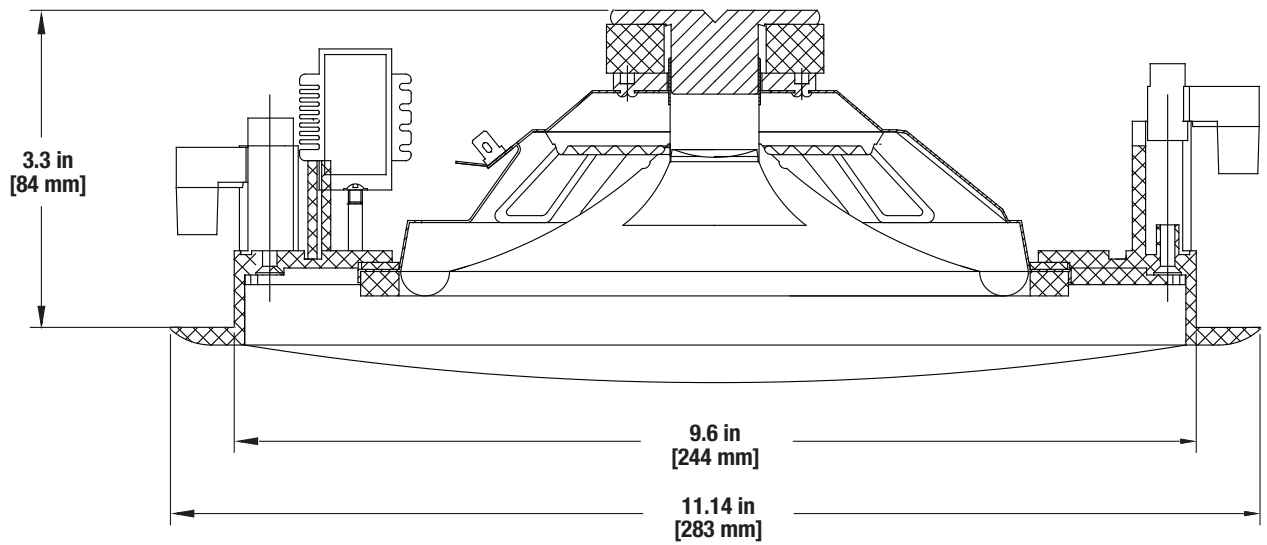
- Figure 2. -

Dimensions

AC-C4T-nb



AC-C8T-nb



Specifications

	AC-C4T-nb	AC-C8T-nb
Transducer	100 mm [4 in.] weather treated paper cone	200 mm [8 in.] weather treated paper cone
Rated noise power [rms] ⁽¹⁾	6 W	6 W
Nominal Impedance	8Ω	8Ω
Transformer Taps	70V: 6, 3, 1.5, 0.75 W 100V: 6, 3, 1.5 W	70V: 6, 3, 1.5, 0.75 W 100V: 6, 3, 1.5 W
Effective frequency range ⁽²⁾	62 Hz – 18 kHz	53 Hz – 20 kHz
Rated coverage ⁽³⁾	140° conical	130° conical
Directivity factor	4	5.6
Directivity index [dB]	6	7.5
Sensitivity ⁽⁴⁾	93 dB	96 dB
Maximum continuous SPL ⁽⁵⁾	101 dB	104 dB
Maximum peak SPL ⁽⁵⁾	107 dB	110 dB
Baffle material	ABS	ABS
Grille material	Powder coated steel	Powder coated steel
Cutout dimension	Ø 178 mm [Ø 7 in]	Ø 254 mm [Ø 10 in]
Net weight	1.2 kg [2.6 lb]	1.5 kg [3.4 lb]
Product dimensions (Diameter x Height)	Ø 206 x 95 mm [Ø 8.11 x 3.75 in.]	Ø 283 x 84 mm [Ø 11.14 x 3.3 in.]
Shipping weight	5.9 kg [13.1 lb] (packs of 4)	7.8 kg [17.3 lb] (packs of 4)
Shipping dimensions (H x W x D)	254 x 324 x 476 mm [10 x 12.75 x 18.75 in] (packs of 4)	343 x 324 x 635 mm [13.5 x 12.75 x 25 in] (packs of 4)

1 AES2-1984 noise signal for 2 Hrs, 8Ω

2 Free-field, -10 dB from on-axis sensitivity

3 -6 dB from on-axis, 500 Hz–5 kHz

4 Free-field, on-axis, 2.83V, 1 m

5 Calculated from rated noise voltage and sensitivity



Mailing Address:

QSC, LLC

1675 MacArthur Boulevard

Costa Mesa, CA 92626-1468 USA

Telephone Numbers:

Main Number: (714) 754-6175

Sales & Marketing: (714) 957-7100 or toll free (USA only) (800) 854-4079

Customer Service: (714) 957-7150 or toll free (USA only) (800) 772-2834

Facsimile Numbers:

Sales & Marketing FAX: (714) 754-6174

Customer Service FAX: (714) 754-6173

World Wide Web:

www.qsc.com

E-mail:

info@qsc.com

service@qsc.com

tech_support@qsc.com