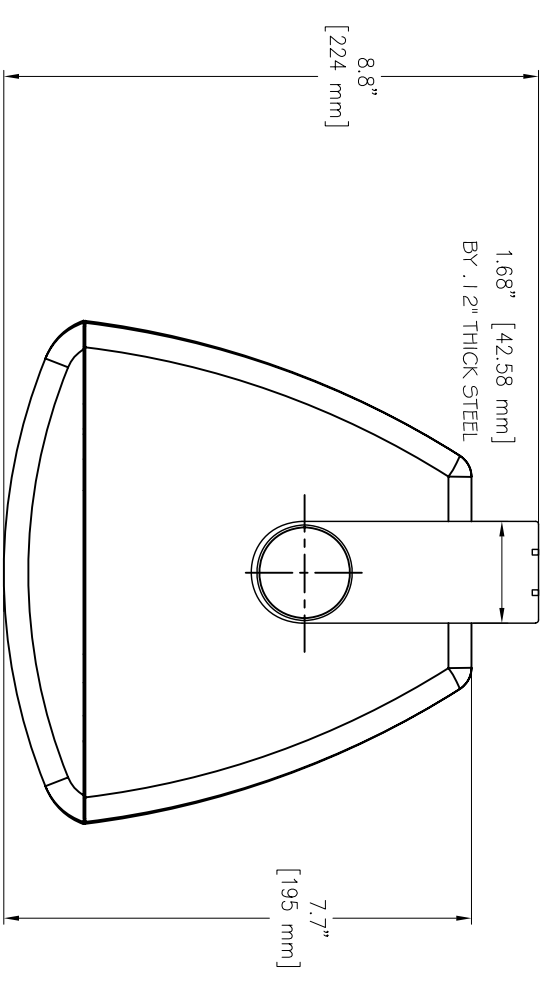


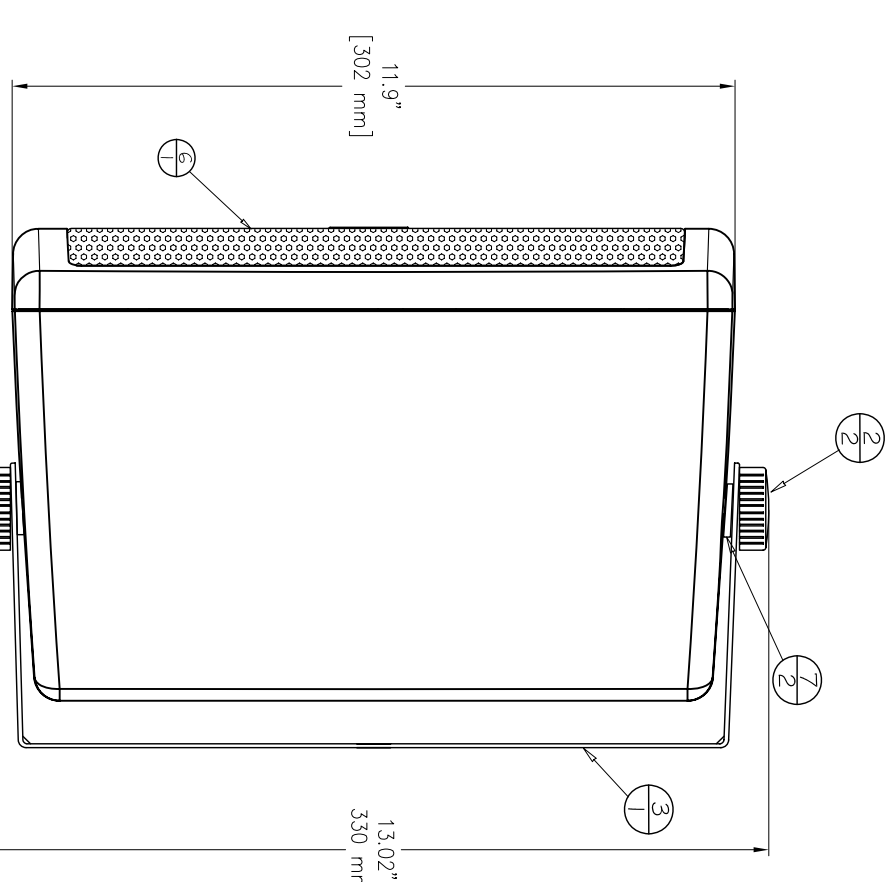
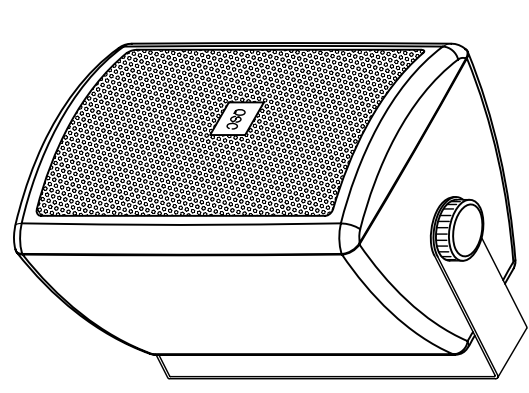
THIS DOCUMENT CONTAINS PROPRIETARY INFORMATION THAT IS THE PROPERTY OF QSC AUDIO PRODUCTS. ANY REPRODUCTION OR DISSEMINATION OF THIS DOCUMENT WITHOUT WRITTEN CONSENT FROM QSC AUDIO PRODUCTS IS PROHIBITED.

REV		ECO	DESCRIPTION	BY	EFF DATE	ISSUED
A			PRODUCTION RELEASE	MJ	04-01-15	

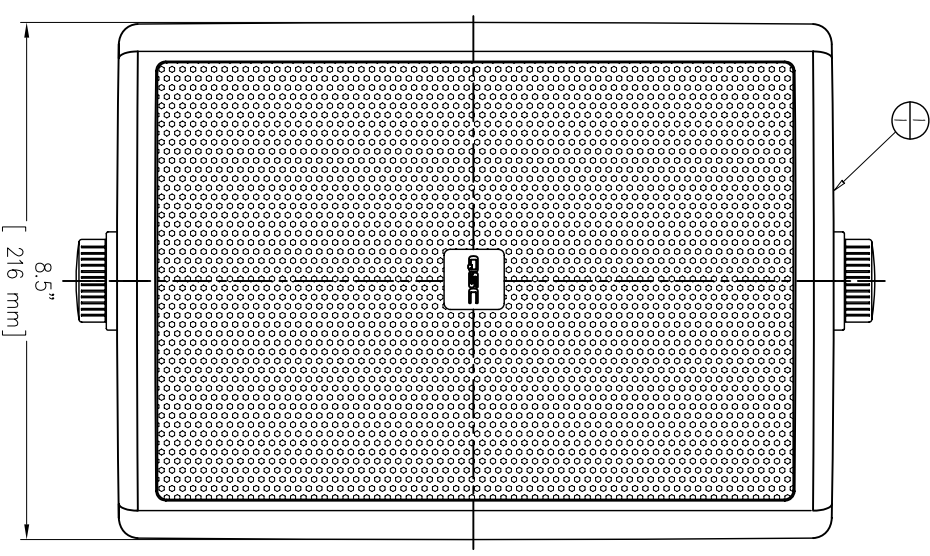
REVISIONS



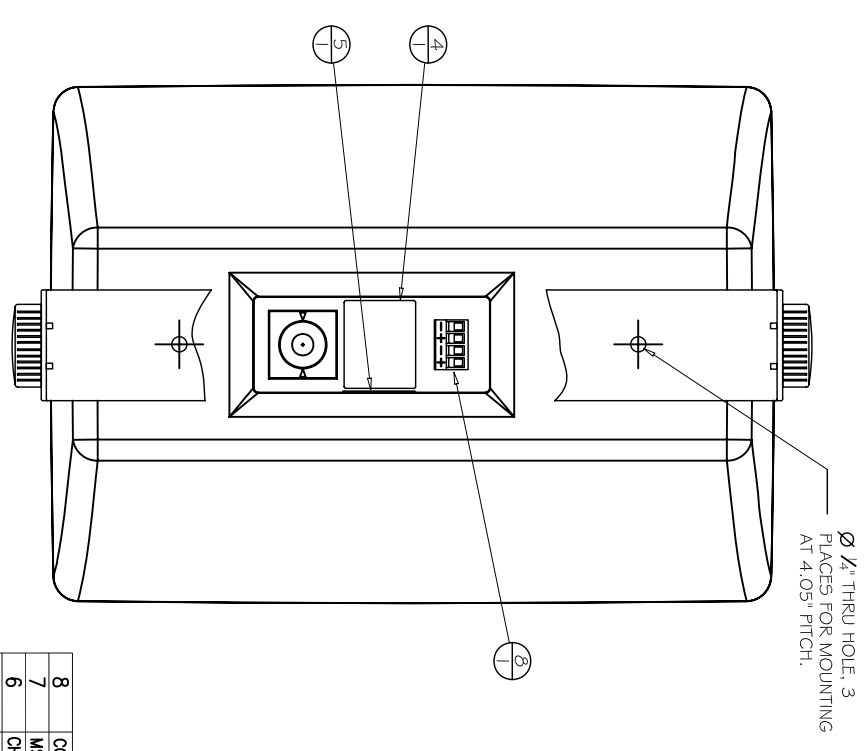
TOP VIEW



SIDE VIEW



FRONT VIEW



REAR VIEW (YOKE MOUNT PARTIAL CUT)

BILL OF MATERIALS

ITEM	PART NUMBER	DESCRIPTION	QTY
1	WP-060066-XX	SPEAKER ASSY, AC-SBT SURFACE W/FRM YOKE MOUNT	1
2	PL-000798-XX	YOKE MOUNT, AC-SBT	2
3	CH-001365-XX	YOKE MOUNT, AC-SBT	1
4	LB-001063-XX	LABEL, PRODUCT, AC-SBT	1
5	LB-0000118-00	LABEL, DATE CODE, DIM	1
6	CH-001363-XX	GRILL ASSY, AC-SBT	1
7	MS-000733-01	SPEAKER YOKE, BLACK, AC-SBT & AC-SBT	2
8	CO-000633-00	EARP CONNECTOR, 4-POSITION, FEMALE, AC-SBT & AC-SBT	1

APPROVALS	DATE	DATE
DRAWN M. JEN	(DD-MMM-YY) 01/04/15	
CHECKED M. JEN	01/04/15	
DESIGNED M. JEN	01/04/15	
WFG ENG M. JEN	01/04/15	
QA CHECK M. JEN	01/04/15	

SPEAKER, AC-SBT, 6" SURFACE W/FMR YOKE MOUNT



QSC AUDIO PRODUCTS, LLC
1675 MACARTHUR BOULEVARD
COSTA MESA, CA 92626

TOLERANCES	APPROVALS	DATE
MIL	(DD-MMM-YY)	
M. JEN	01/04/15	
M. JEN	01/04/15	
M. JEN	01/04/15	
M. JEN	01/04/15	

FINISH	SCALE	DO NOT SCALE DRAWING	SHEET	REV
	1:5		1 OF 1	2

3. SUPPLIER SHALL PROVIDE FIRST ARTICLE INSPECTION REPORT PER QAP-043.
2. FINISH COLOR: -01 BLACK VERSION; -02 WHITE VERSION.
1. ALL PARTS MUST BE ROHS COMPLIANT PER QSC RD-000160-00. SUPPLIER MUST PROVIDE A CERTIFICATE OF ROHS COMPLIANCE.
NOTE: UNLESS OTHERWISE SPECIFIED

8 7 6 5 4 3 2 1