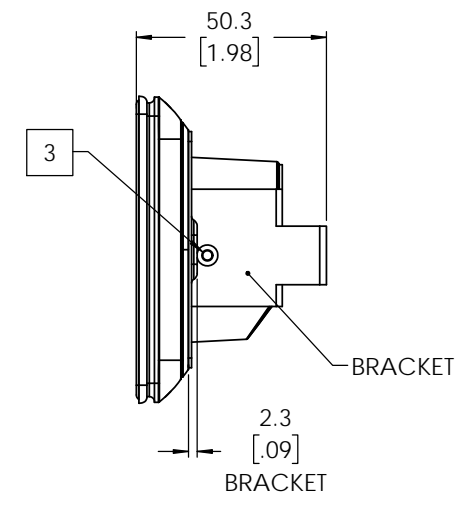
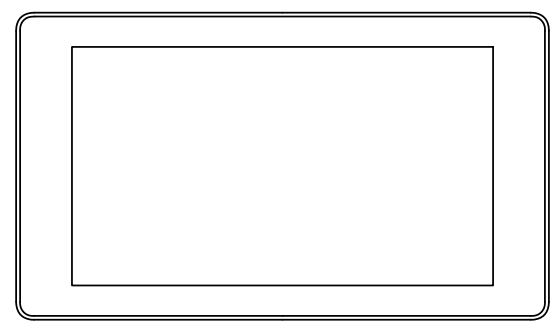
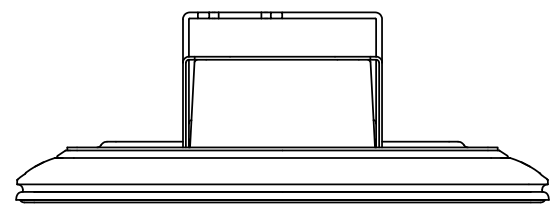
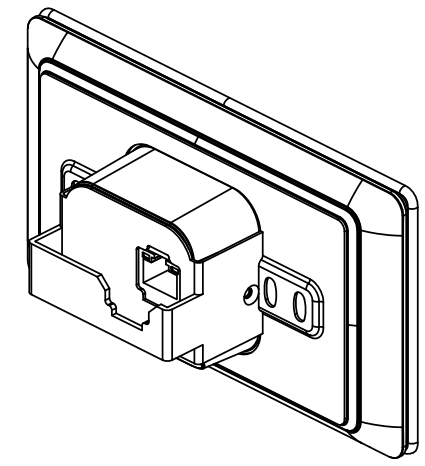


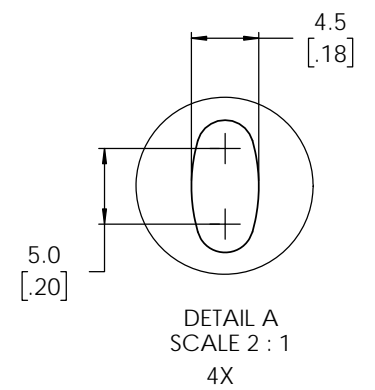
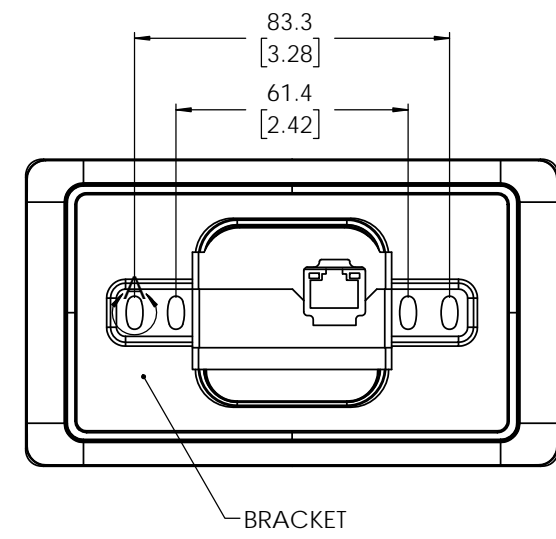
THIS DOCUMENT CONTAINS CONFIDENTIAL OR PROPRIETARY INFORMATION WHICH IS THE PROPERTY OF QSC, LLC THAT MAY NOT BE DISCLOSED, REPRODUCED OR USED WITHOUT EXPRESS WRITTEN CONSENT FROM QSC, LLC. NO PORTION OF THIS DOCUMENT MAY BE REPRODUCED, REDISTRIBUTED, OR OTHERWISE DISCLOSED TO ANY THIRD PARTY WITHOUT QSC'S WRITTEN PERMISSION.



TYPICAL VIEW BOTH SIDES



REAR ISOMETRIC VIEW



DETAIL A
SCALE 2 : 1
4X

MOUNTING BRACKET INSTALLED

SIZE	DWG. NO.	REV
B	FG-901371-2D	A
SCALE: 1:2 CAD FILE: FG-901371-2D		SHEET: 2 OF 2