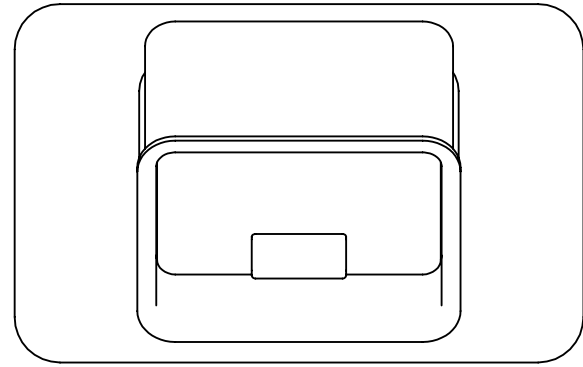


THIS DOCUMENT CONTAINS CONFIDENTIAL OR PROPRIETARY INFORMATION WHICH IS THE PROPERTY OF QSC, LLC THAT MAY NOT BE DISCLOSED, REPRODUCED OR USED WITHOUT EXPRESS WRITTEN CONSENT FROM QSC, LLC. NO PORTION OF THIS DOCUMENT MAY BE REPRODUCED, REDISTRIBUTED, OR OTHERWISE DISCLOSED TO ANY THIRD PARTY WITHOUT QSC'S WRITTEN PERMISSION.

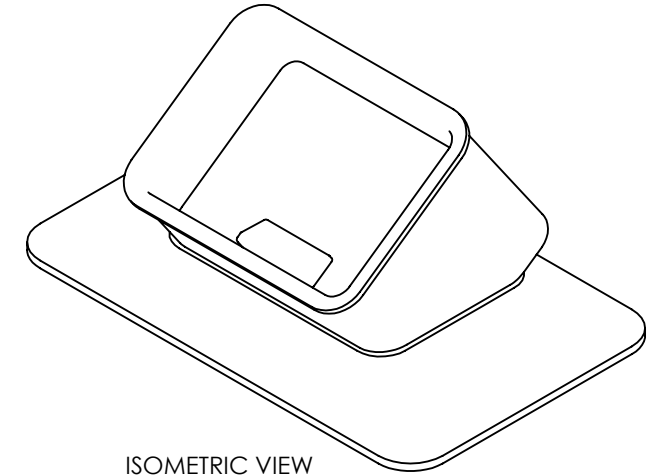
REVISIONS			
REV	DESCRIPTION	BY	DATE
A	INITIAL RELEASE	SS	15-DEC-2021

NOTES: UNLESS OTHERWISE SPECIFIED

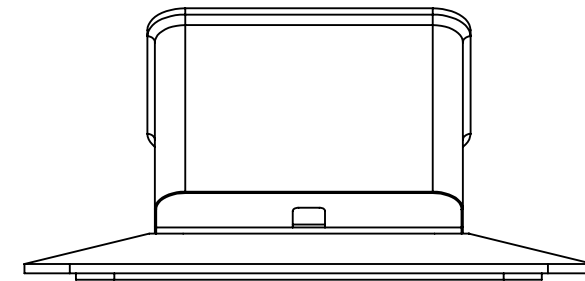
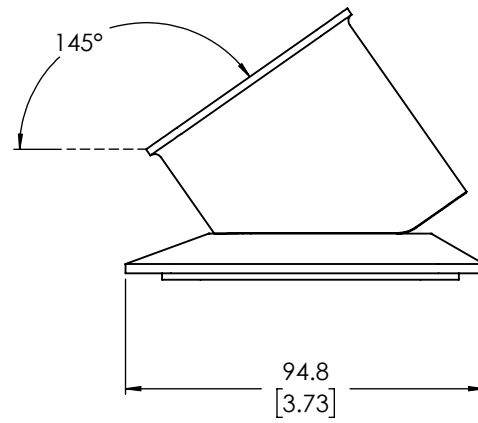
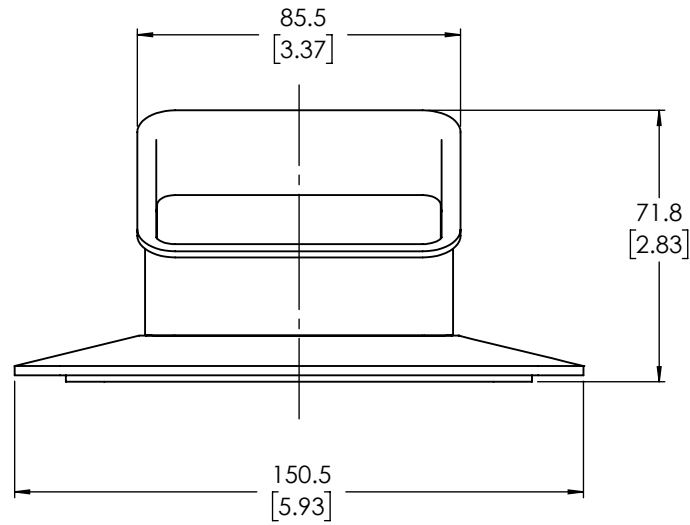
- NET WEIGHT APPROXIMATELY 0.50 KG [1.1 LBS] (1.03 KG [2.3 LBS] WITH 7" TOUCHSCREEN CONTROLLER, 1.37 KG [3.0 LBS] WITH 10" TOUCHSCREEN CONTROLLER).
- PARTS ARE SYMMETRICAL ABOUT CENTER LINES UNLESS OTHERWISE NOTED.



TOP VIEW



ISOMETRIC VIEW



STAND FOR 7" & 10" TOUCHSCREEN CONTROLLER

UNLESS OTHERWISE SPECIFIED DIMENSIONS ARE IN MM [IN] TOLERANCES ARE:	
DECIMALS .X ± 3.0 (.12)	ANGLES ± 1°
MATERIAL SEE NOTES	
FINISH SEE NOTES	
DO NOT SCALE DRAWING	
PROJECTION SYMBOL	

CAD GENERATED DRAWING DO NOT MANUALLY UPDATE	
APPROVALS	
DRAWN BY S. STASIAK	MECH ENGINEER
T. GOSSARD	TECH DIRECTOR
D. HOCH	MFG ENGINEER
T. MORGAN	

QSC QSC, LLC 1675 MACARTHUR BOULEVARD COSTA MESA, CA 92626 USA			
ACCESSORY, TSC-710T-G3, TSC-G3 7 & 10.1 IN TABLETOP STAND			
SIZE B	CAGE CODE 00PW4	DWG. NO. FG-901525-2D	REV A
SCALE: 1:2		CAD FILE: FG-901525-2D	SHEET: 1 OF 3