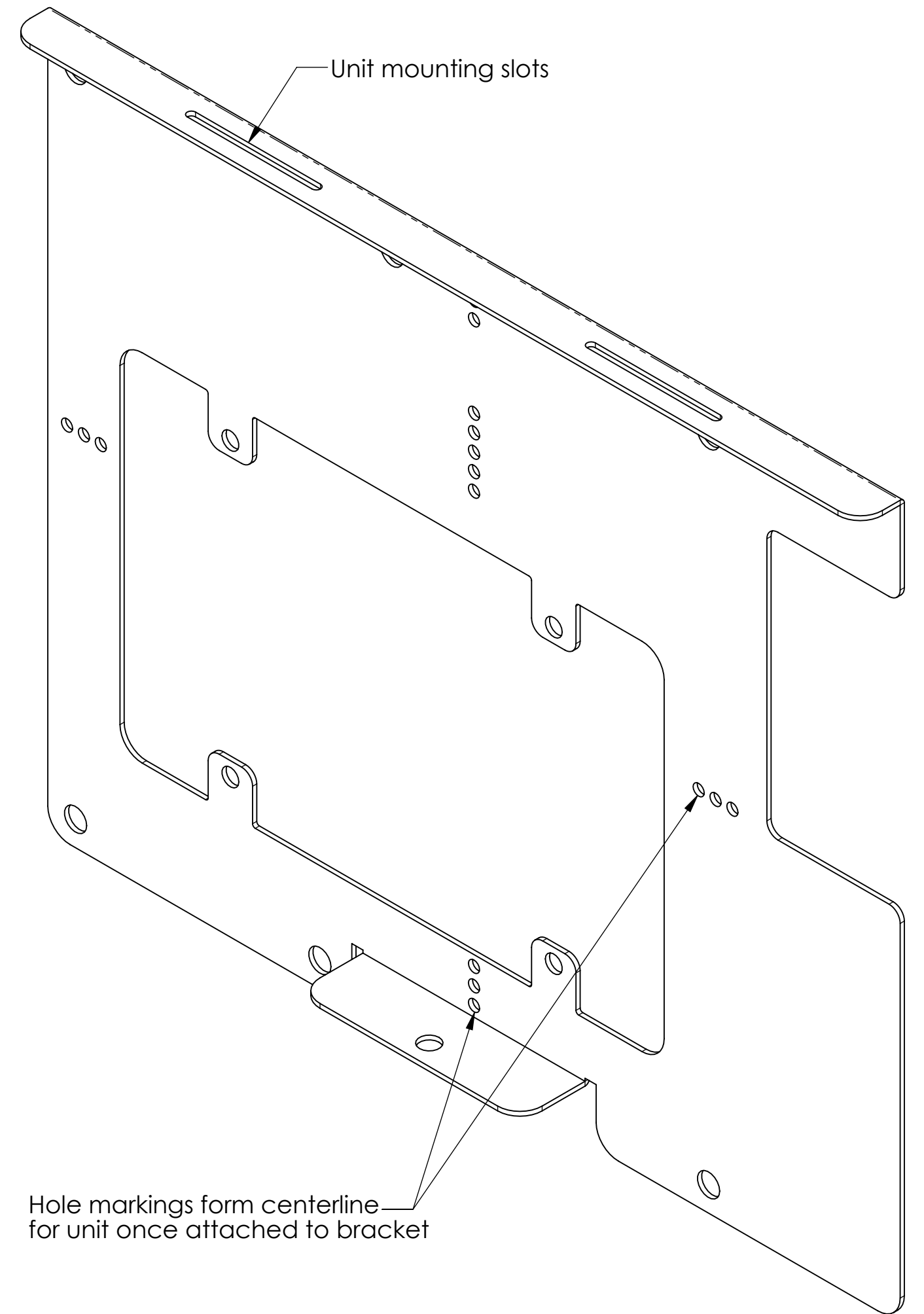
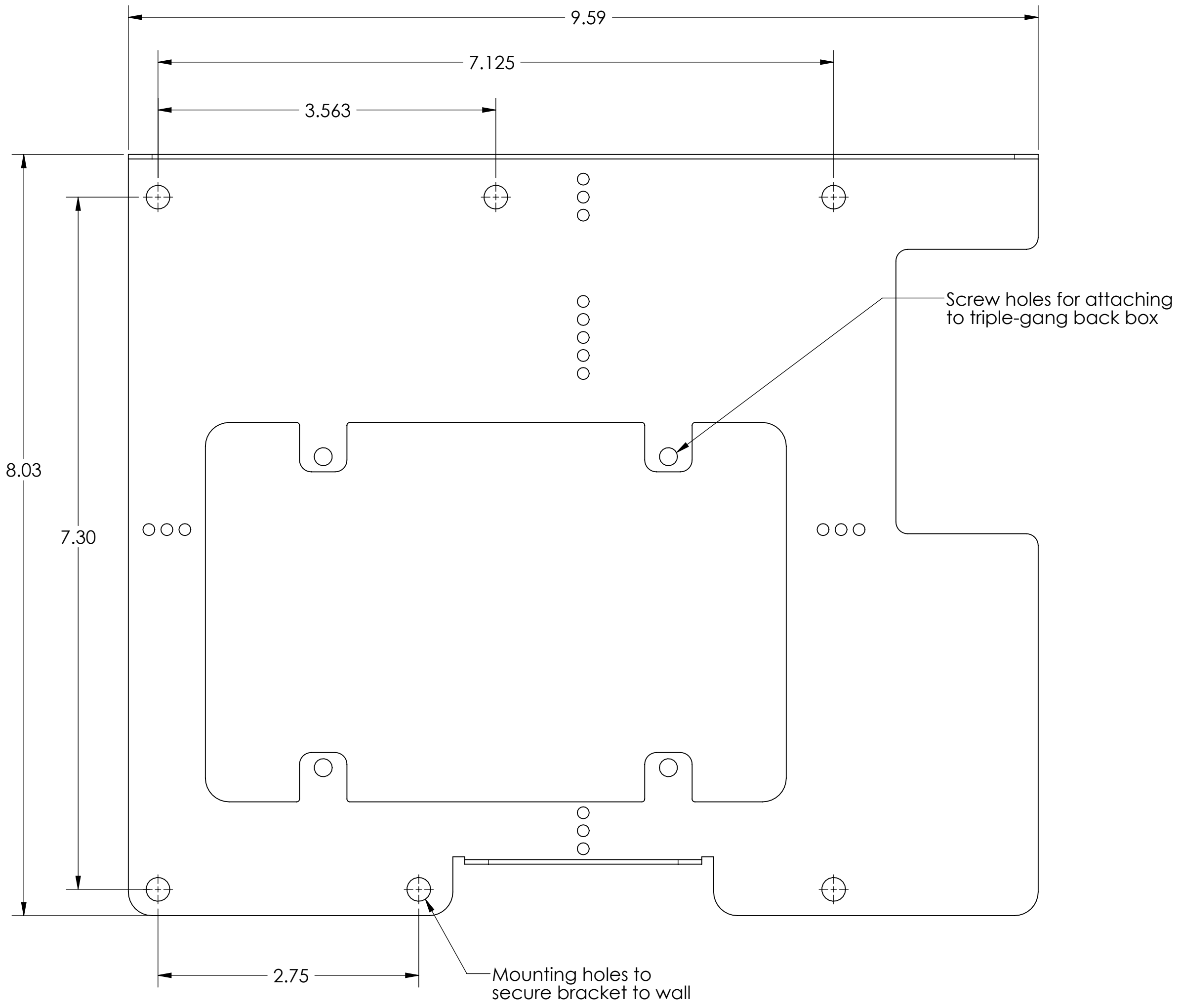
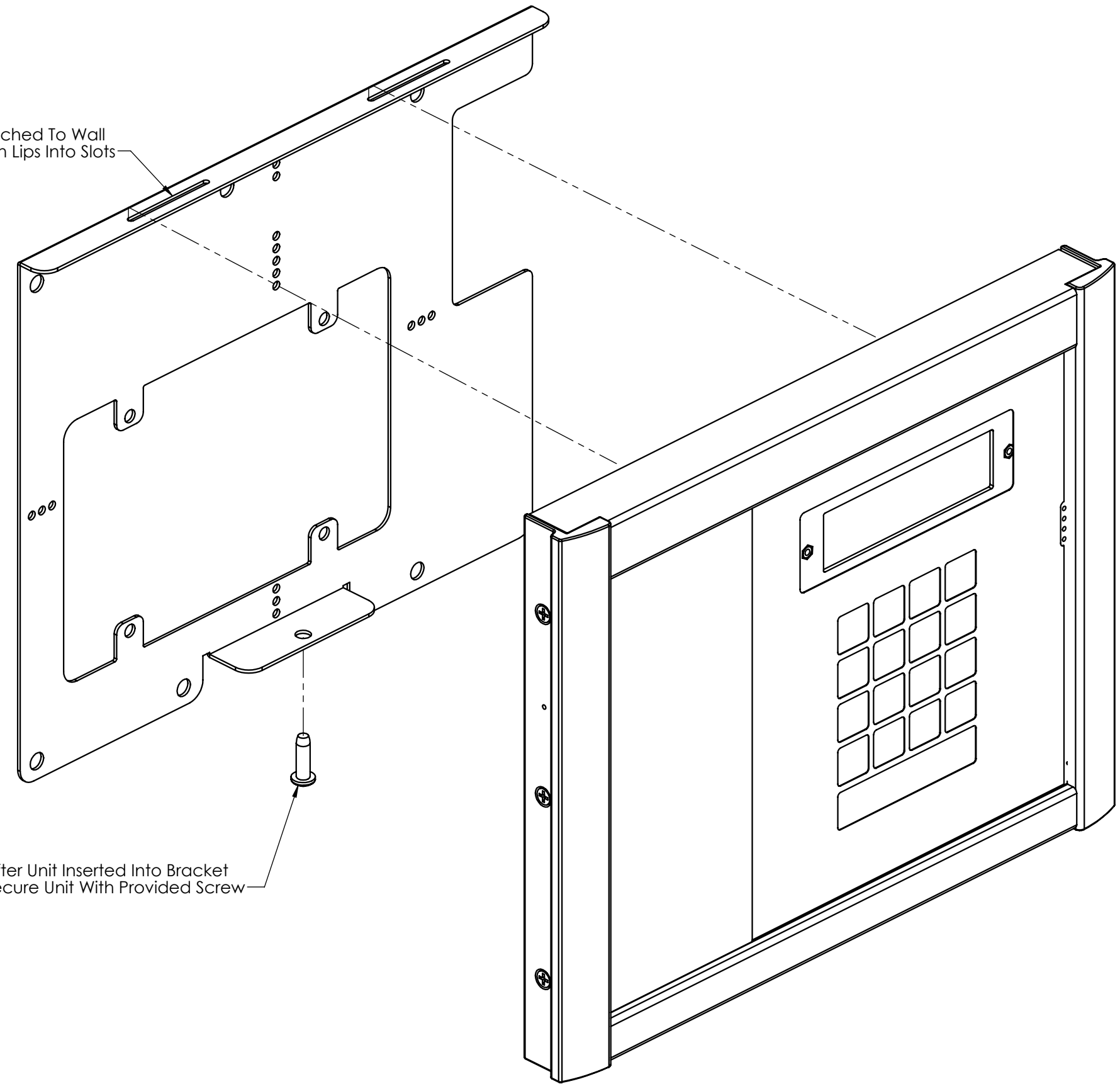


Page Station Mounting Bracket (All Models)

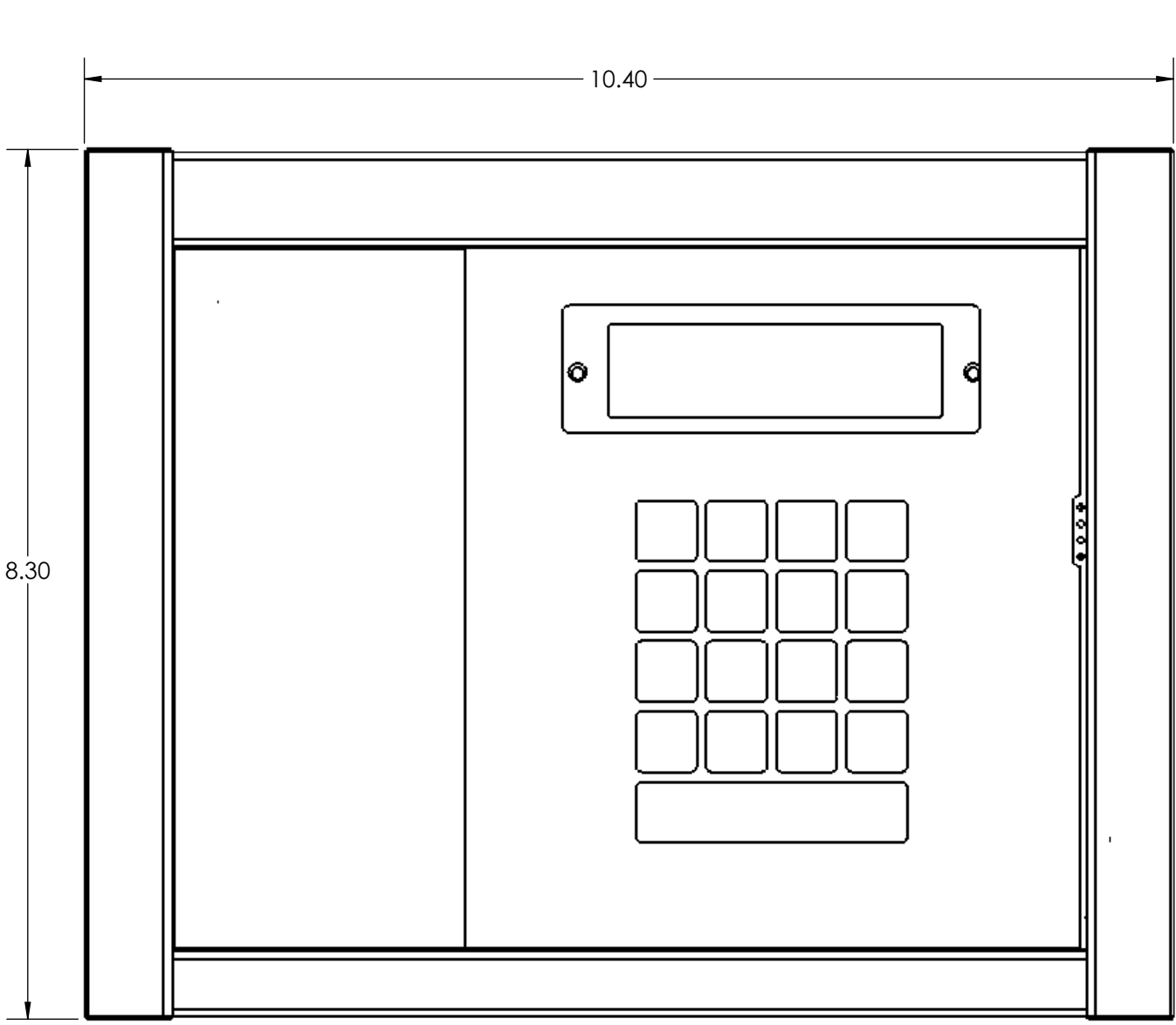


Once Mounting Bracket Attached To Wall
Assemble Unit To Bracket With Lips Into Slots

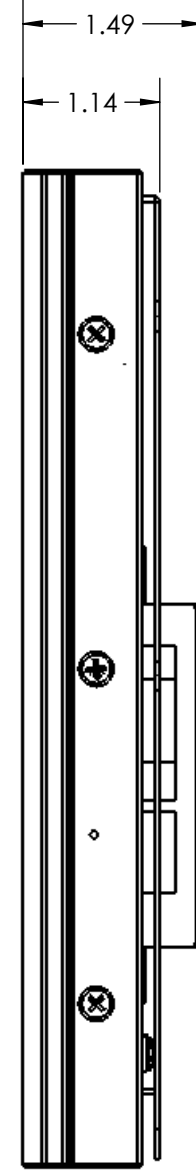


After Unit Inserted Into Bracket
Secure Unit With Provided Screw

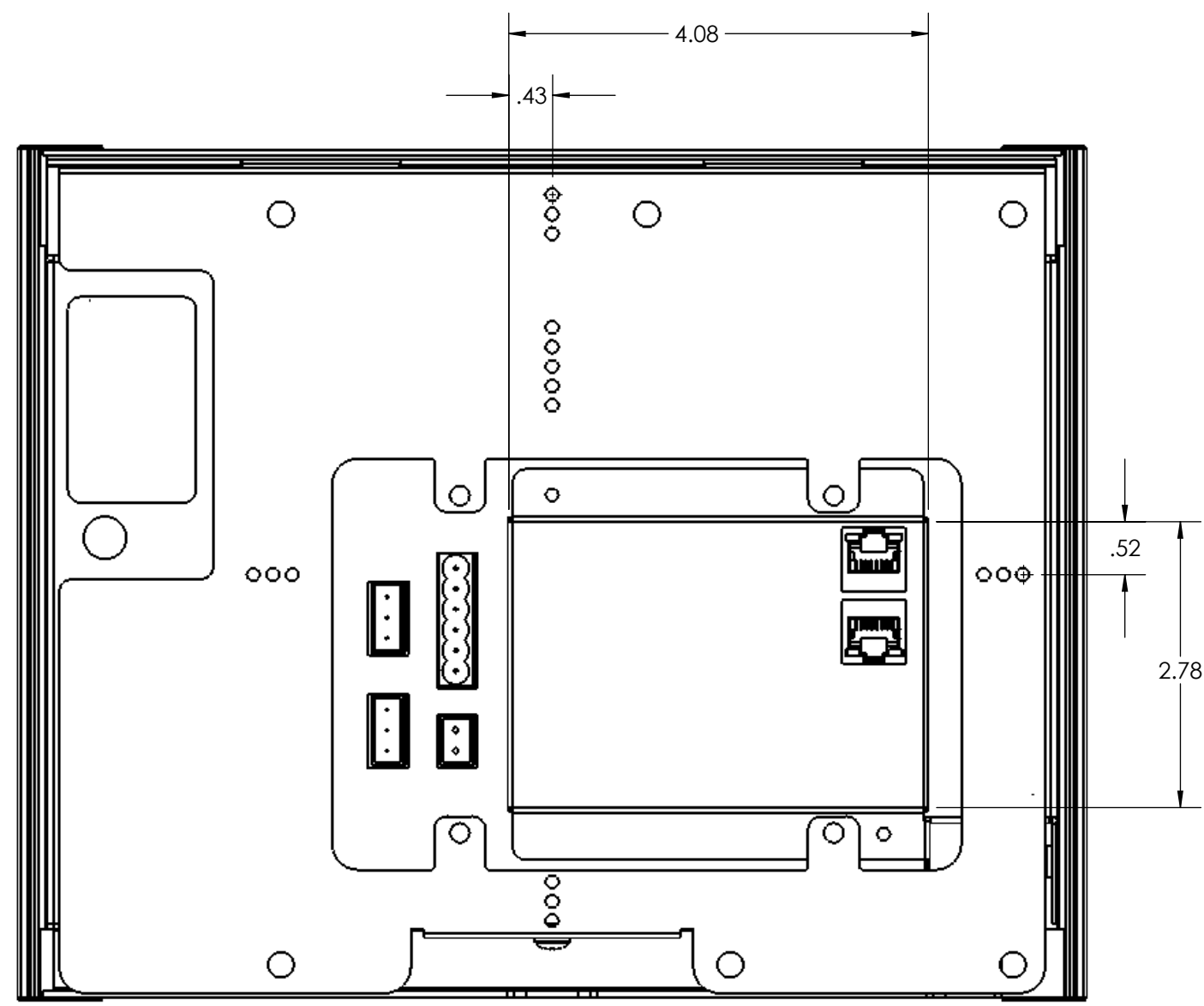
Page Station Unit Dimensions (All Models)



FRONT



SIDE



BACK