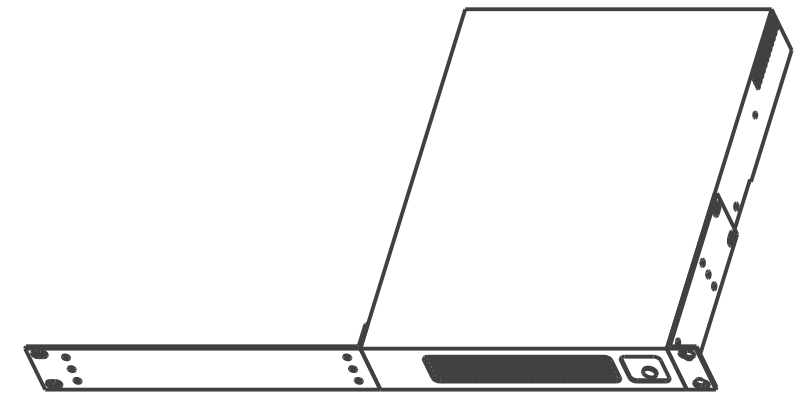
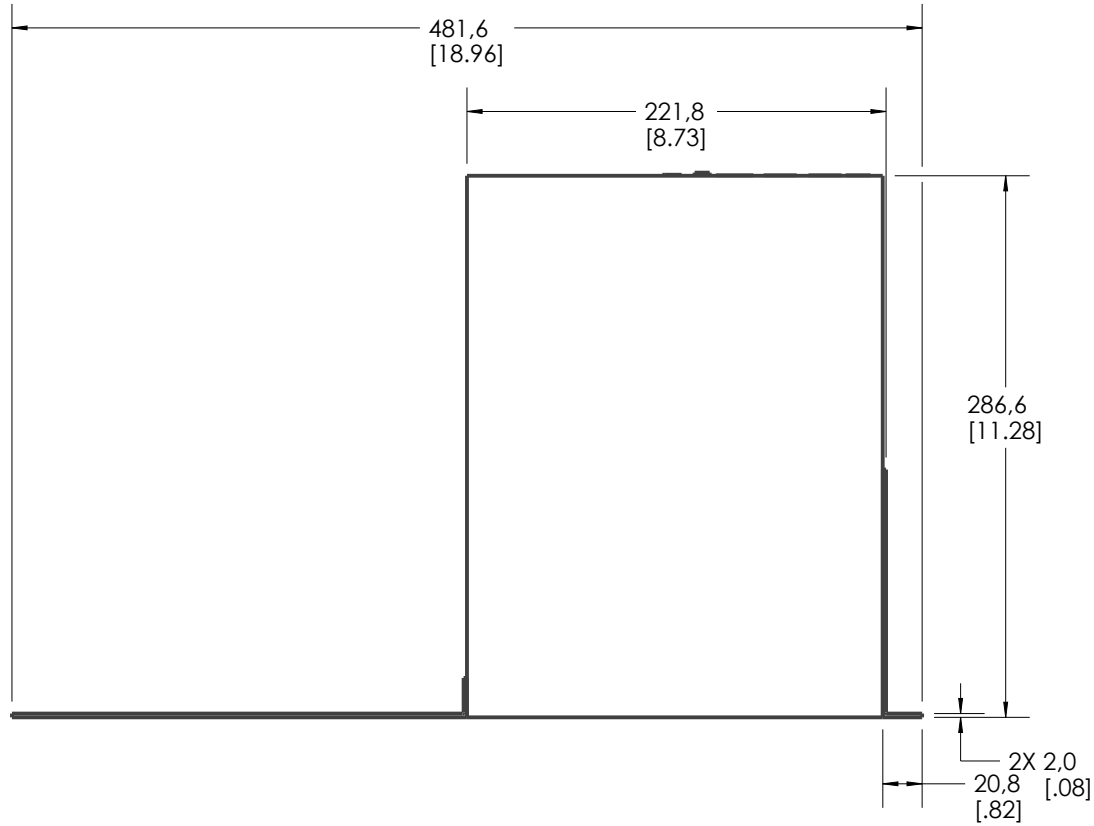


THIS DOCUMENT CONTAINS CONFIDENTIAL OR PROPRIETARY INFORMATION WHICH IS THE PROPERTY OF QSC, LLC, THAT MAY NOT BE DISCLOSED, REPRODUCED OR USED WITHOUT EXPRESS WRITTEN CONSENT FROM QSC, LLC. NO PORTION OF THIS DOCUMENT MAY BE REPRODUCED, REDISTRIBUTED, OR OTHERWISE DISCLOSED TO ANY THIRD PARTY WITHOUT QSC'S WRITTEN PERMISSION.

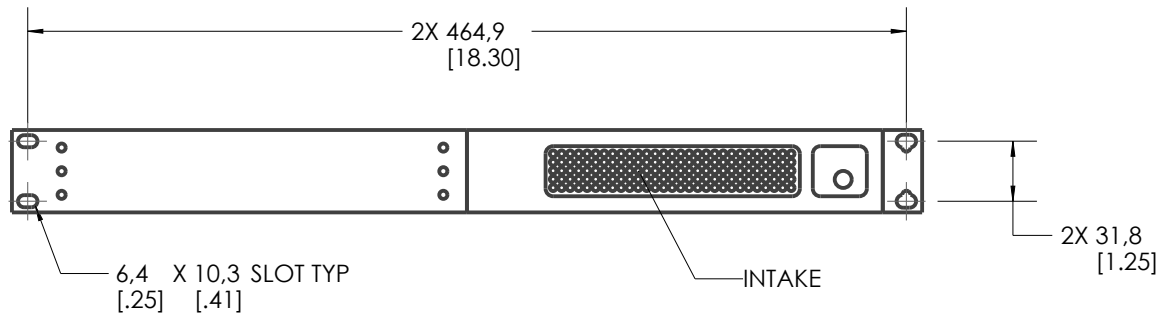
NOTES: UNLESS OTHERWISE SPECIFIED

- NET WEIGHT WITH HARDWARE SHOWN APPROXIMATELY 2.2 KG. [4.9 LBS.].
- PARTS ARE SYMMETRICAL ABOUT CENTER LINES UNLESS OTHERWISE NOTED.

REVISION			
REV	DESCRIPTION	BY	DATE
A	INITIAL RELEASE	SS	5-OCT-20

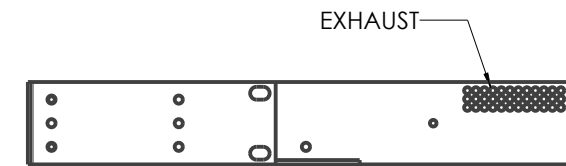
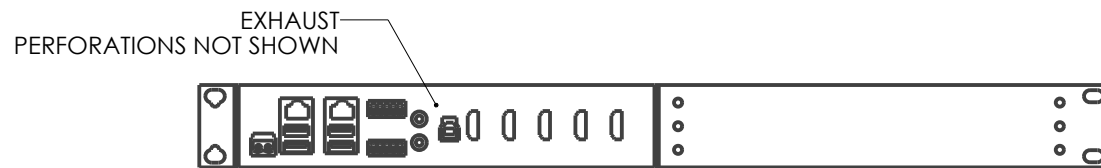


SCALE 1:5

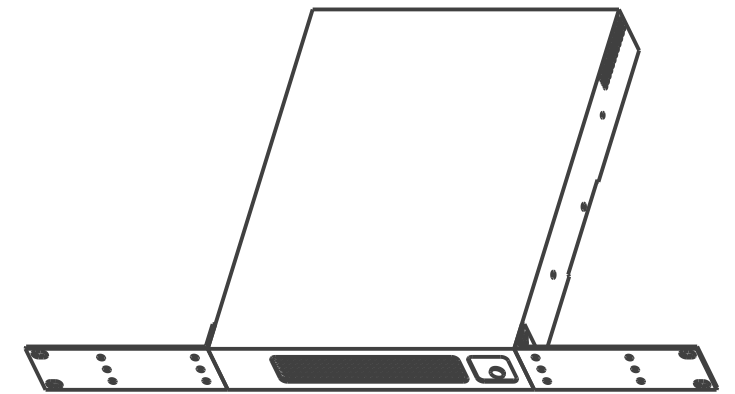


FRONT VIEW

REAR VIEW



SCALE 1:5  
OPTIONAL CENTERED MOUNTING



UNLESS OTHERWISE SPECIFIED DIMENSIONS ARE IN MM [IN]		CAD GENERATED DRAWING DO NOT MANUALLY UPDATE		QSC, LLC 1675 MACARTHUR BOULEVARD COSTA MESA, CA 92626 USA	
TOLERANCES ARE:		APPROVALS		VIDEO, NV-32-H (CORE CAPABLE), NETWORK VIDEO ENDPOINT SINGLE MOUNT, 19-INCH	
DECIMALS	ANGLES	DRAWN BY S. STASIAK		SIZE	REV
.X ± 3.0 [0.12]	±1°	MECH ENGINEER T. GOSSARD		B	A
.XX ±		TECH DIRECTOR L. MERCUS		CAGE CODE	DWG. NO.
MATERIAL -		MFG ENGINEER R. DELAGARZA		B	00PW4
FINISH -		DO NOT SCALE DRAWING		FG-901482-2D-A	
PROJECTION SYMBOL		SCALE: 1:4		CAD FILE: FG-901482-2D-A.A.1	SHEET: 1 OF 1