
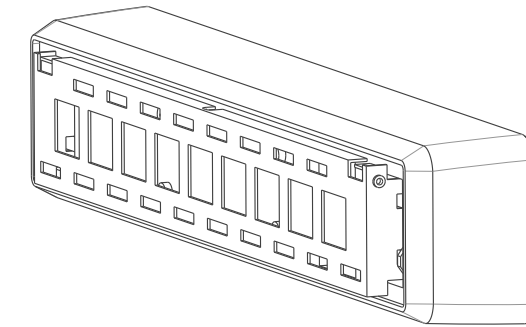


THIS DOCUMENT CONTAINS CONFIDENTIAL OR PROPRIETARY INFORMATION WHICH IS THE PROPERTY OF QSC, LLC, THAT MAY NOT BE DISCLOSED, REPRODUCED OR USED WITHOUT EXPRESS WRITTEN CONSENT FROM QSC, LLC. NO PORTION OF THIS DOCUMENT MAY BE REPRODUCED, REDISTRIBUTED, OR OTHERWISE DISCLOSED TO ANY THIRD PARTY WITHOUT QSC'S WRITTEN PERMISSION.

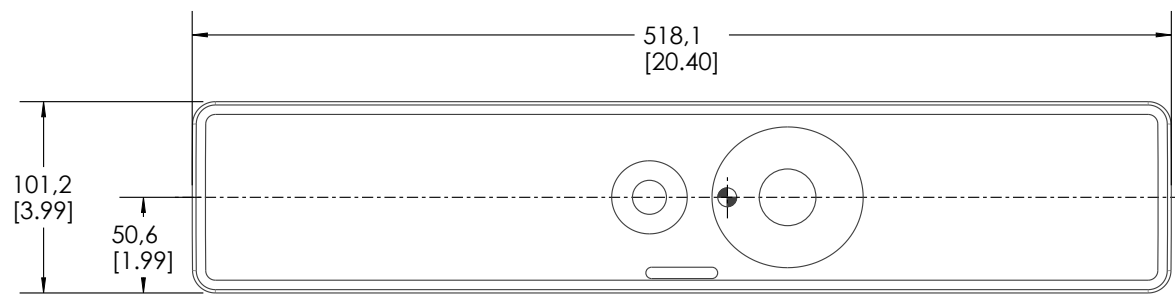
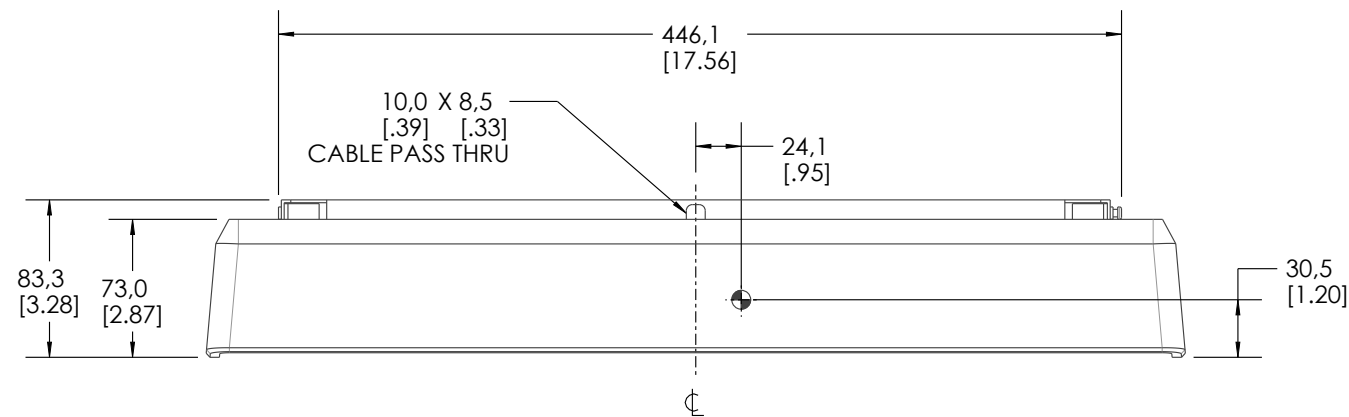
REVISION			
REV	DESCRIPTION	BY	DATE
A	INITIAL RELEASE	H.HE	15-MAR-22
B	DISPLAY DUAL DIMENSIONS, ADD CABLE PASS THRU CUT-OUT (SHEET 1 ZONE C6), ADD MISSING MOUNTING SCREW CUT-OUTS (SHEET 1 ZONE B2).	SS	8-JUN-22

NOTE: UNLESS OTHERWISE SPECIFIED.

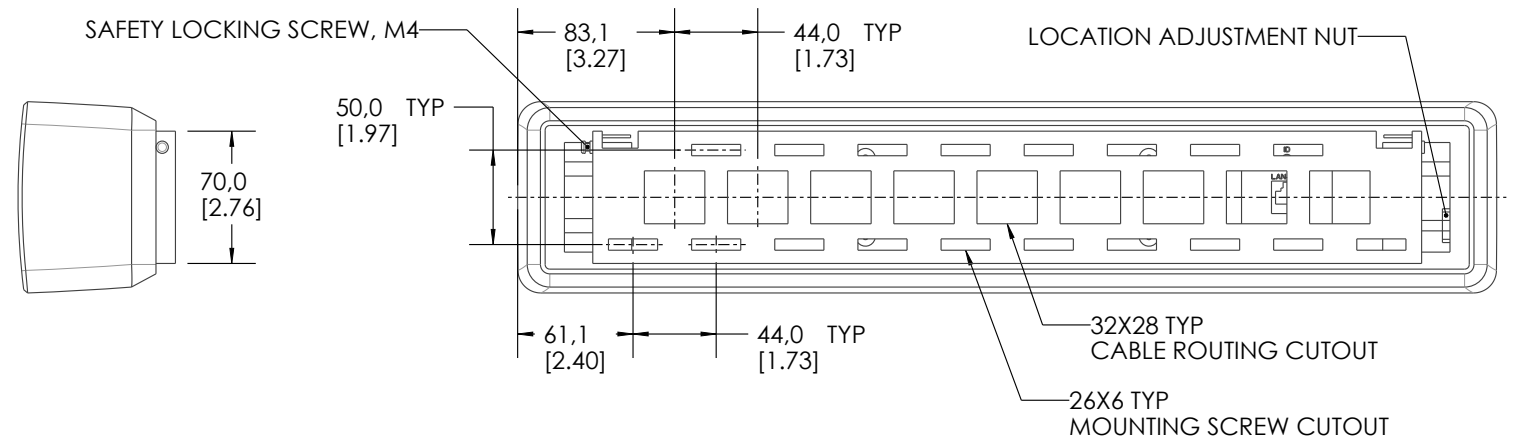
1. NET WEIGHT (WITH WALL MOUNTIGN BRACKET) APPROX 2.1KG [4.7LBS].
2. PARTS ARE SYMMETRICAL ABOUT CENTER LINES UNLESS OTHERWISE NOTED.
3. SYMBOL  INDICATES CENTER OF GRAVITY.
4. GRILLE NOT SHOWN FOR CLARITY.


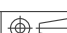


SPEAKER WITH WALL MOUNTING BRACKETS



FRONT VIEW
SPEAKER WITH WALL MOUNTING BRACKET

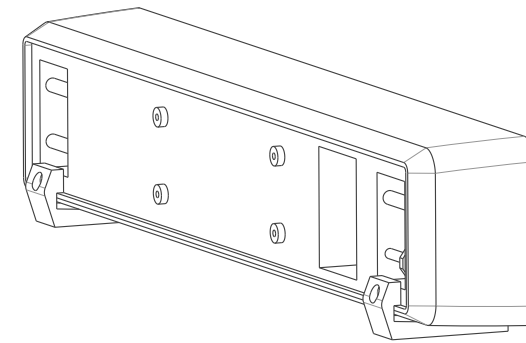


UNLESS OTHERWISE SPECIFIED DIMENSIONS ARE IN MM [IN] TOLERANCES ARE: DECIMALS ANGLES .X±3.0 [.12] ±1°	CAD GENERATED DRAWING DO NOT MANUALLY UPDATE	 QSC, LLC 1675 MACARTHUR BOULEVARD COSTA MESA, CA 92626 USA
	APPROVALS	
MATERIAL N/A	DRAWN BY H. HE	LOUDSPEAKER,NL-SB42-BK, SPEAKER BAR
FINISH N/A	MECH ENGINEER T. GOSSARD	
DO NOT SCALE DRAWING	TECH DIRECTOR J. SANDERS	
PROJECTION SYMBOL 	MFG ENGINEER M. LUO	
SIZE CAGE CODE DWG. NO. REV B 00PW4 FG-901507-2D B		SCALE: 1 : 4 CAD FILE: FG-901507-2D.B.1 SHEET: 1 OF 2

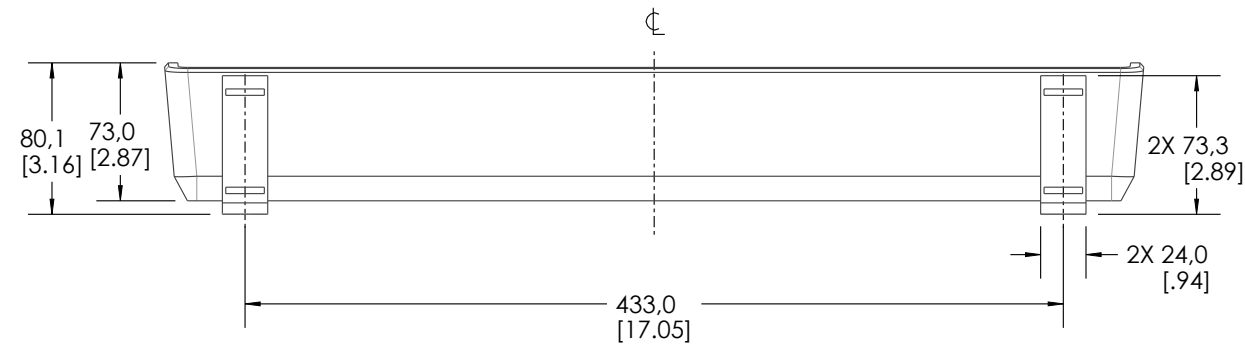
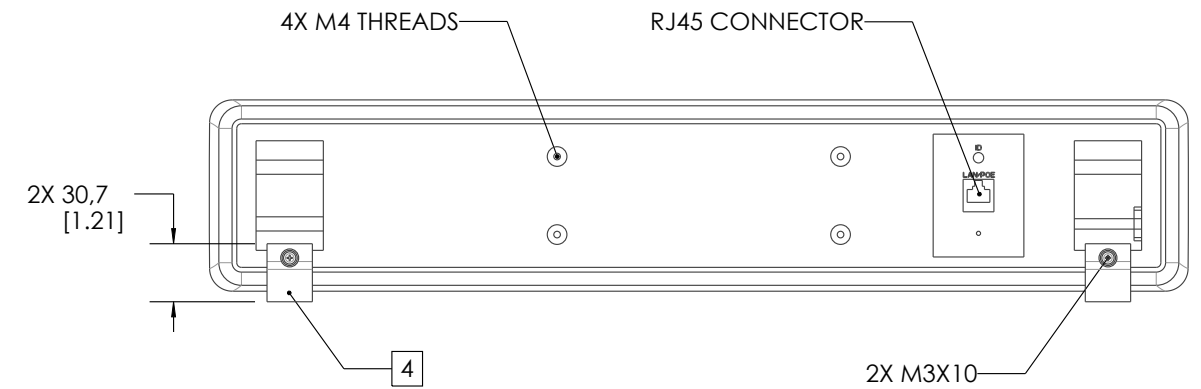
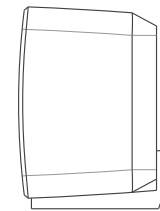
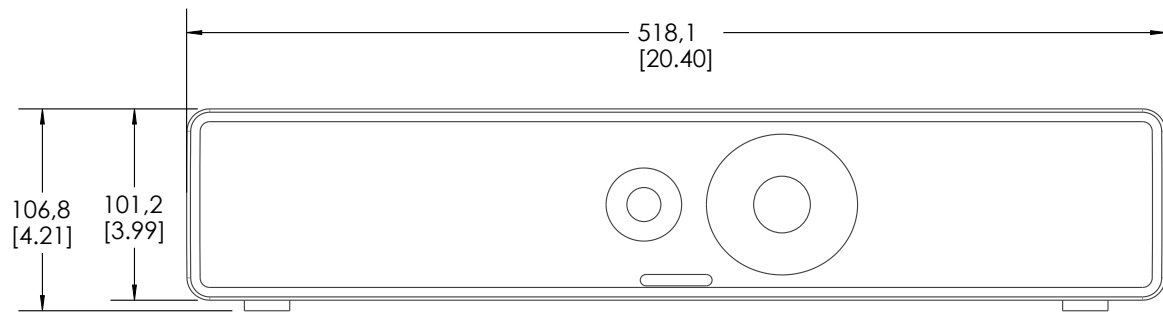
THIS DOCUMENT CONTAINS CONFIDENTIAL OR PROPRIETARY INFORMATION WHICH IS THE PROPERTY OF QSC, LLC. THAT MAY NOT BE DISCLOSED, REPRODUCED OR USED WITHOUT EXPRESS WRITTEN CONSENT FROM QSC, LLC. NO PORTION OF THIS DOCUMENT MAY BE REPRODUCED, REDISTRIBUTED, OR OTHERWISE DISCLOSED TO ANY THIRD PARTY WITHOUT QSC'S WRITTEN PERMISSION.

NOTE: UNLESS OTHERWISE SPECIFIED.

1. NET WEIGHT (WITH SURFACE MOUNTING FEET) APPROX 1.8KG [4.0LBS].
2. PARTS ARE SYMMETRICAL ABOUT CENTER LINES UNLESS OTHERWISE NOTED.
3. GRILLE NOT SHOWN FOR CLARITY.
4. DETACHABLE FEET PROVIDED FOR SURFACE MOUNTING, 2 PIECES.



SPEAKER WITH SURFACE MOUNTING FEET



BOTTOM VIEW
SPEAKER WITH SURFACE MOUNTING FEET

SIZE	CAGE CODE	DWG. NO.	REV
B	00PW4	FG-901507-2D	B
SCALE: 1:4	CAD FILE: FG-901507-2D.B.1	SHEET: 2 OF 2	