

4

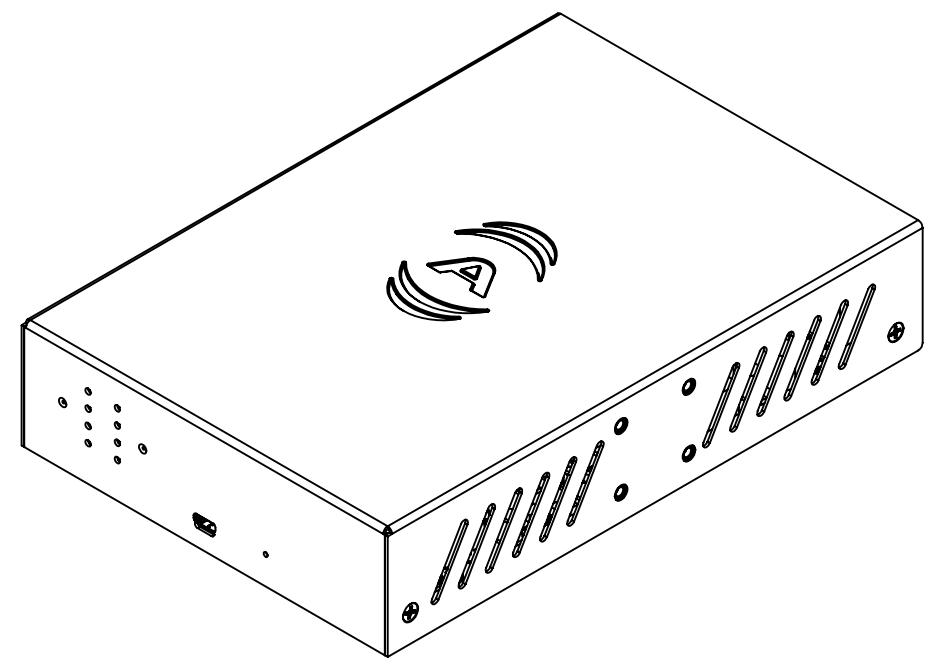
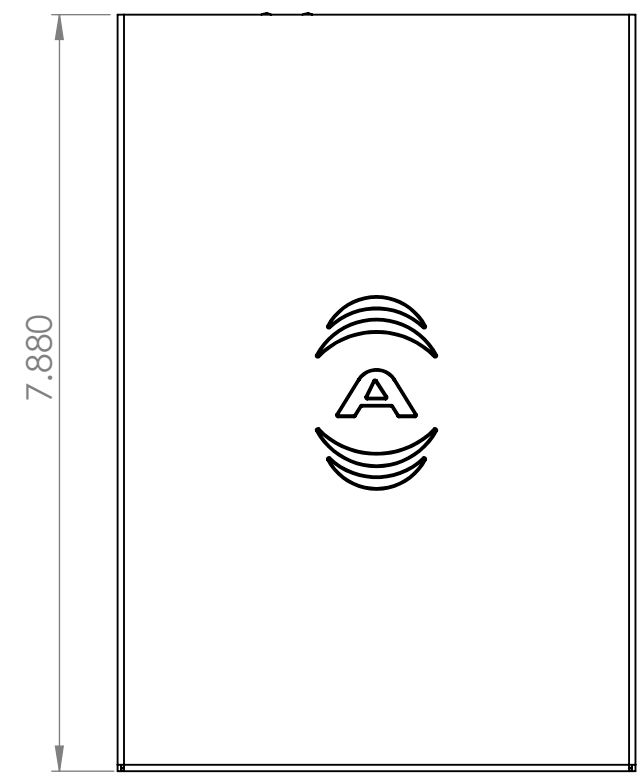
3

2

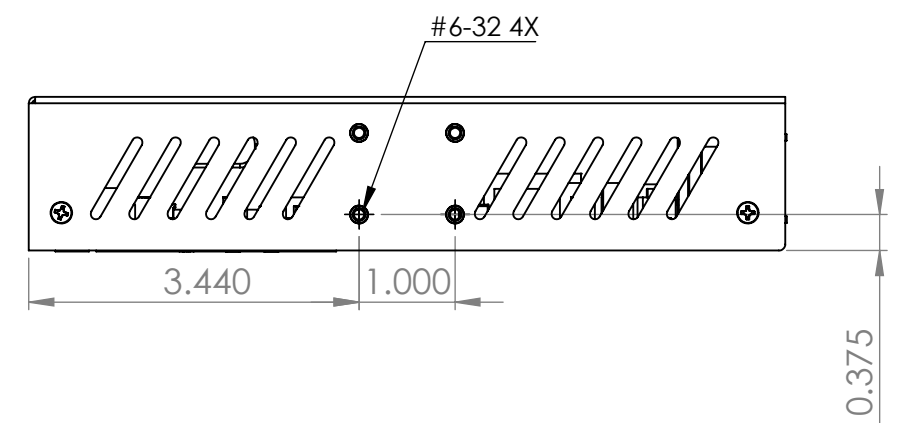
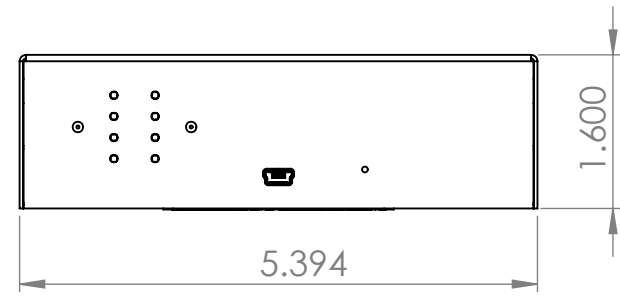
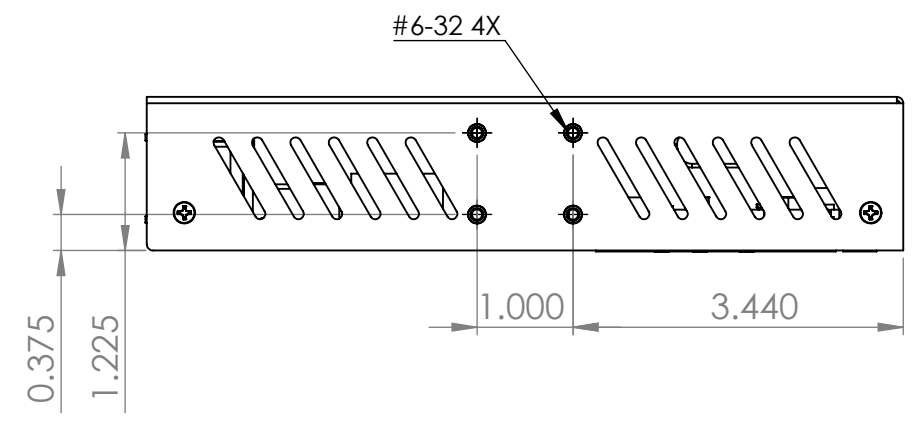
1

B

B




**A4FLEX WITHOUT MOUNTING TABS**  
**SEE SHEET 2 FOR MOUNTING OPTIONS**



A

A

MATERIAL: <b>22ga GALVANNEAL</b>				CLIENT NAME: <b>(C) 2018 ATTEROTECH</b>		
FINISH: <b>BLACK POWDER COAT</b>				PART NO. <b>711-00007-01</b>		
UNLESS OTHERWISE SPECIFIED: DIMENSIONS ARE IN INCHES TOLERANCE: ANGLE +/- 1 DEG X.XX= +/- 0.01" X.XXX= +/- 0.010" DO NOT SCALE DRAWING		DESIGNER <b>MCH</b>		DATE <b>10/2/2018</b>		
		CUSTOMER		DATE		
		MFG		DATE		
THE INFORMATION CONTAINED IN THIS DOCUMENT IS ISSUED IN STRICT CONFIDENCE AND SHALL NOT WITHOUT PRIOR WRITTEN PERMISSION OF THE CLIENT BE REPRODUCED, COPIED OR USED FOR ANY PURPOSE WHATSOEVER AND MUST BE RETURNED UPON REQUEST.		APPROVED		DATE		
		DESCRIPTION <b>INST DWG, ATTERO TECH, A4FLEX</b>		SIZE <b>B</b>	CUST NO.	DWG. NO. <b>711-00007-01</b>
		SCALE <b>1:2</b>		SHEET TITLE		SHEET <b>1 OF 2</b>

4

3

2

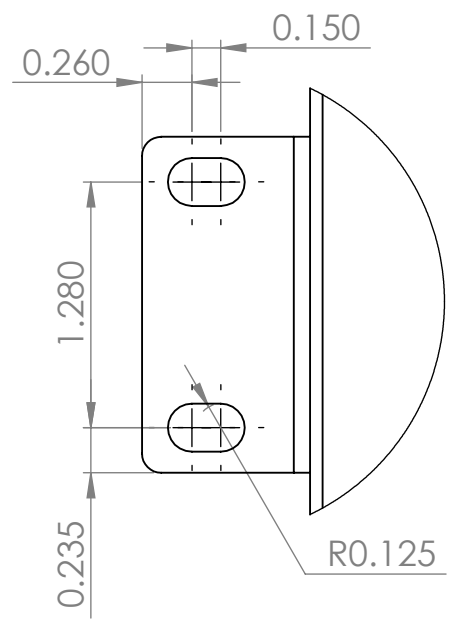
1

4

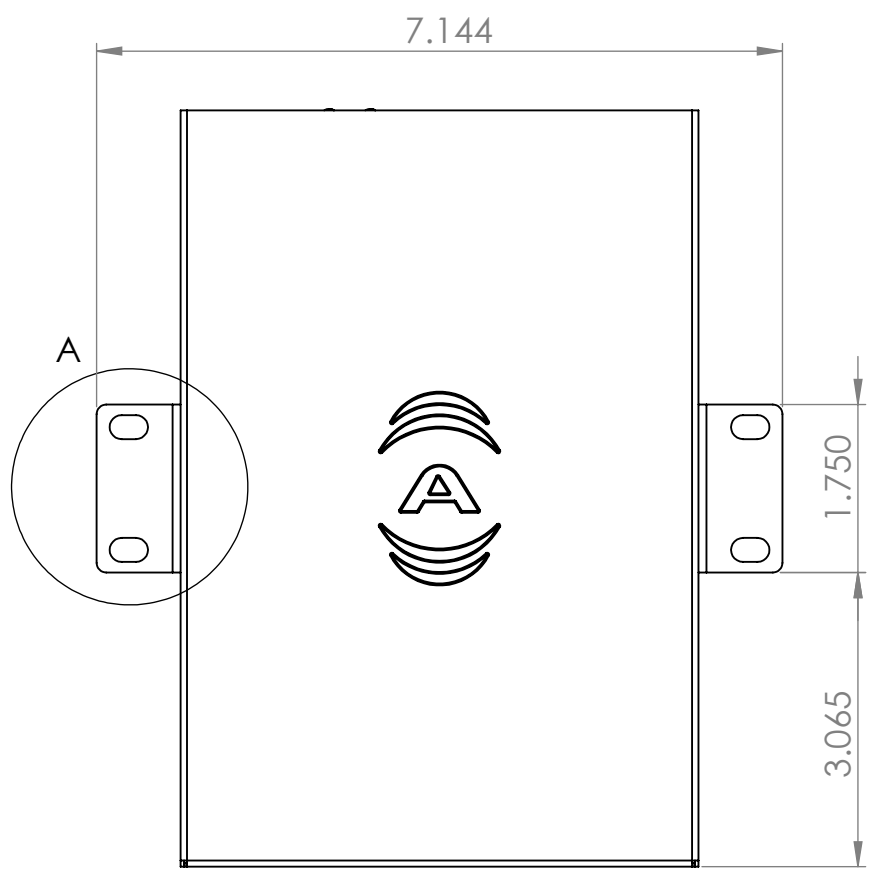
3

2

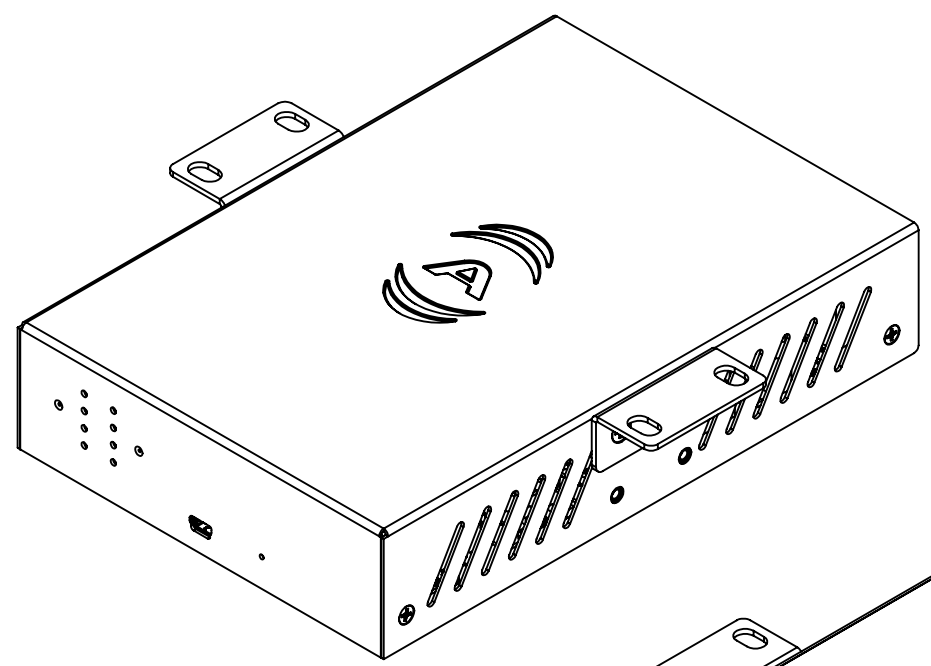
1



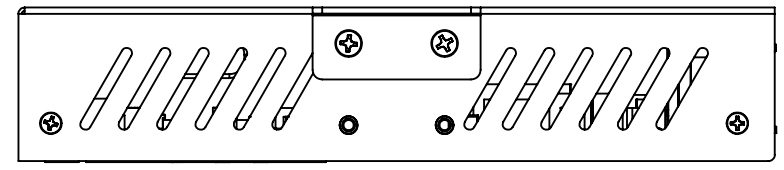
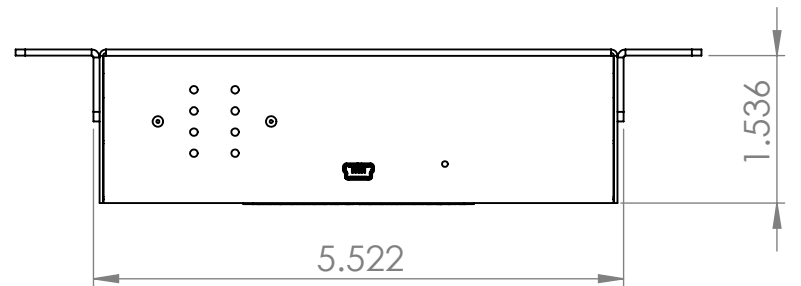
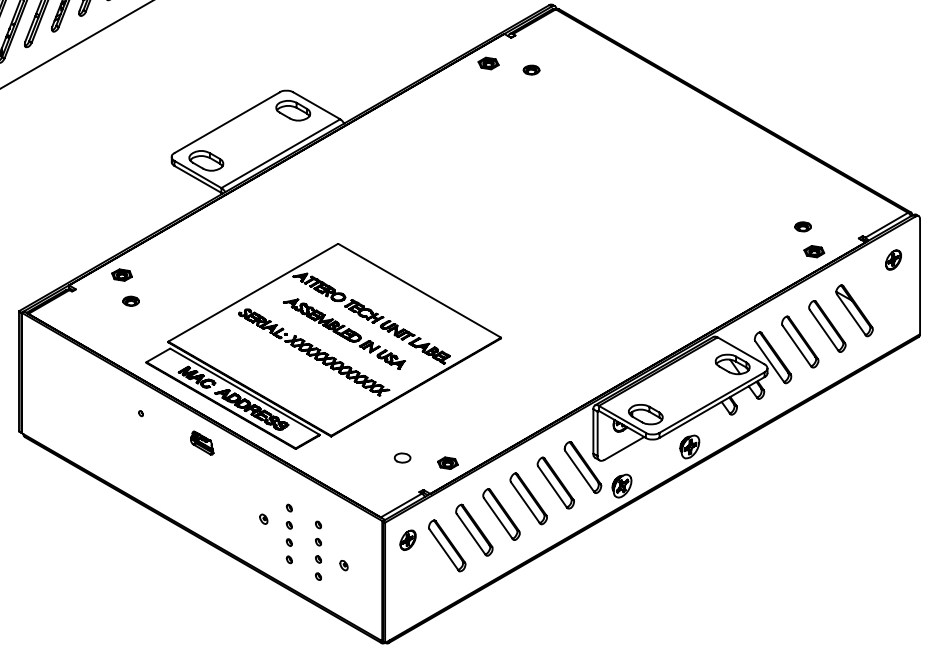
DETAIL A  
SCALE 1:1



A



A4FLEX MOUNTING  
TAB OPTIONS



<small>THE INFORMATION CONTAINED IN THIS DOCUMENT IS ISSUED IN STRICT CONFIDENCE AND SHALL NOT, WITHOUT PRIOR WRITTEN PERMISSION OF THE CLIENT BE REPRODUCED, COPIED OR USED FOR ANY PURPOSE WHATSOEVER AND MUST BE RETURNED UPON REQUEST.</small>	SIZE	CUST NO.	DWG. NO.	DOC REV.
	<b>B</b>		<b>711-00007-01</b>	<b>1.0</b>
SCALE	SHEET TITLE		SHEET	
<b>1:2</b>			<b>2 OF 2</b>	

4

3

2

1

B

B

A

A