

4

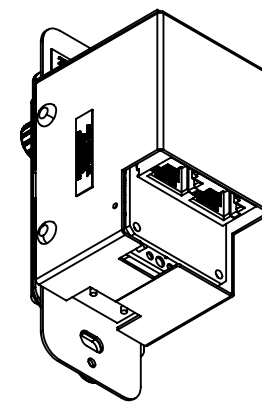
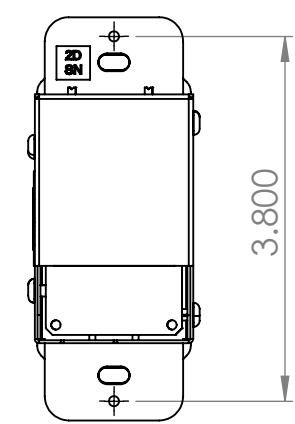
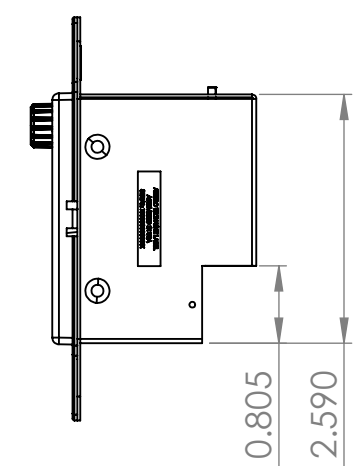
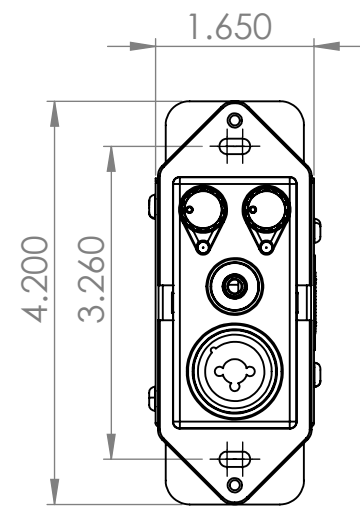
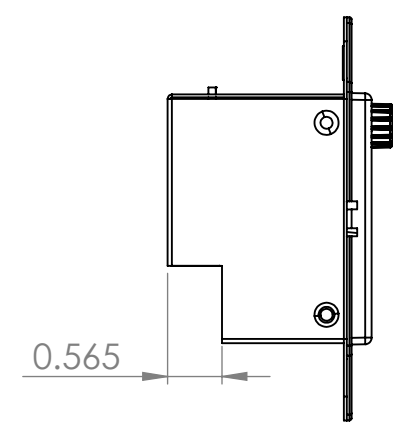
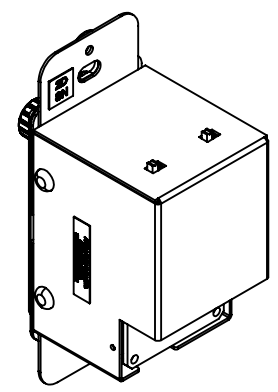
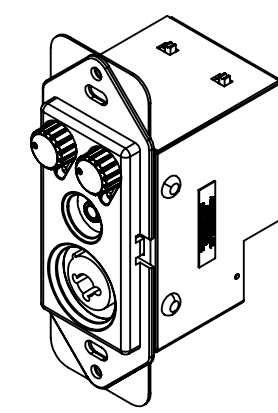
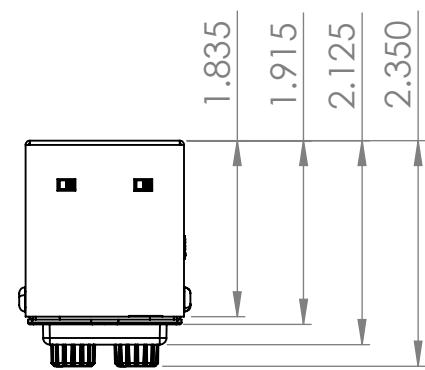
3

2

1

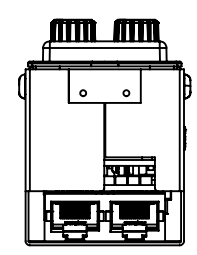
B


B



A

A



MATERIAL:		CLIENT NAME: (C) 2018 ATTEROTECH		
FINISH:		PART NO. 711-00009-01		
UNLESS OTHERWISE SPECIFIED: DIMENSIONS ARE IN INCHES TOLERANCE: ANGLE +/- 1 DEG X.XX= +/- 0.01" X.XXX= +/- 0.010" DO NOT SCALE DRAWING	DESIGNER MCH	DATE 12/6/2018	DESCRIPTION INST DWG, ATTERO TECH, AXIOM ML1, US	
	CUSTOMER	DATE		
THE INFORMATION CONTAINED IN THIS DOCUMENT IS ISSUED IN STRICT CONFIDENCE AND SHALL NOT BE REPRODUCED, COPIED OR USED FOR ANY PURPOSE WHATSOEVER AND MUST BE RETURNED UPON REQUEST.	MFG	DATE	SIZE B	CUST NO.
	APPROVED	DATE	DWG. NO. 711-00009-01	DOC REV. 1.0
			SCALE 1:1	SHEET TITLE
			SHEET 1 OF 1	

4

3

2

1