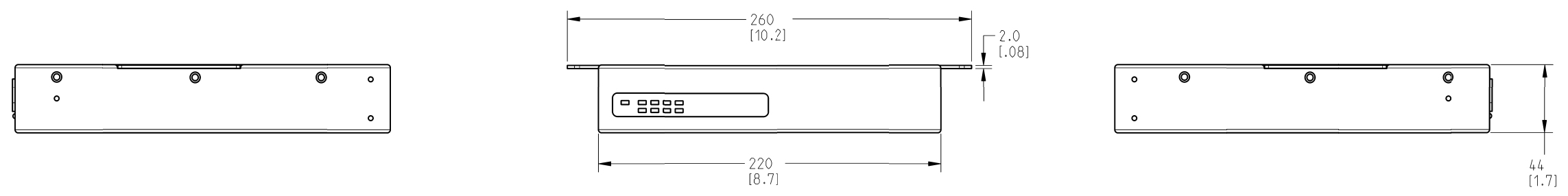
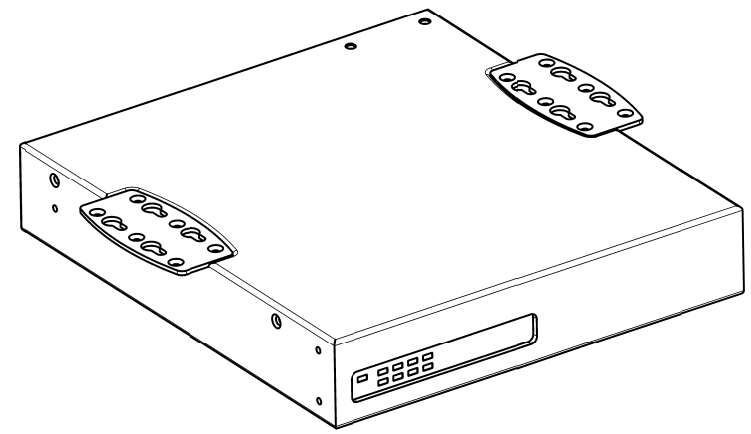
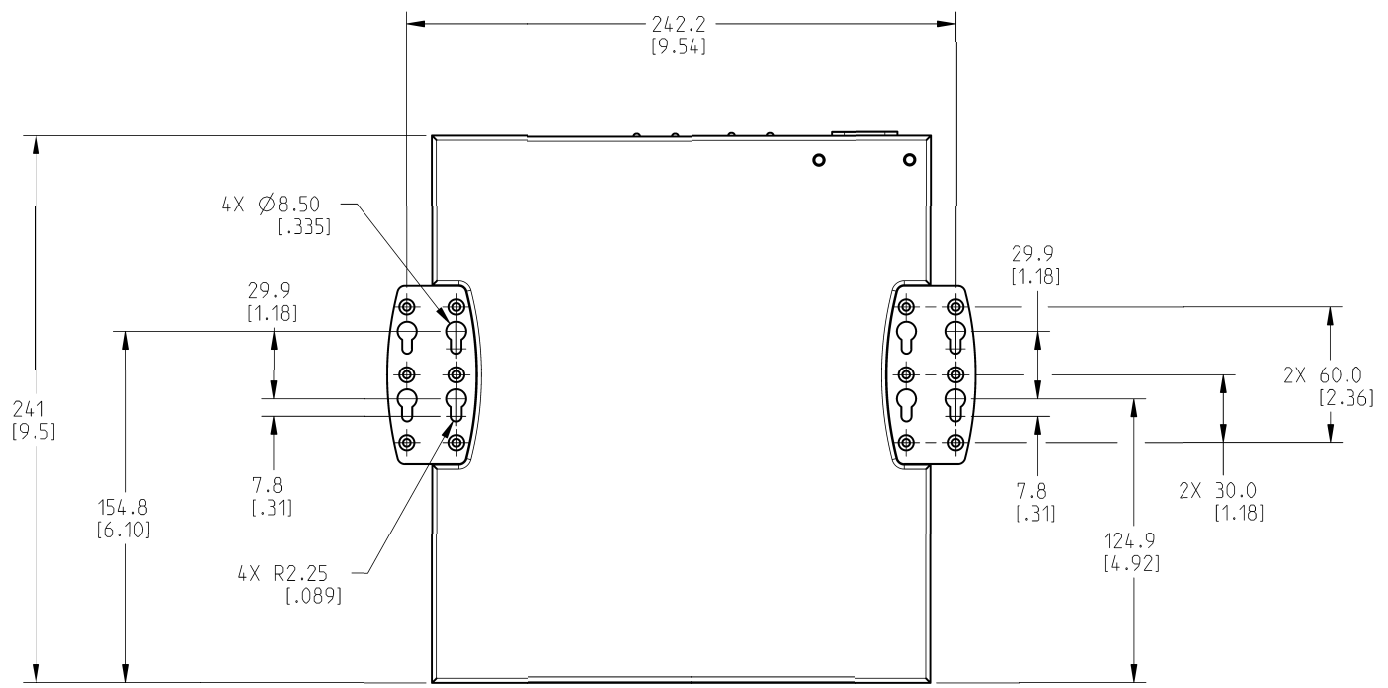
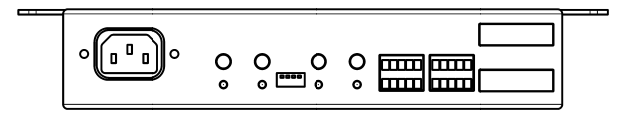


THIS DOCUMENT CONTAINS PROPRIETARY INFORMATION WHICH IS THE PROPERTY OF QSC AUDIO PRODUCTS. THAT MAY NOT BE DISCLOSED, REPRODUCED OR USED WITHOUT EXPRESS WRITTEN CONSENT FROM QSC AUDIO PRODUCTS.

REVISIONS			
REV	DESCRIPTION	BY	DATE
A	RELEASE FOR SALES AND MARKETING	SS	14-SEP-15



FRONT VIEW



REAR VIEW

5. MEETS UL2043 WITH PLENUM KIT FG-000995-00.
4. MEETS ENERGYSTAR REQUIREMENTS.
3. CHASSIS DESIGNED TO MEET 1U RACK MOUNT SPECIFICATION IEC60297-3-100.
2. FEATURES SYMMETRICAL ABOUT CENTERLINE.
1. NET WEIGHT OF SPA4-60 APPROX. 1.4 KG (4.0 LBS). HARDWARE IS ADDITIONAL WEIGHT.

NOTES: UNLESS OTHERWISE SPECIFIED.

UNLESS OTHERWISE SPECIFIED DIMENSIONS IN MILLIMETERS (IN) TOLERANCES ARE: DECIMALS .XX±.021 ANGLES .XX±.25(1.0°) ± 1/2 DEBURR EDGES .25 (.010) R MAX	DESIGNER ENGINEERING SERVICES	QSC AUDIO PRODUCTS, LLC 1675 MACARTHUR BOULEVARD COSTA MESA, CA 92626
	ENGINEER	
MATERIAL	TECHNICAL DIRECTOR	SPA4-60, SURFACE MOUNT
FINISH	MANUFACTURING ENGINEER	
SIZE	DRAWING INFO: FG-004404-2D-D.A.2	SIZE CAGE CODE DRAWING NO. REV D 00PW4 FG-004404-2D-D A
SCALE: 0.600	MODEL INFO: FG-004404-3D-D.A.2	SCALE: 0.600 DO NOT SCALE DRAWING SHEET 1 OF 1