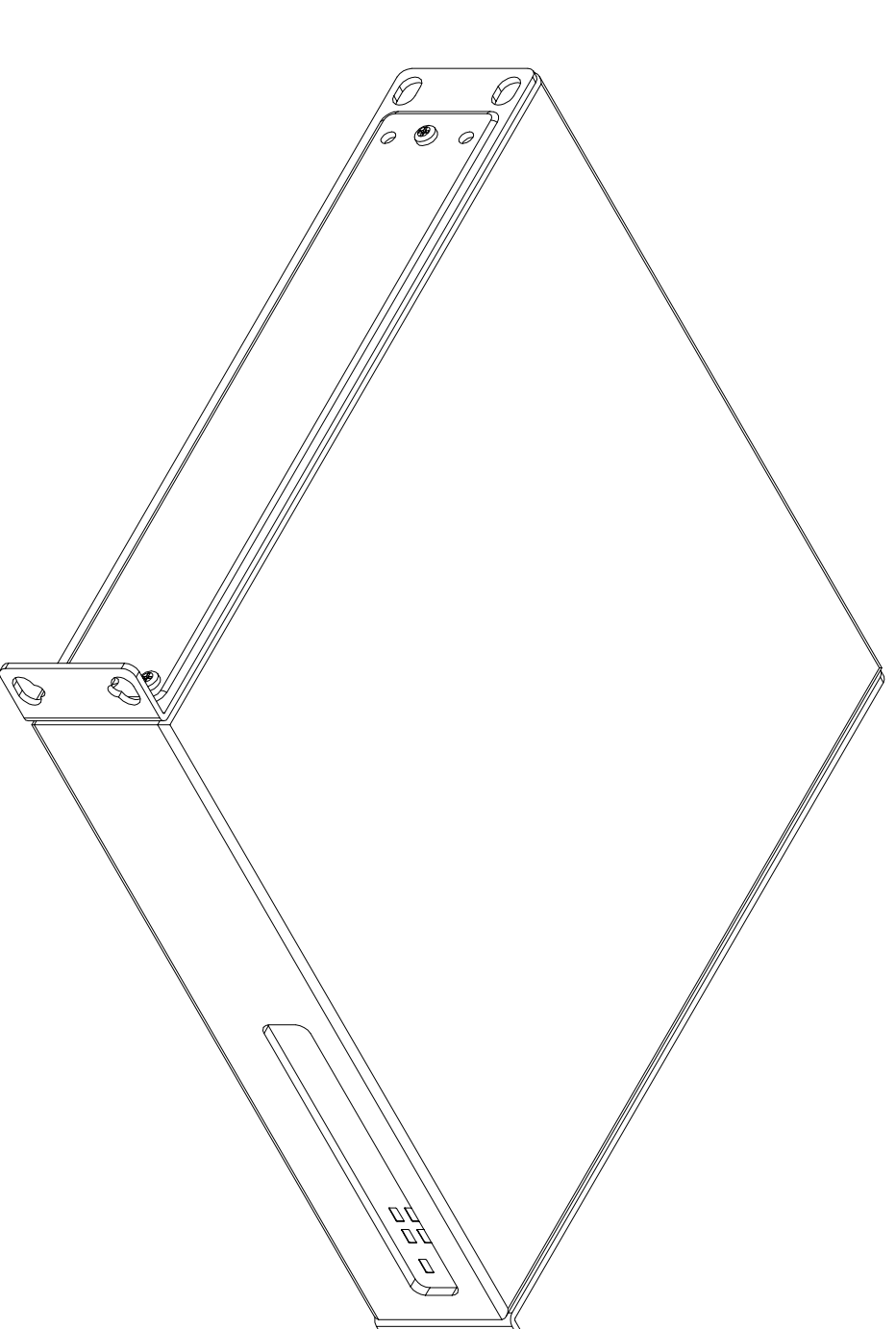
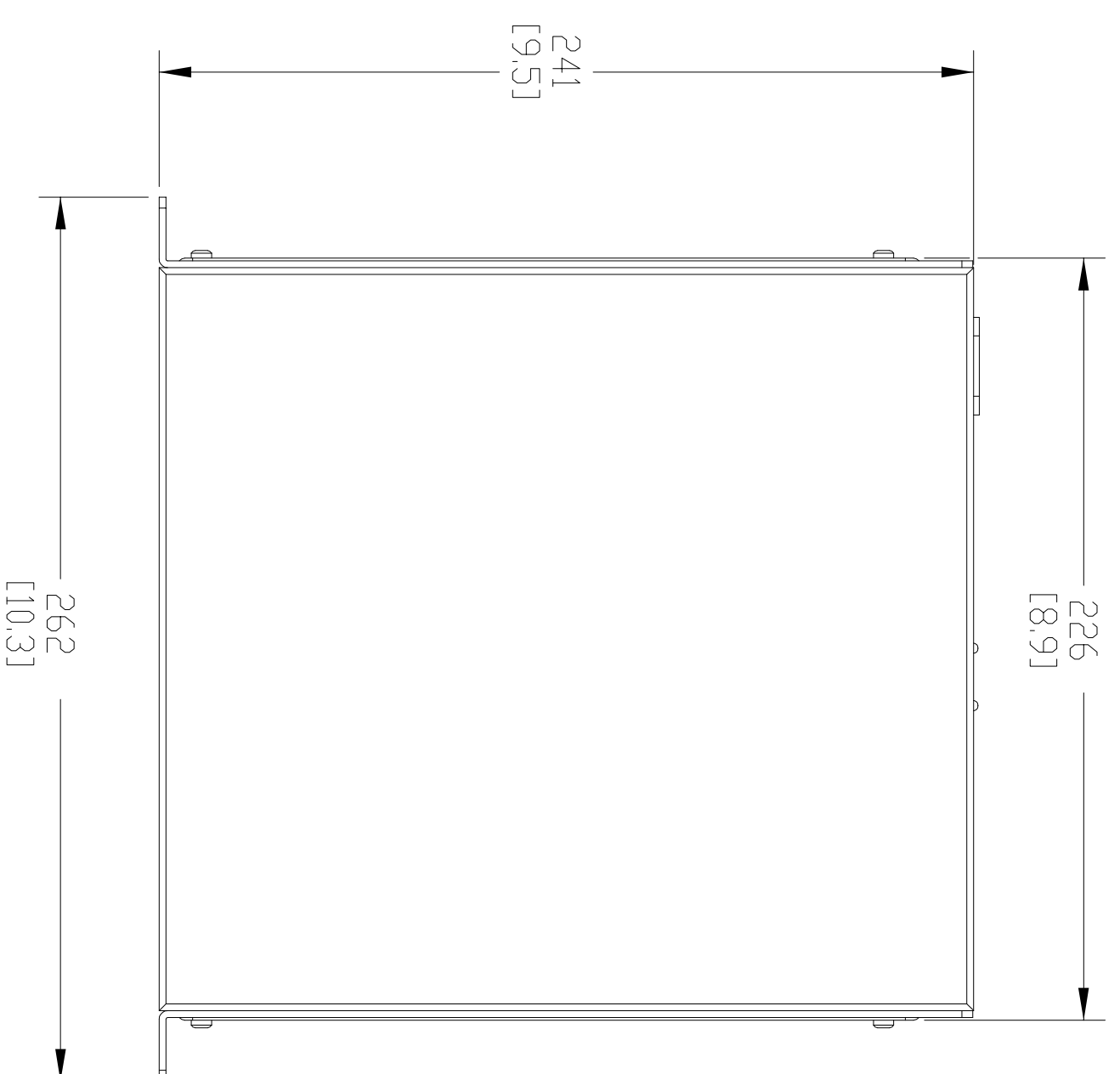
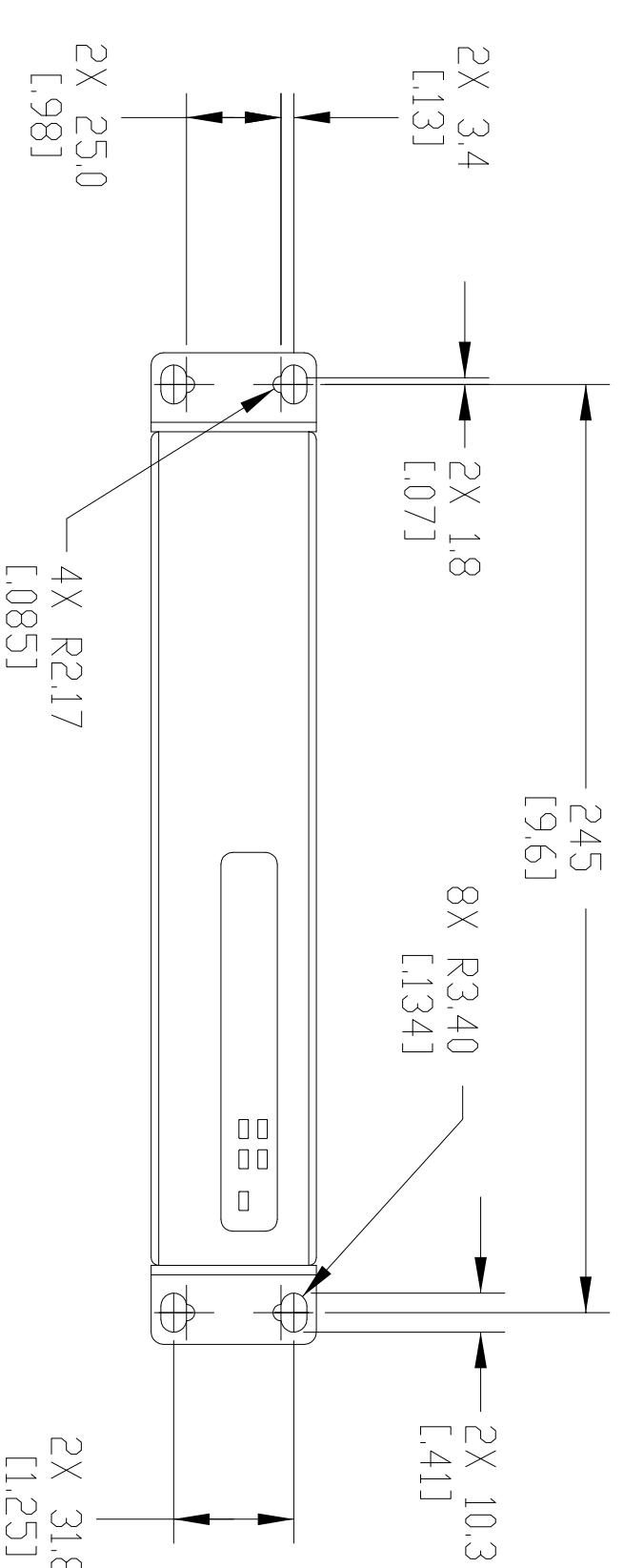
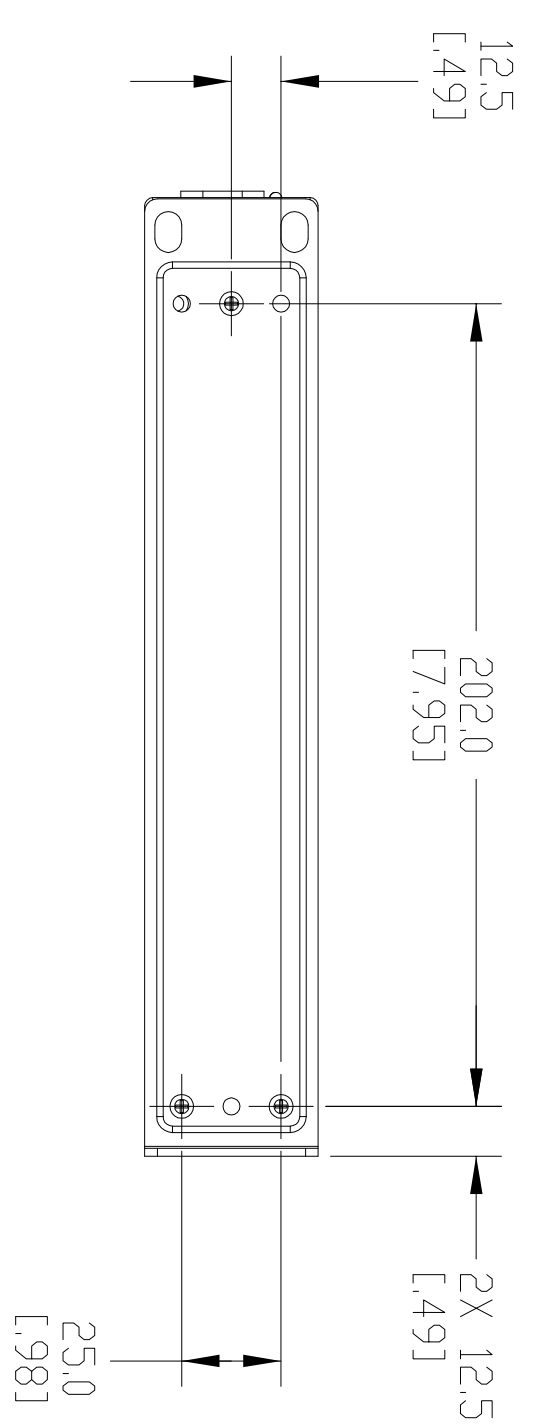


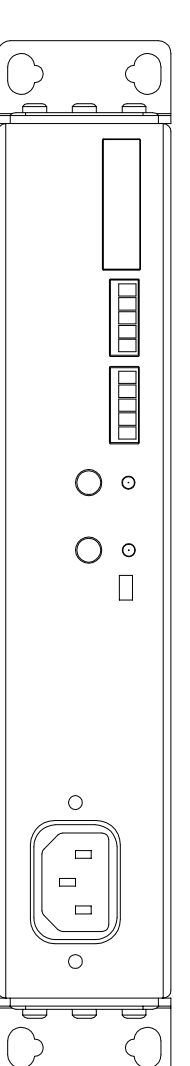
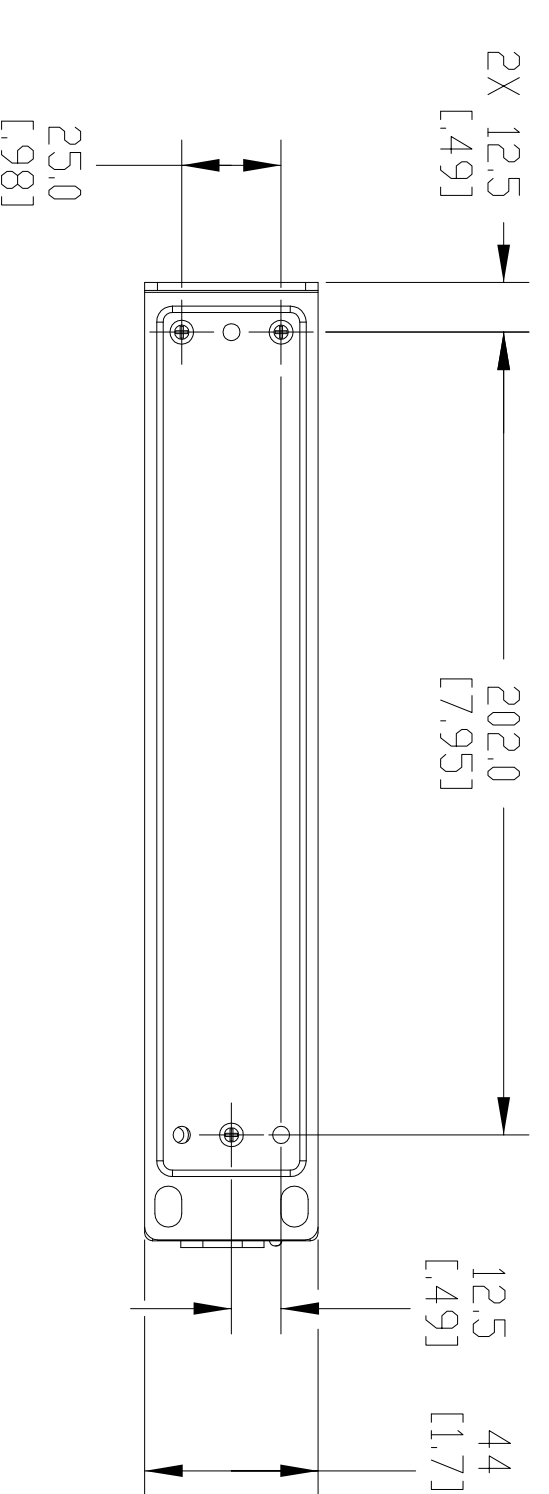
THIS DOCUMENT CONTAINS PROPRIETARY INFORMATION  
 WHICH IS UNCLASSIFIED AND UNCONTROLLED UNLESS  
 OTHERWISE INDICATED. IT IS THE PROPERTY OF QSC  
 AND MAY NOT BE DISCLOSED, REPRODUCED OR USED WITHOUT  
 EXPRESS WRITTEN CONSENT FROM QSC AUDIO PRODUCTS.



FRONT FACING OUT

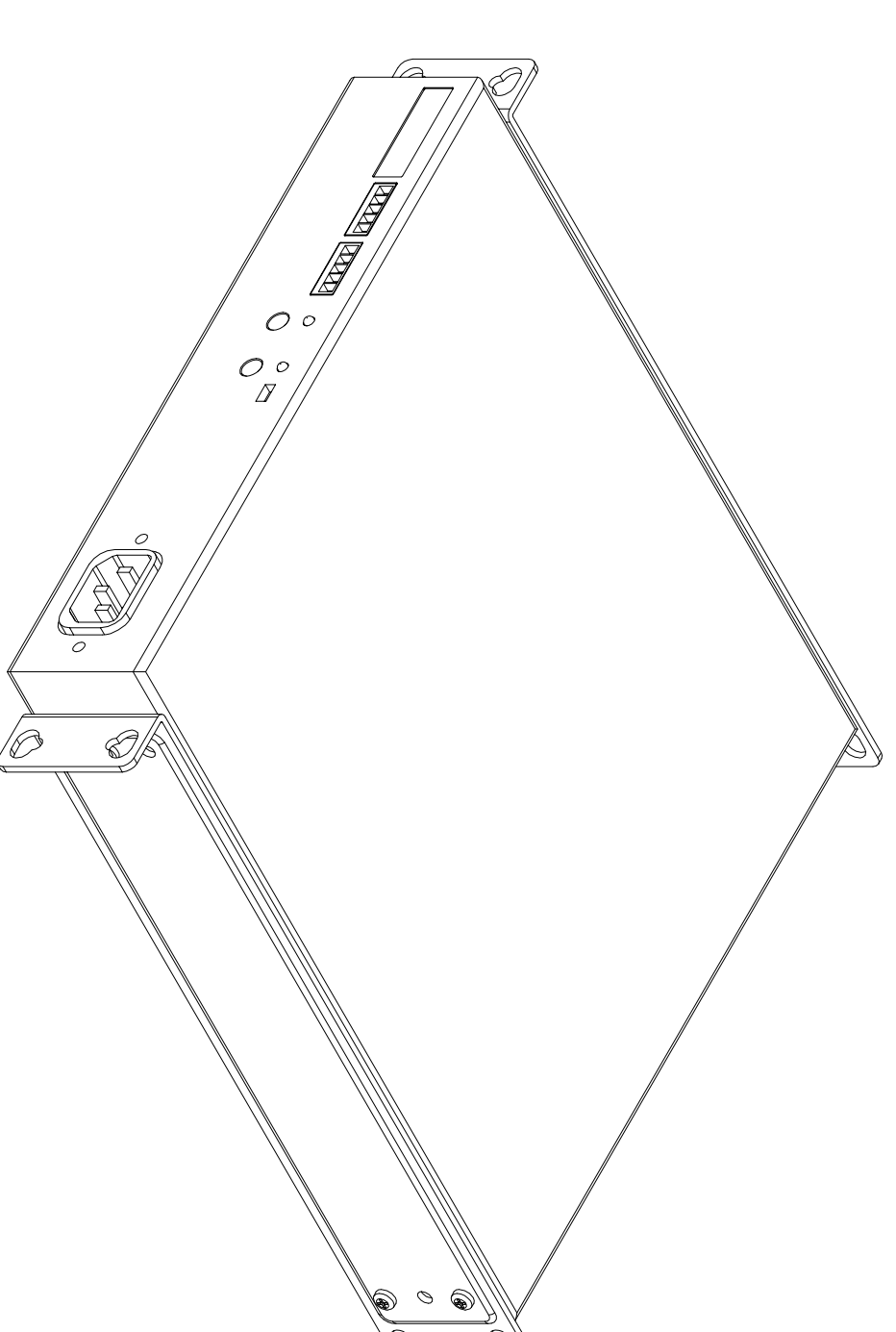


FRONT VIEW



REAR VIEW

REAR FACING OUT



6. THE FRONT MOUNTING CONFIGURATION IS DIMENSIONED. THE REAR MOUNTING CONFIGURATION IS SIMILAR.
5. MEETS UL2043 WITH PLENUM KIT FG-000995-00.
4. MEETS EMERGSTAR REQUIREMENTS.
3. CHASSIS DESIGNED TO MEET 1U RACK MOUNT SPECIFICATION IEC60297-3-100.
2. FEATURES SYMMETRICAL ABOUT CENTERLINE.
1. NET WEIGHT OF SPA2-200 APPROX. 11 KG (3.5 LBS). HARDWARE IS ADDITIONAL WEIGHT.

NOTES: UNLESS OTHERWISE SPECIFIED.

REV		REVISIONS	
REV	DESCRIPTION	BY	DATE

UNLESS OTHERWISE SPECIFIED, DIMENSIONS IN MILLIMETERS (IN)		DESIGNER	ENGINEERING SERVICES		<b>QSC AUDIO PRODUCTS, LLC</b> 1675 MACARTHUR BOULEVARD COSTA MESA, CA 92626
TOLERANCES ARE	ANGLES	ENGINEER	TECHNICAL DIRECTOR		
DECIMALS	FRACTIONS			<b>SPA2-60, HALF RACK MOUNT</b>	
X .30(2)	XX .25(0.01)			MANUFACTURING ENGINEER	
DANGER EDGES .25 (0.01) R MAX					
MATERIAL					
FINISH					
SIZE	CAGE CODE	DRAWING NO.	REV		
D	00P W4		A		
SCALE	0.500	DDI NOT SCALE	DRAWING SHEET	1	OF 1