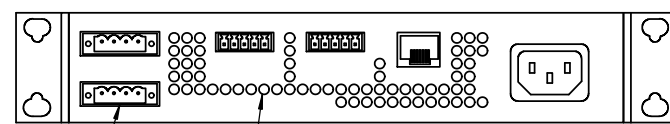
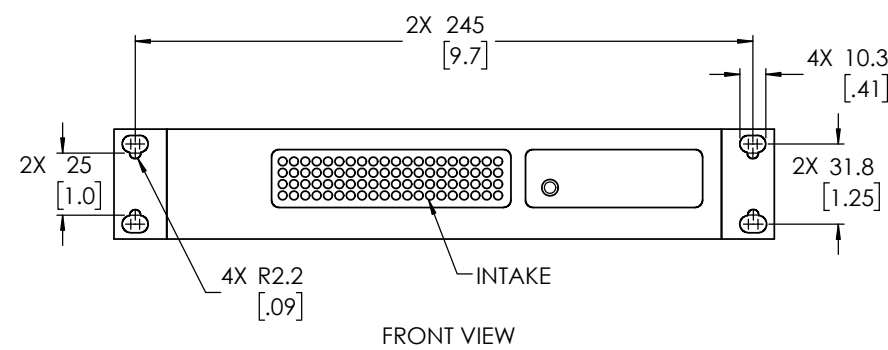
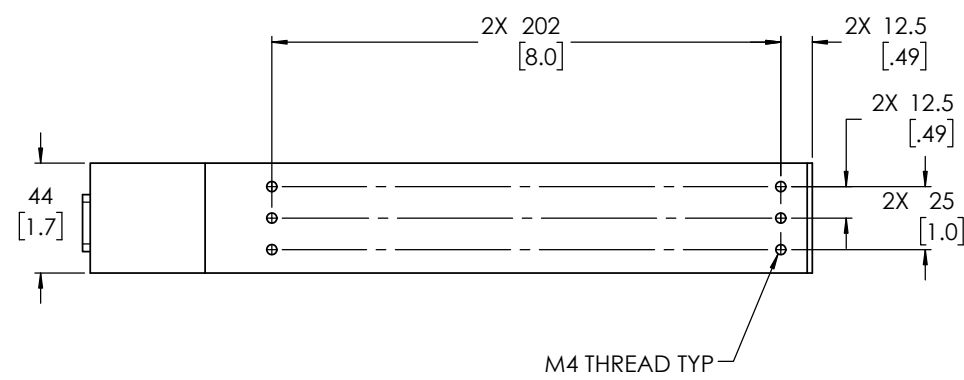
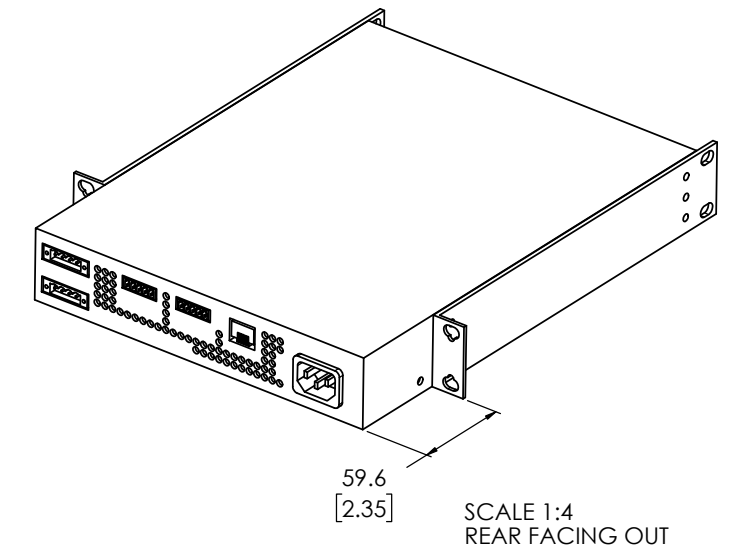
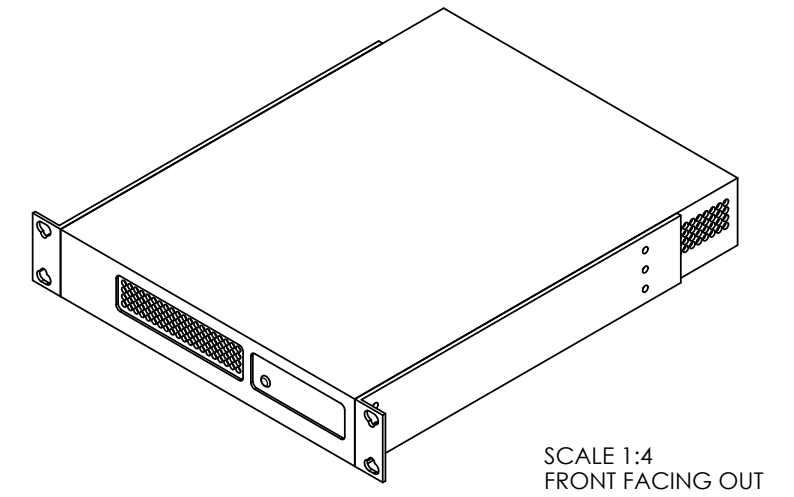
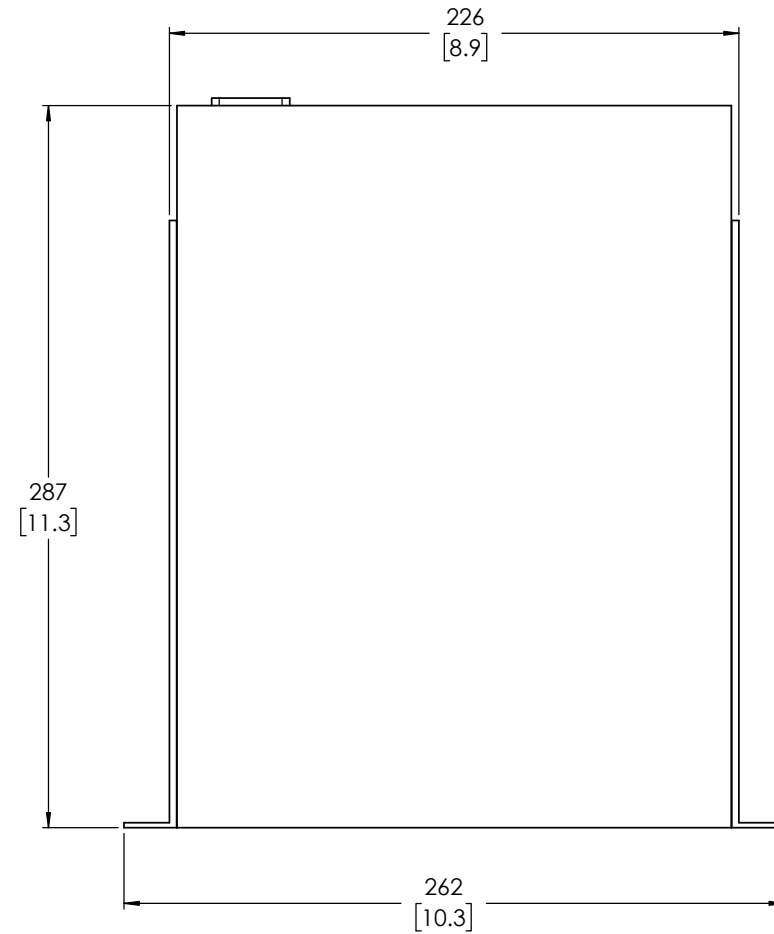


NOTES: UNLESS OTHERWISE SPECIFIED

- NET WEIGHT APPROXIMATELY 1.54 KG [3.4 LBS]. MOUNTING BRACKETS AND HARDWARE ARE ADDITIONAL WEIGHT.
- CHASSIS DESIGNED TO MEET 1U RACK MOUNT SPECIFICATION IEC60297-3-100.



THIS CONNECTOR IS ONLY AVAILABLE ON THE 4 CHANNEL MODEL

EXHAUST

VIEW A-A  
REAR VIEW