

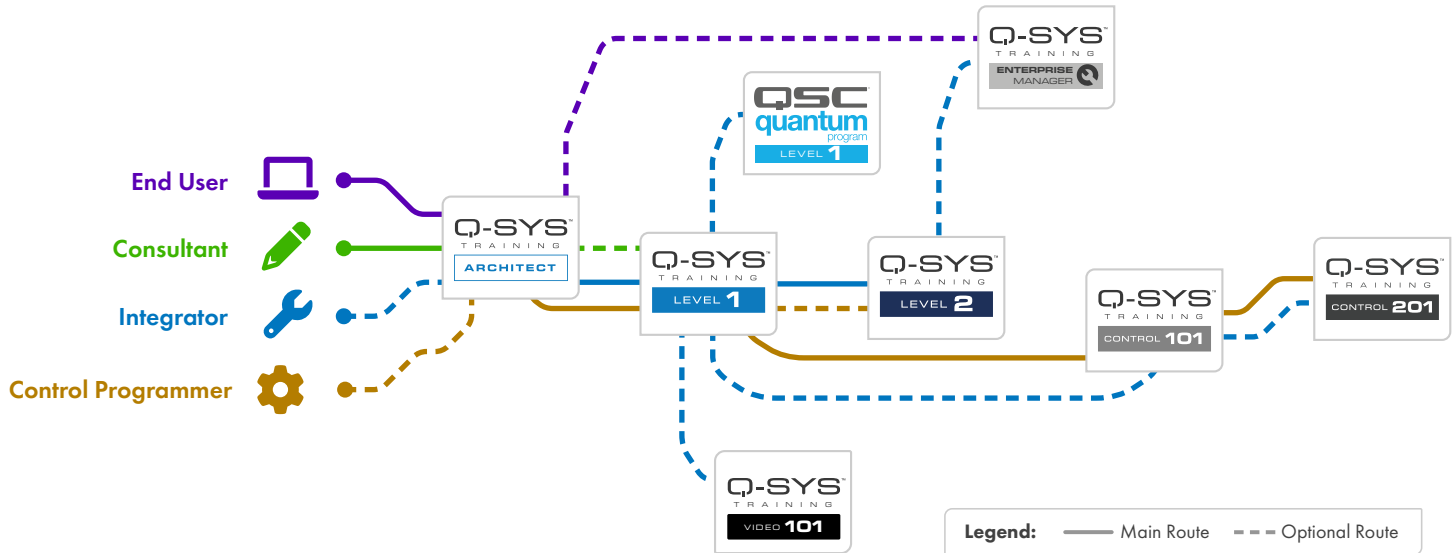
Q-SYS TRAINING - LEARNING MADE SIMPLE

We have created an award-winning training curriculum to ensure you get the most out of our innovative & powerful Q-SYS platform.



Q-SYS™ TRAINING

Choose the path to learn everything you need, to reach the expert level that's relevant to YOU!



Dedicated Sessions

We are also offering any of the listed webinars and in-class training as dedicated one-on-one company specific sessions, where we tailor the content explicit to your business focus.

If you would like to book a one-on-one session, please contact your sales manager.

Q-SYS™
TRAINING

ARCHITECT



Estimated completion time:
4 hours including breaks, in-class
(also available as LIVE webinar)

This pre-sales focused curriculum gives you a system-level view of Q-SYS, covering all aspects of the signal chain. You will gain general installation knowledge in order to be able to prepare integrators and consultants on different meeting room scenarios.

Curriculum:

- Corporate, higher education & large scale application examples
- Independent system design with in-room processing
- Large scale design with centralised processing

AVIXA
CTS **RU** Provider
2 units



Q-SYS Training Center in Weybridge, UK



**I JUST WANTED TO SAY THAT
YOUR KNOWLEDGE AND PRESENTATION WAS
EXCELLENT! VERY CLEAR AND
HELPFUL. I'VE RAN INTO SOME OF THE
ISSUES YOU DESCRIBED YEARS AGO WITH A
PARTICULAR ENTERPRISE INSTALL.
I WISH I COULD HAVE VIEWED YOUR
PRESENTATION YEARS AGO.**



Marty Koffler, CTS System Programmer

Q-SYS™
TRAINING

LEVEL **1**



Estimated completion time:

Approximately 8 hours, online
(also available as classroom course)

In this innovative, modular online course you'll learn the basics of designing a Q-SYS System while receiving an overview of Q-SYS Designer software in the context of a conference integration.

Curriculum:

- Q-SYS introduction, including hardware and software elements
- Telephony, AEC, and automatic mixing
- Designing user control interfaces
- Audio bridging via USB
- Creating a complete Q-SYS System for a conference area



Q-SYS™
TRAINING

LEVEL **2**



Estimated completion time:

16 hours (two classroom days)

Prerequisite:

Q-SYS Level 1 Training Certification

Q-SYS Level 2 Training builds on the learnings from Level 1 by providing a comprehensive hands-on experience of Q-SYS, teaching a wide variety of advanced processes and concepts.

Curriculum:

- Network setup
- Advanced UCI design
- Core-to-core streaming and control
- GPIO integration
- Wide area paging
- ... and more!





Estimated completion time:
4 - 5 hours, online

This is the perfect course for integrators looking to branch into control programming, or for programming experts who are looking to apply their knowledge specifically on Q-SYS. Control 101 introduces students to the fundamentals of programming and scripting.

Curriculum:

- Lua basics
- Plugin usage/Q-SYS Asset Manager
- Block Controller (visual programming tool)
- Control Components



Estimated completion time:
16 hours (two classroom days)
(also available as LIVE webinar)

Prerequisite:
Q-SYS Control 101 Training

Building upon lessons learned in Q-SYS Control Training 101, this course allows students to use custom controls, Lua scripting, and the Block Controller to connect to real third-party devices and manipulate their return strings. Each student will work on dedicated Q-SYS Core processors and control peripherals, as well as custom-made emulators designed specifically for this class.

Curriculum:

- Connecting to third-party devices (using command buttons, Lua TCP connection, and Block Controller)
- String manipulation
- Building arrays, timers, and other Lua examples





Estimated completion time:
4 - 5 hours, online

Prerequisite:
Q-SYS Level 1 Training

QSC Quantum Level 1 is an advanced troubleshooting and support training that will take you beyond the basics of system design and equip you with the right tools and insights to help customers solve some of the most challenging issues with existing system designs and installation.

Curriculum:

- Best practices in gain structure, AEC and EQ
- Diagnose advanced AV networking problems
- Advanced Video configuration (EDID)
- SIP & POTS Telephony troubleshooting



Estimated completion time:
Approximately 1 hour, online

Before you start taking full advantage of remote monitoring and management with Q-SYS Reflect Enterprise Manager, this course will take you through the initial setup process.

Curriculum:

- Understand the vastly simplified architecture of the new Q-SYS Reflect cloud infrastructure, and how it enables Enterprise Manager
- Learn to connect your entire Q-SYS system to Enterprise Manager
- Prep your network to enable Enterprise Manager
- Build simple connections for third-party devices using the onitoring ProxyWide area paging



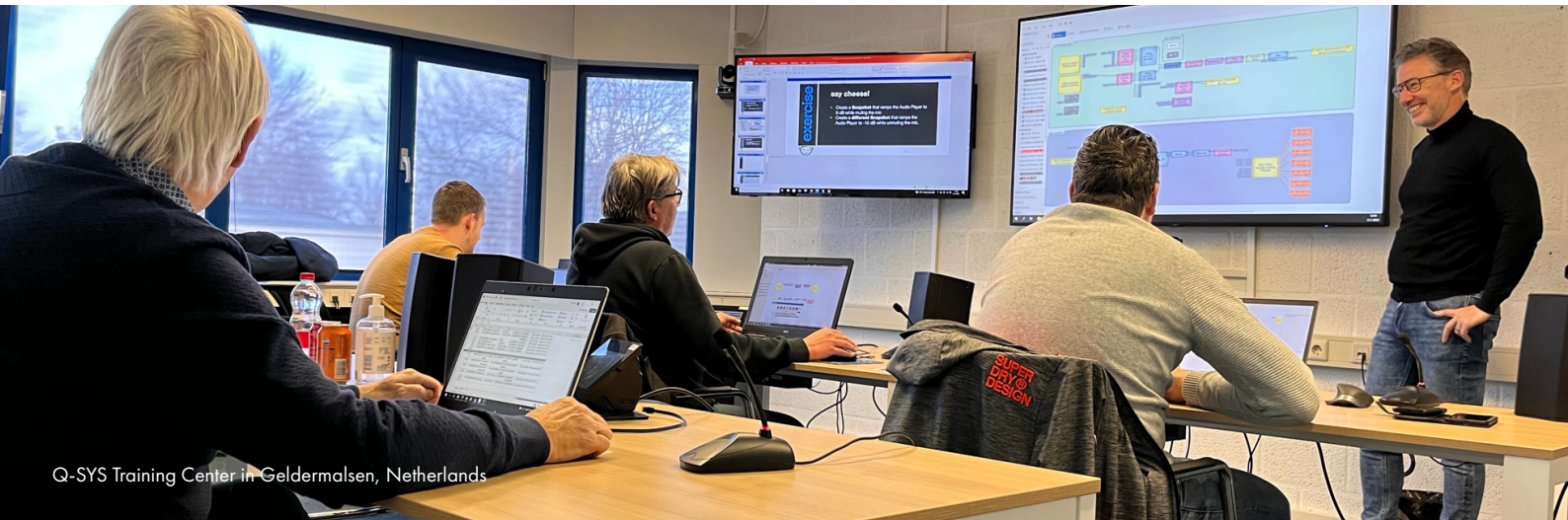
Learn how to distribute native HDMI video on Q-SYS. This training shows how to optimize your software-configurable NV Series network video endpoints for your meeting room.



Estimated completion time:
Approximately 1 hour, online

Curriculum:

- Fundamentals of streams, resolutions, EDID and HDCP
- Video wiring basics in Q-SYS Designer Software
- Decoupling/routing HDMI Audio
- Understanding NV Series (NV-32-H)
 - I/O capabilities & Shift Codec
 - Simultaneous video streams & web conferencing





Q-SYS Training Center
in Boulder, CO, USA

“

**IT IS ALWAYS GREAT TO EXPAND
YOUR KNOWLEDGE, SPECIFICALLY WHEN IT
IS ABOUT SUCH A GREAT
SYSTEM FROM Q-SYS. THANKS FOR
A GREAT TRAINING SESSION.**

”

Milos Dmitrovic, AV Designer at MONO AV

“

**I HAD SUCH A GOOD LEARNING
EXPERIENCE. THANK YOU GUYS, YOU
WERE AMAZING!**

”

Suraj Amunra, Amunra Productions



Q-SYS Training Center
in Bangalore, India



get certified today at training.qsys.com

